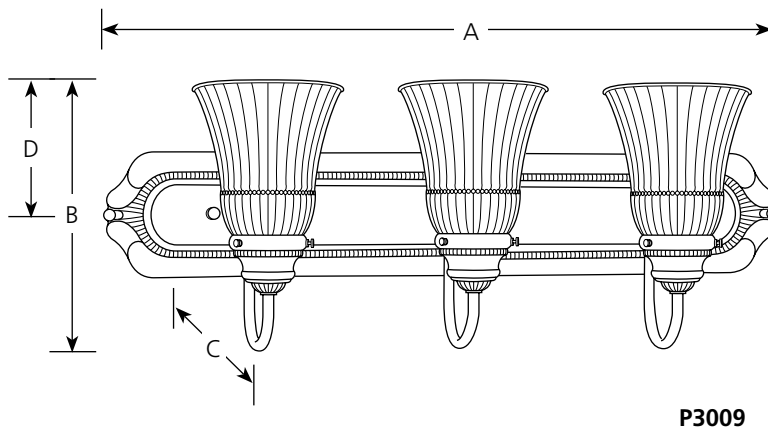
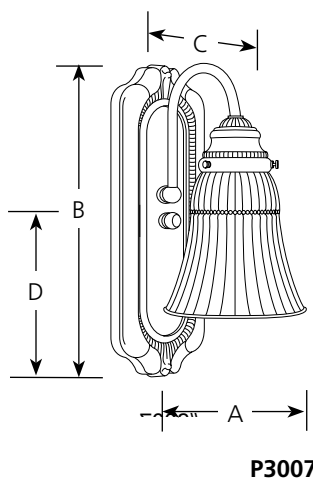


Type	-37	-43	-77
P3007	<input type="checkbox"/>	<input type="checkbox"/>	<input type="checkbox"/>
P3008	<input type="checkbox"/>	<input type="checkbox"/>	<input type="checkbox"/>
P3009	<input type="checkbox"/>	<input type="checkbox"/>	<input type="checkbox"/>
P3010	<input type="checkbox"/>	<input type="checkbox"/>	<input type="checkbox"/>

Catalog No.	Finish			Lamping	Dimensions (Inches)			
	Burnished Brass	Colonial Silver	Forged Bronze		A	B	C	D
P3007	-37	-43	-77	1 (m) 100w	4-3/4	12	6-3/4	6
P3008	-37	-43	-77	2 (m) 100w	18	9-1/4	6-3/4	4-3/4
P3009	-37	-43	-77	3 (m) 100w	24-1/2	9-1/4	6-3/4	4-3/4
P3010	-37	-43	-77	5 (m) 100w	37	9-1/4	6-3/4	4-3/4



Specifications:

General

- Etched patterned glass
- Full length backplate
- Detailed stamped full cover plate and socket cups
- Glass can be mounted in up or down position
- Plated burnished brass or colonial silver with brass highlighted finishes
- Painted forged bronze finish
- Forged Bronze finish is on steel. Burnished Brass and Colonial Silver is solid brass
- Companion fixtures: Chandeliers, hall and foyer, wall bracket, close to ceiling, and pendant

Mounting

- Wall mount
- Glass is retained with fitter screws
- Canopy Covers a standard 4" octagonal recessed outlet box
- Mounting strap for outlet box included

Electrical

- Ceramic medium base sockets
- Pre-wired

Labeling

- UL-CUL listed