

PFAAV6T

Air Admittance Valves



Product Features

- Rated 6 DFU's for venting DWV 2" and smaller
- Includes 1-1/2" polypropylene tubular adapter
- Unique technology opens at -0.01 psi and seals at 0 psi and above
- Screening on air inlets to guard the seal
- Protective rubber sleeve provides grip for installation and keeps valve free from debris
- 100% functionally tested at 1/4" H₂O and 30" H₂O ensuring trouble free performance
- Limited Lifetime Warranty

Model Numbers

- | | |
|----------|---|
| PFAAV6T | 6 DFU AAV with 1-1/2" white tubular Adapter |
| PFAAV6TA | 6 DFU AAV with 1-1/2" black tubular Adapter |

General Specifications

An air admittance valve shall be acceptable as a vent termination for any individual vent, common vent, circuit vent, loop vent, island fixture vent, vent stack or stack vent that is provided to prevent siphonage of a fixture trap. An air admittance valve is used as an alternative to secondary venting through the roof open to atmosphere.

The purpose of an air admittance valve is to provide a method of allowing air to enter the plumbing drainage system without the use of a vent extended to open air and to prevent sewer gases from escaping into a building. An air admittance valve is a one way valve designed to allow air to enter the plumbing drainage system when negative pressures develop in the piping system. The device shall close by gravity and seal the vent terminal at zero differential pressure (no flow conditions) and under positive internal pressures.

Product Location Specifications

- Should be located a minimum of 4" above the weir of fixture trap for single fixture and branch venting and 6" above flood level of highest fixture for stack venting
- Each valve should be installed in an accessible location



Installation

- Read installation instructions prior to use of this product. Always consult local plumbing codes prior to installing an AAV. Individual, branch and circuit vents are permitted to terminate with a connection to an AAV.
- The AAV will only vent fixtures that are on the same floor and connect to a horizontal branch drain. The horizontal branch drain shall connect to the drainage stack a maximum of four branch intervals from the top of the stack. AAV should be located within the maximum developed length permitted for the vent. AAV must be located a minimum of 4 inches above the horizontal board and 6 inches above any insulation material and within 15 degrees of vertical.
- Every structure in which plumbing is installed shall have at least one primary stack vent. The stack vent should run as directly as possible from the building drain through to the open air.
- Apply pipe joint compound or thread seal tape to the male threads of the valve. **Remove protective rubber sleeve after installation.**
- Valves are intended for installation in the confines of a structure, cannot be exposed to outside elements and are intended for use between -40° F and 150° F. AAVs must be accessible for inspection and service.



Distributed Exclusively by Ferguson and Wolseley Canada

PFAAV6T

Air Admittance Valves



PART	MATERIALS
A	PVC valve with unique seal technology
B	Polypropylene tubular adapter

Warranty

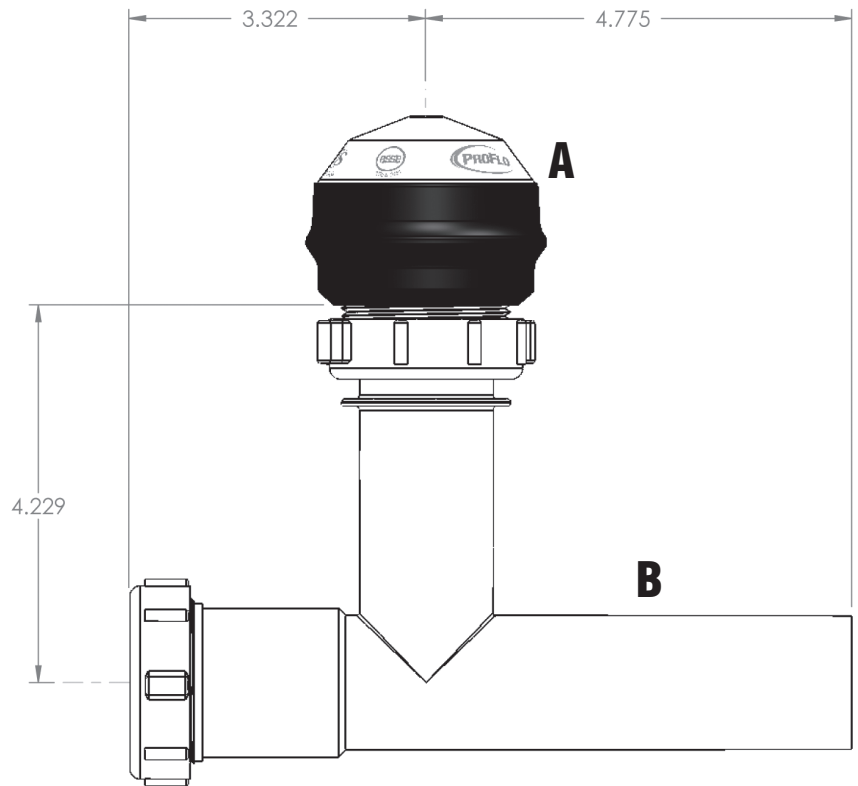
This PROFLO product carries a limited lifetime warranty

Performance Standards

ASSE 1050 & 1051
ICC ESR - 1664
NSF Standard 14
IAPMO - classified mark
ASTM F-409

Code Approvals

International Plumbing Code (IPC) 2003
International Residential Code (IRC) 2003



All dimensions in inches.



Distributed Exclusively by Ferguson and Wolseley Canada