

PF1704BB/PF1712BB

Two-Piece "Elementary" Toilet Vitreous China



Product Features

- Two-piece vitreous china
- 10-1/4" high bowl
- 10" Rough-in
- 3" Flush valve
- Gravity fed (1.6gpf/6.0Lpf)
- Siphon Jet Technology
- Close coupled tank with cover
- Sanitary bar
- Quick connect, 2 bolt tank to bowl installation
- Seat and supply not included
- Anti-siphon fill available

Codes and Standards

- IAPMO/UPC
- ASME A112.19.2
- CSA



PF1704BBWH/PF1712BBWH

Technical Information

Fixture:	
Configuration	two-piece toilet
Water per flush	1.6 gpf/6.0 lpf
Spud size	N/A
Trapway	2" fully glazed
Water area	8-1/2" X 6-1/2"
Seat post hole centers	5-1/2"

Specified Model

Model	Model Description	Color Finishes
PF1704BB	RF Bowl only, 10-1/4" high	○ White (WH)
PF1712BB	Tank only 10" RI for PF1704BB	○ White (WH)



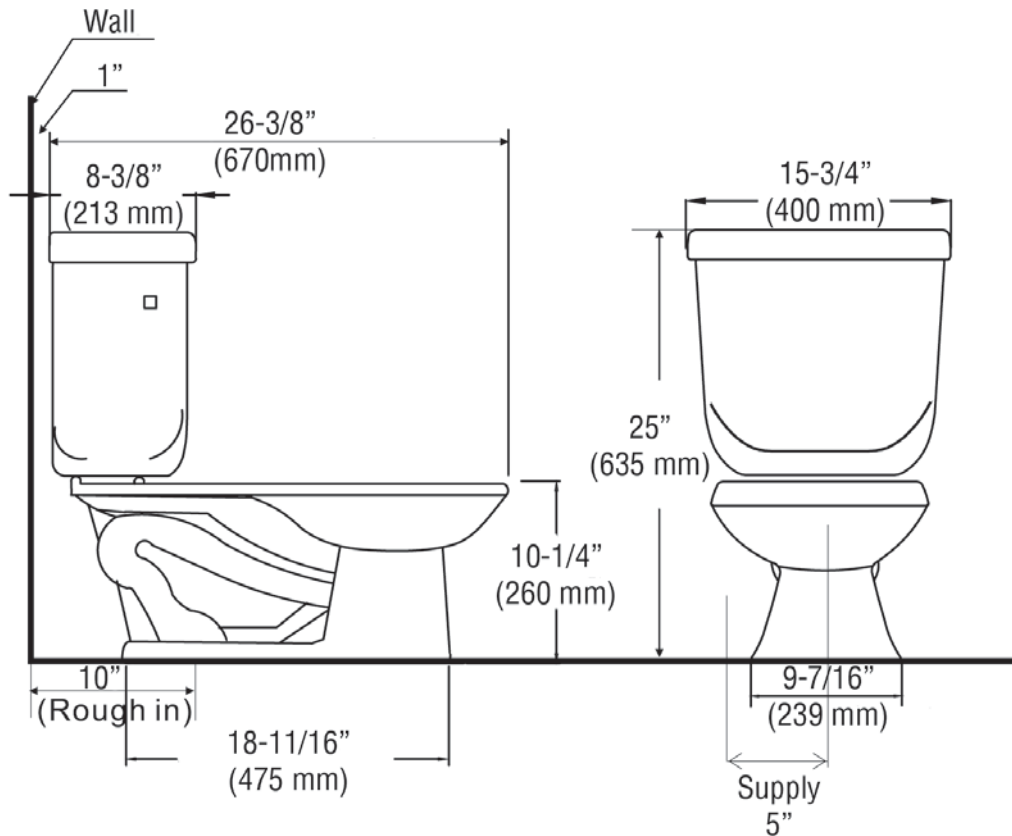
PF1704BB/PF1712BB



Two-Piece "Elementary" Toilet Vitreous China

Product Specification:

The combination toilet shall be made of vitreous china. Toilet shall be 1.6 gpf (6.0 lpf). Toilet shall have 2" (5.1 cm) glazed trapway. Toilet shall be less seat and supply.



Warranty and Codes:

These products come complete with installation, operating, care and maintenance instructions. All PROFLO fixtures carry a 1- year limited warranty. These products meet or exceed ASME/ANSI A112.19.2M. In an effort to continually improve our products, FEI will make design changes from time to time. We reserve the right to ship newly designed product to fill any order unless we agree in writing to do otherwise.

