

PF1815



High Efficiency Urinal Siphon-jet, Rear Outlet

Product Features

- Vitreous china
- High efficiency urinal (HEU)
- Siphon-jet flushing
(0.5 gpf - 1.0 gpf / 1.9 lpf - 3.8 lpf)
- 3/4" top inlet spud
- 2" NPT inside thread outlet
- Integral flushing rim
- Integral trap
- Hanging bracket included
- Flush valve not included



PF1815WH

Codes and Standards

- ADA
- IAPMO/UPC
- ASME A112.19.2
- CSA

Technical Information

Fixture:	
Configuration	Siphon-jet urinal, rear outlet
Water per flush	0.5gpf-1.0gpf/1.9lpf-3.8lpf
Spud size	3/4" top
Passageway	2" female outlet

Included Components

- Mounting brackets

Specified Model

Model	Model Description	Color Finishes
PF1815WH	Siphon-jet 3/4" top spud	○ White



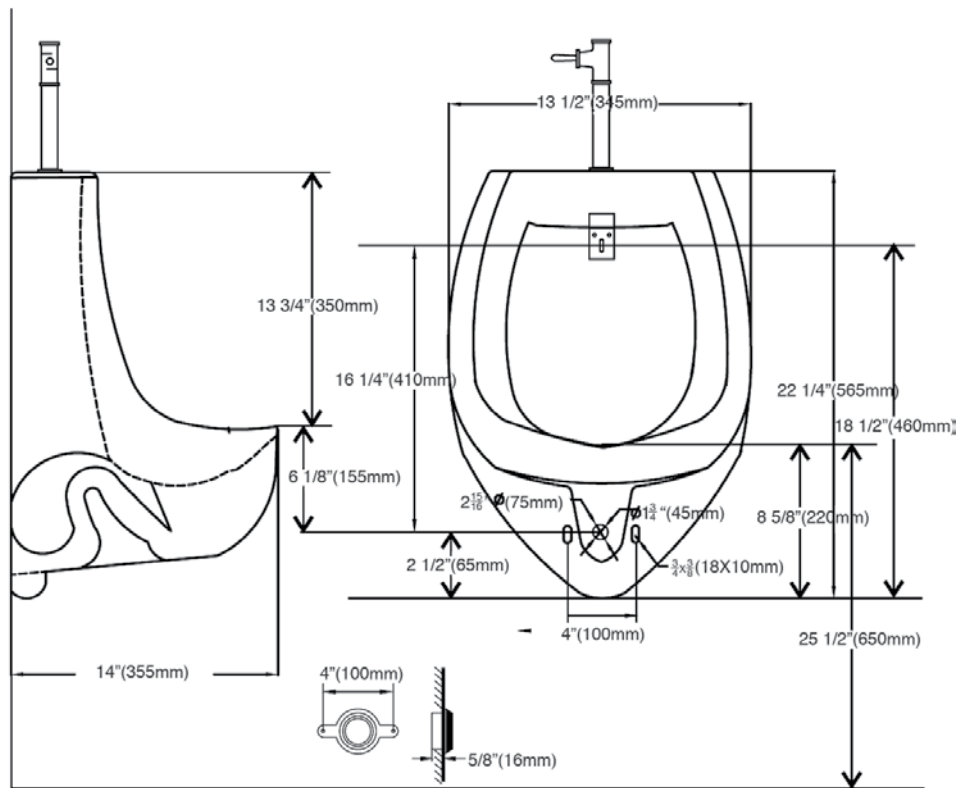
PF1815



High Efficiency Urinal Siphon-jet, Rear Outlet

Product Specification:

Siphon jet urinal shall be made of vitreous china with a 3/4" top spud. Urinal shall include inlet and outlet spuds and brackets. Urinal shall use 0.5 gpf - 1.0 gpf (1.9 lpf - 3.8 lpf). Urinal shall be PROFLO model PF1815. Recommended working pressure between 25 and 80 psi. Provide suitable reinforcement for wall support.



Warranty and Codes:

This product comes complete with installation, operating, care and maintenance instructions. All PROFLO fixtures carry a 1-year limited warranty. This product meets or exceeds ASME/ANSI A112.19.2M. In an effort to continually improve our products, we will make design changes from time to time. We reserve the right to ship newly designed product to fill any order unless we agree in writing to do otherwise. Meets the Americans Disabilities Act guidelines and ANSI A11.17.1 when installed to 17" height from finished floor.

