



Model 120190

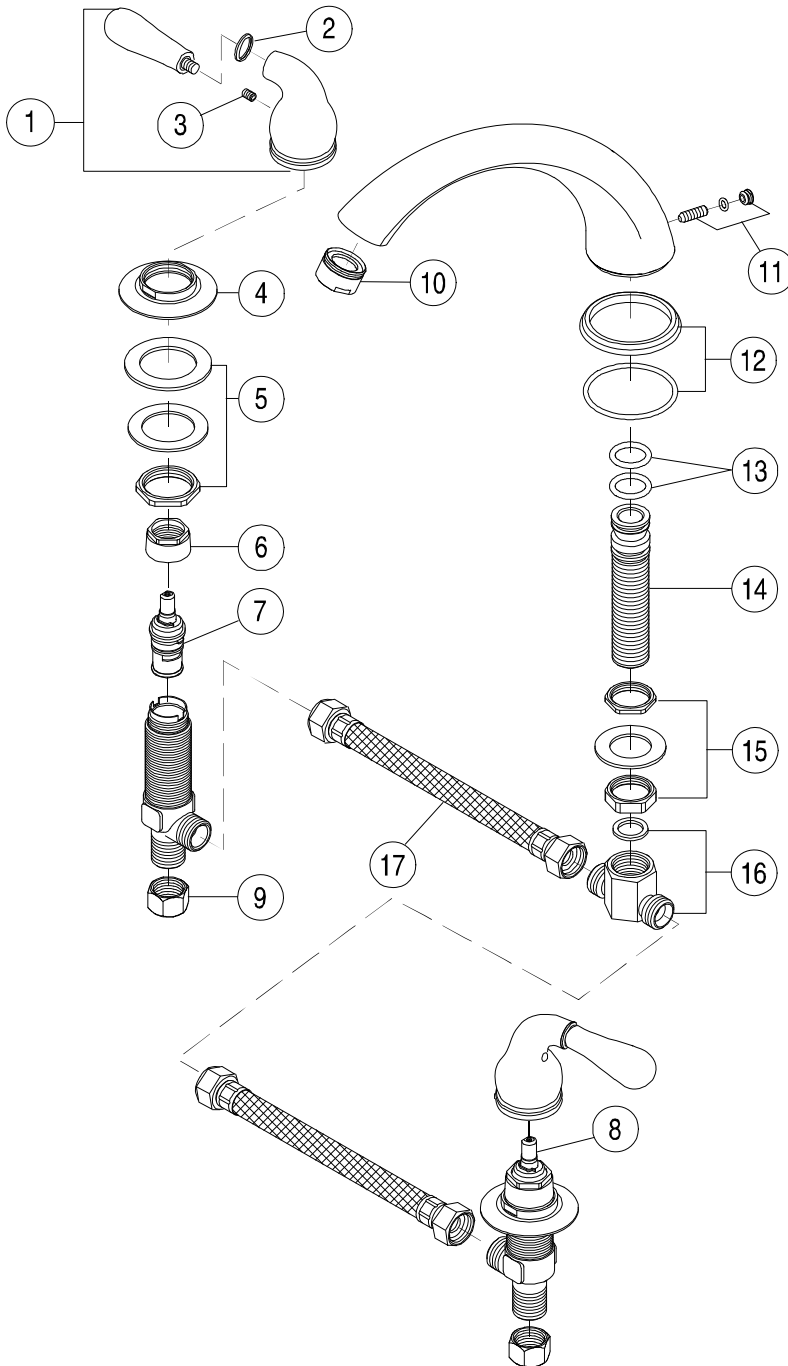
Twin Lever Handle Widespread Roman Tub Faucet
Chrome Plated Finish With Polished Brass Accents
1/2" IPS Connection

Sanibel™



Model 120190

Refer to Premier Faucet Parts List Sheet for part numbers and ordering information.



For additional information contact Premier Faucet at 866-745-4010 or visit our website at www.premierfaucet.com



Model 120190

Twin Lever Handle Widespread Roman Tub Faucet
Chrome Plated Finish With Polished Brass Accents
1/2" IPS Connection

Sanibel™



Model 120190

Refer to Premier Faucet Parts Schematic Sheet for parts diagram.

INDEX	DESCRIPTION	MATERIAL	QTY	PART NO
1	HANDLE ASSEMBLY	BRASS	2	994638
2	INDEX RINGS	PLASTIC	2	994208
3	HANDLE SCREW	STAINLESS STEEL	2	994197
4	DECK ESCUTCHEON	BRASS	2	994394
5	INSTALLATION KIT	BRASS	2	994275
6	BONNET NUT	ZINC	2	994316
7	CARTRIDGE - HOT	CERAMIC	1	133508
8	CARTRIDGE - COLD	CERAMIC	1	133509
9	COUPLING NUT	BRASS	2	133838
10	AERATOR	BRASS	1	144208
11	SPOUT SCREW ASSEMBLY	STAINLESS STEEL	1	994512
12	SPOUT ESCUTCHEON ASSY	BRASS	1	994449
13	O-RING	RUBBER	2	994541
14	SPOUT SHANK	BRASS	1	994510
15	INSTALLATION KIT	BRASS	1	994274
16	TEE CONNECTOR ASSY	BRASS	1	994592
17	HOSE	NYLON	2	994565

For additional information contact Premier Faucet at 866-745-4010 or visit our website at www.premierfaucet.com