



Model 120130

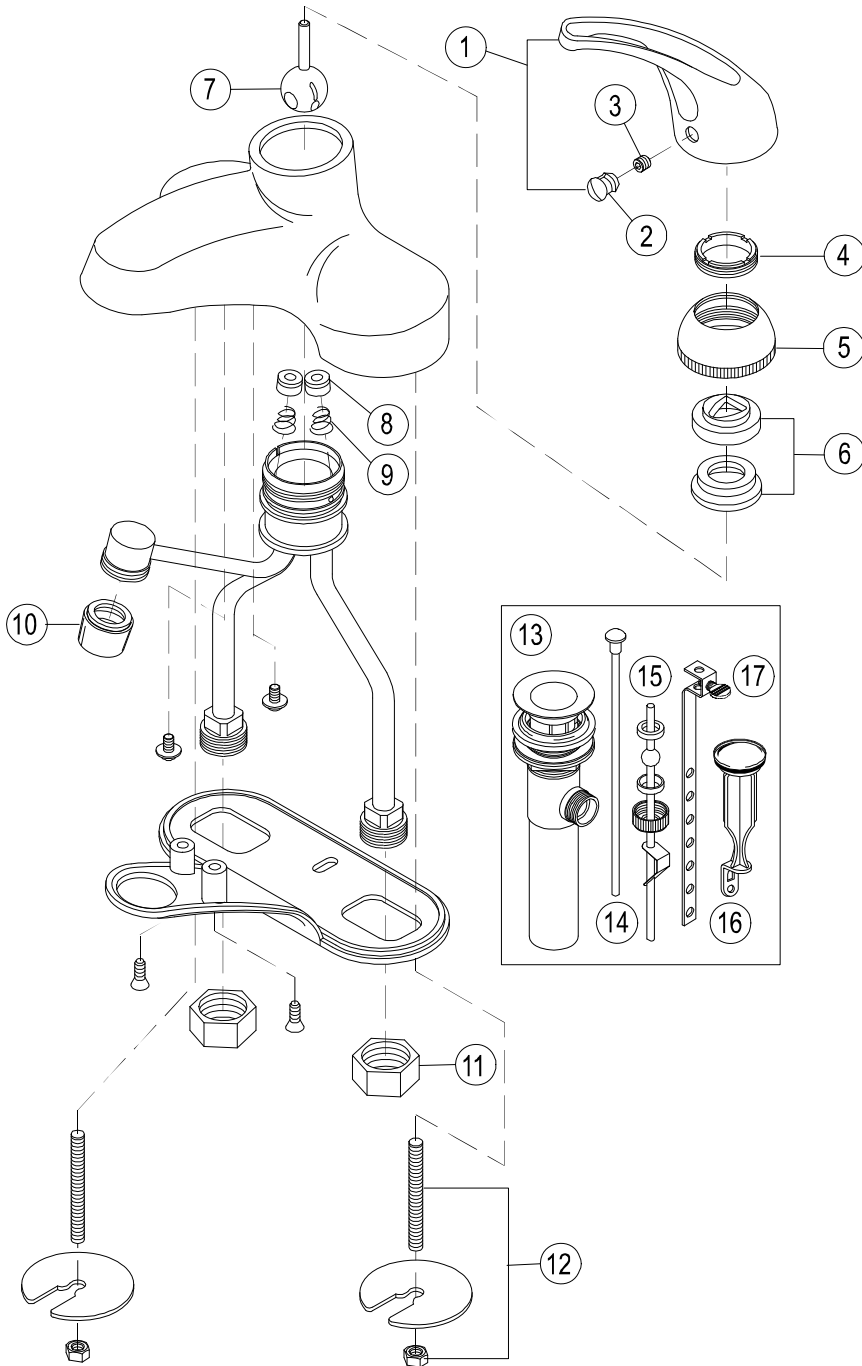
Single Loop Handle Lavatory Faucet
Chrome Plated Finish
With Brass Pop-Up
1/2" IPS Connection

Bayview™



Model 120130

Refer to Premier Faucet Parts List Sheet for part numbers and ordering information.



For additional information contact Premier Faucet at 866-745-4010 or visit our website at www.premierfaucet.com



Model 120130

Single Loop Handle Lavatory Faucet
Chrome Plated Finish
With Brass Pop-Up
1/2" IPS Connection

Bayview™



Model 120130

Refer to Premier Faucet Parts Schematic Sheet for parts diagram.

INDEX	DESCRIPTION	MATERIAL	QTY	PART NO
1	HANDLE ASSEMBLY	METAL	1	994150
2	INDEX PLUG	PE	1	994202
3	HANDLE SCREW	STAINLESS STEEL	1	994197
4	TENSION RING	BRASS	1	133593
5	CAP	ZINC	1	133625
6	CAM & PACKING	POM & BUNA-N	1	133577
7	BALL	STAINLESS STEEL	1	133437
8	SEAT WASHER	RUBBER	2	133398
9	SPRING	STAINLESS STEEL	2	133400
10	AERATOR	BRASS	1	144211
11	COUPLING NUT	BRASS	2	133838
12	INSTALLATION KIT	STEEL	2	994258
13	POP-UP ASSEMBLY	BRASS	1	124100
14	LIFT ROD	METAL	1	994599
15	BALL ROD ASSY	METAL/PLASTIC	1	133833
16	STOPPER	PLASTIC	1	015084
17	LIFT STRAP	METAL	1	133833