



Description

- Transitional style tissue holder
- Compatible with all standard tissue rolls
- Chrome plated all metal construction
- Concealed screw mounting
- Mounting hardware includes screws and wall anchors
- Matches Premier Torino faucet suite
- Transitional styling complements many faucet brands

Warranty

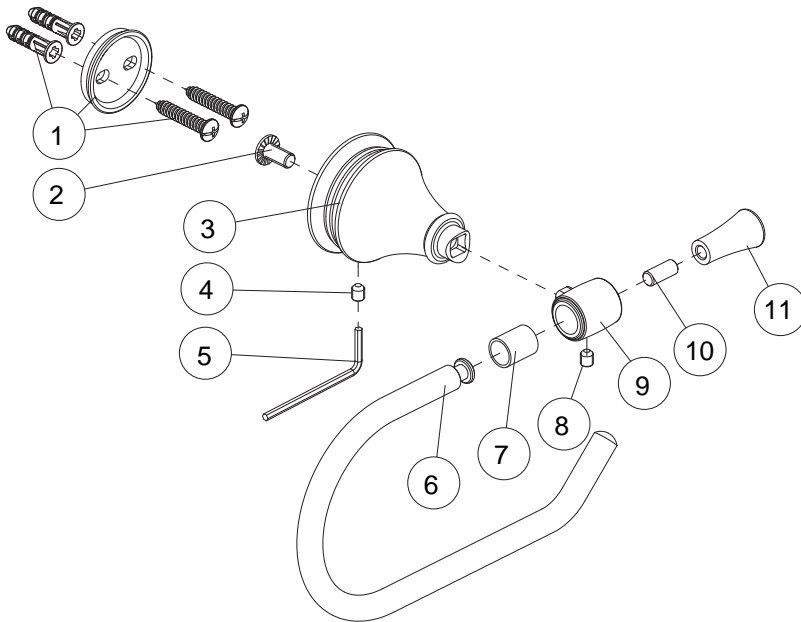
- Three Year Limited Warranty
Refer to Premier Faucet warranty program for further details and restrictions

TORINO™

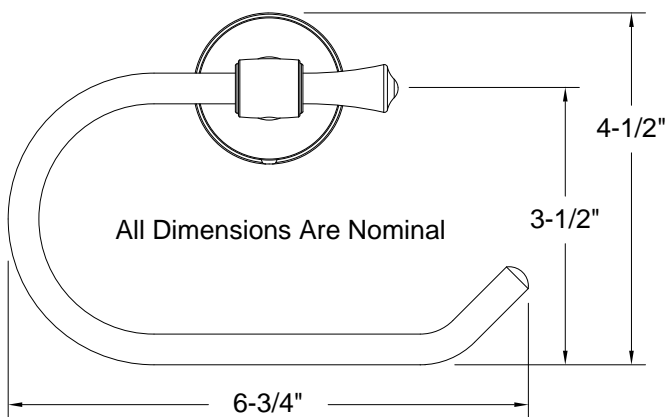


Model 120060

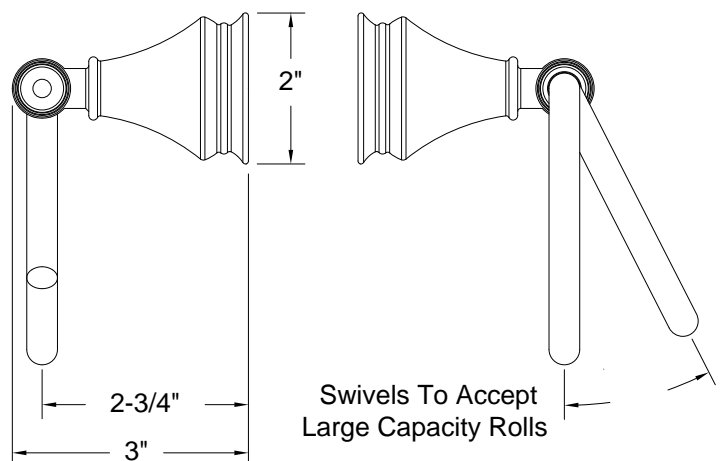
Genuine Premier Torino Accessory
Tissue Holder
Chrome Plated Finish



No	Part Name	Material	Qty.
1	MOUNTING KIT	PLASTIC / METAL	1
2	ATTACHMENT SCREW	METAL	1
3	FRAME	METAL	1
4	SET SCREW	STEEL	1
5	ALLEN WRENCH	STEEL	1
6	TISSUE BAR	METAL	1
7	BUSHING	PLASTIC	1
8	SET SCREW	STEEL	1
9	HEAD	METAL	1
10	SPINDLE	STEEL	1
11	FINIAL	METAL	1



All Dimensions Are Nominal



Swivels To Accept Large Capacity Rolls

