



Model 118050

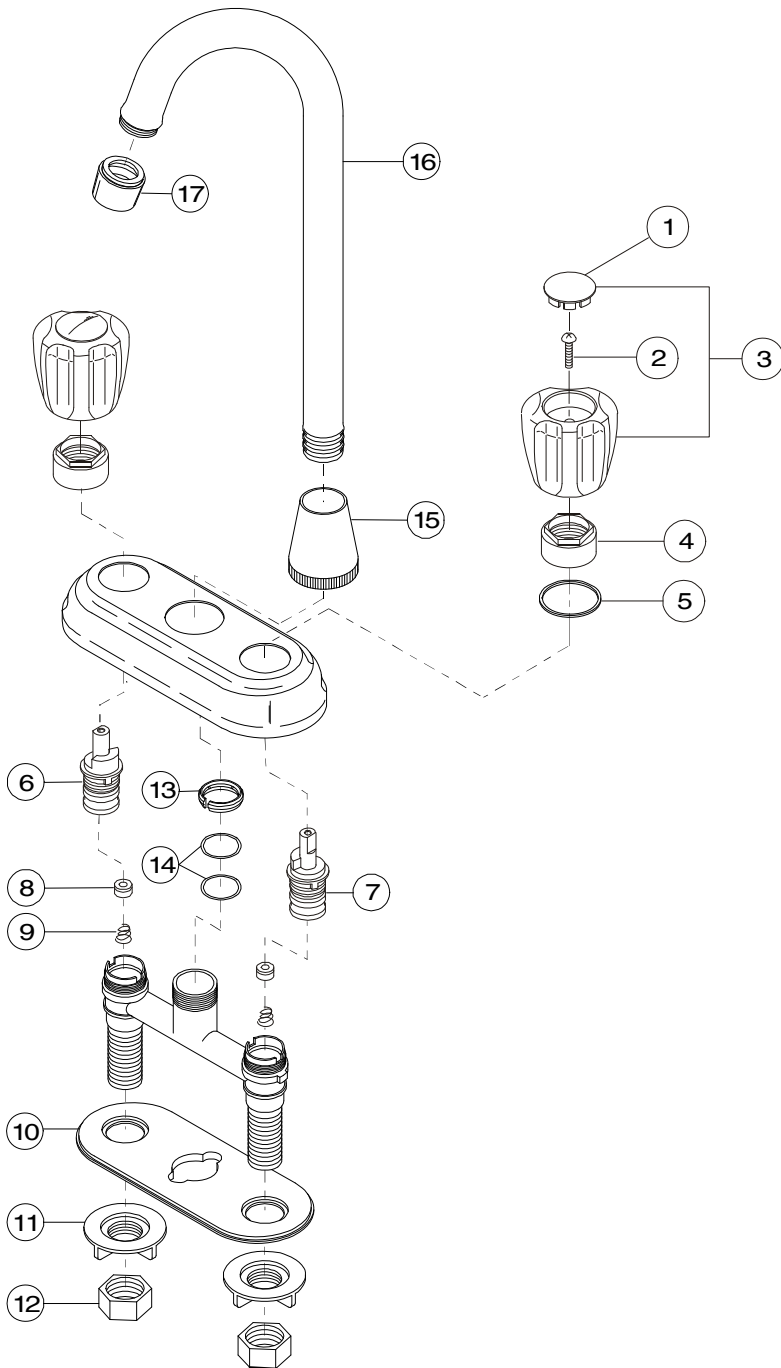
Twin Acrylic Handle Bar Sink Faucet
Chrome Plated
1/2" IPS Connection

Bayview™



Model 118050

Refer to Premier Faucet Parts List Sheet for part numbers and ordering information.



For additional information contact Premier Faucet at 866-745-4010 or visit our website at www.premierfaucet.com

**Model 118050**

Twin Acrylic Handle Bar Sink Faucet
Chrome Plated
1/2" IPS Connection

Bayview™

Model 118050

Refer to Premier Faucet Parts Schematic Sheet for parts diagram.

INDEX	DESCRIPTION	MATERIAL	QTY	PART NO
1	INDEX BUTTON	ACRYLIC	2	114093
2	HANDLE SCREW	CP BRASS	2	994306
3	HANDLE ASSEMBLY	ACRYLIC	2	012044
4	BONNET NUT	ZINC	2	994316
5	WASHER	POM	2	994515
6	CARTRIDGE - HOT	PLASTIC	1	163420
7	CARTRIDGE - COLD	PLASTIC	1	163420
8	SEAT WASHER	RUBBER	2	133398
9	SPRING	STAINLESS STEEL	2	133400
10	DECK GASKET	PLASTIC	1	994365
11	LOCK NUT	ABS	2	133836
12	COUPLING NUT	BRASS	2	133838
13	SPLIT RING	POM	1	994547
14	SPOUT O-RING	RUBBER	2	994532
15	SPOUT COLLAR	ZINC	1	994499
16	SPOUT	BRASS	1	994466
17	AERATOR	BRASS	1	144211