



Description

- Single loop handle tub & shower kit
- Single loop handle control of hot and cold water
- Solid forged brass valve assembly
- Chrome plated escutcheon plate and trim
- Suitable for tub, shower or tub & shower installations
- 1/2" Threaded IPS connections
- Internal parts are interchangeable with genuine Delta® repair parts
- Includes optional lever handle

Performance

- Designed to provide 2.5 GPM at 80 PSI shower head performance
- Designed to provide 2.4 GPM at 20 PSI tub filler performance

Compliance

- Designed to comply with requirements of ASME A112.18.1
- Complies with the requirements of the UPC (Uniform Plumbing Code)
- Meets or exceeds CSA B125
- Complies with ADA (American With Disabilities Act)

Listings

- IAPMO (International Association of Plumbing & Mechanical Officials)
- cUPC (Uniform Plumbing Code & Canadian Uniform Plumbing Code)
- CSA (Canadian Standards Association)

Warranty

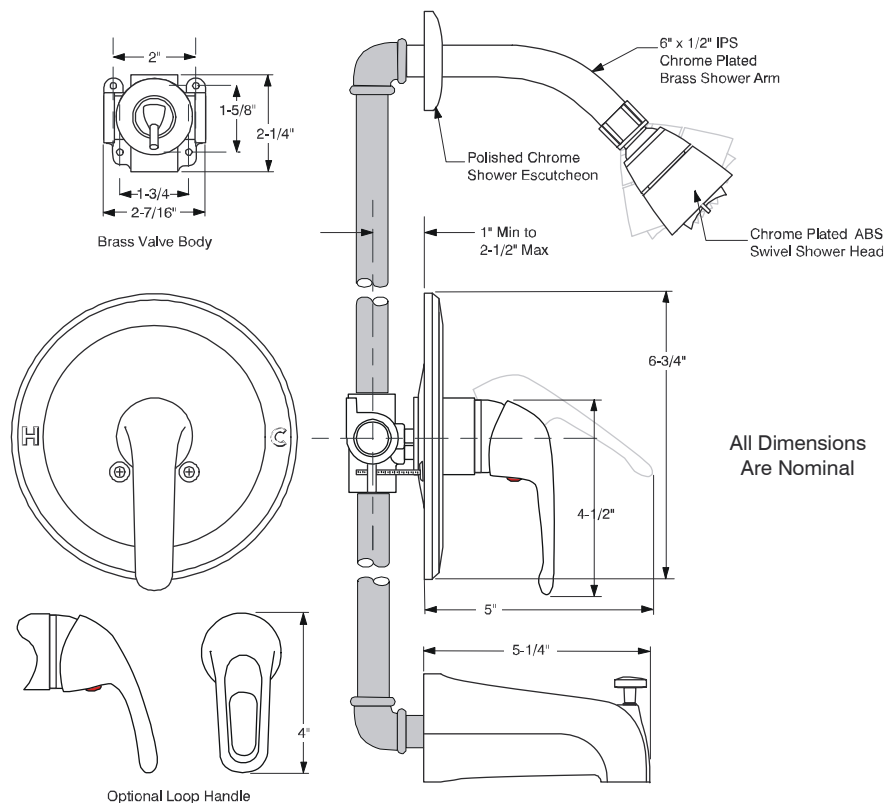
- Limited Lifetime Warranty
Refer to Premier Faucet warranty program for further details and restrictions.

Bayview™



Model 120400

Single Loop Handle Tub & Shower Set
Chrome Plated Finish
1/2" IPS Connection



For additional information contact Premier Faucet at 866-745-4010 or visit our website at www.premierfaucet.com