



## Description

- Deluxe Chrome Finish
- Single Metal Lever Handle
- Pressure Balanced Valve
- Ceramic Disc Cartridge with Stop Valve
- Wear Resistant Ceramic Disc Technology

## Compliance

- Designed to comply with requirements of ASME A112.18.1
- Complies with the requirements of the UPC (Uniform Plumbing Code)
- Complies with ADA (Americans with Disabilities Act)
- Meets or exceeds CSA B125

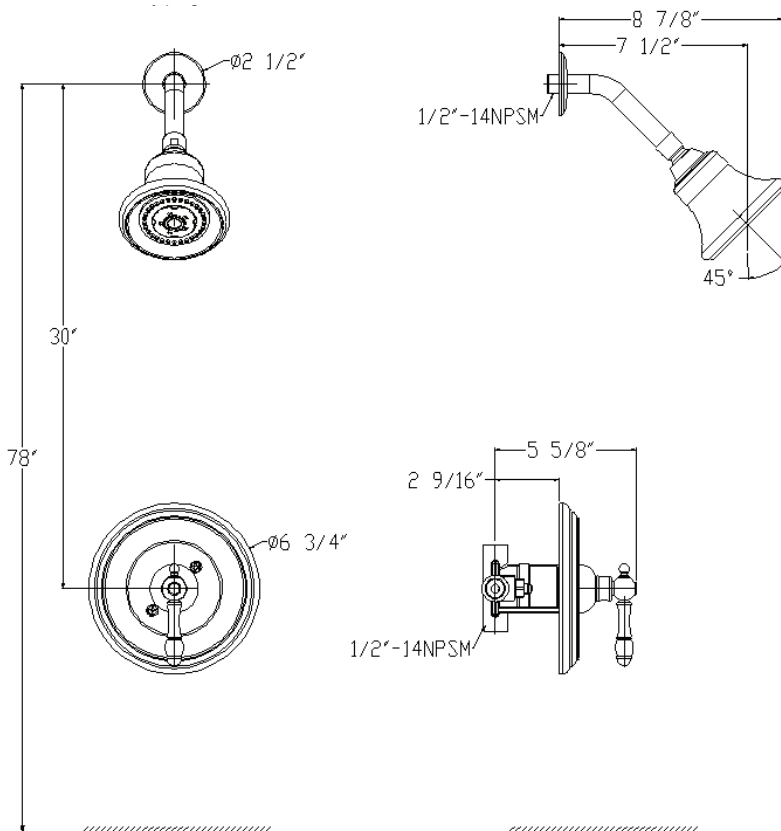
## Listings

- IAPMO (International Association of Plumbing & Mechanical Officials)
- cUPC (Uniform Plumbing Code & Canadian Uniform Plumbing Code)

## Warranty

- Limited Lifetime Warranty  
Refer to Premier Faucet warranty program for further details and restrictions.

# Charlestown™



## Model 120637

Single Lever Handle Shower Only Faucet

Chrome Plated Finish

Ceramic Cartridge

Metal Escutcheon

With Stop Valve