



Model 118007

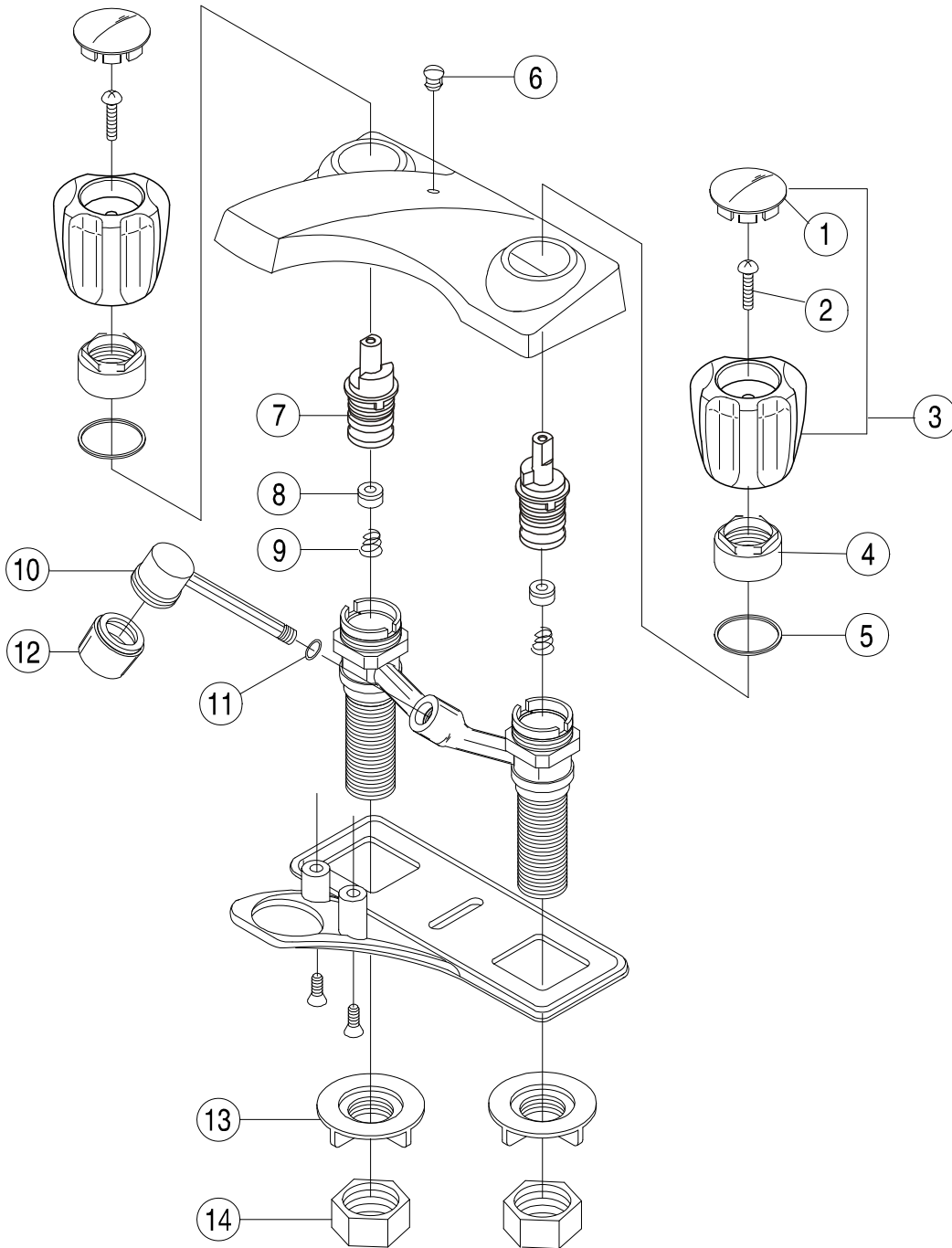
Twin Acrylic Handle Lavatory Faucet
Chrome Plated Finish
Less Pop-Up
1/2" IPS Connection

CONCORD™



Model 118007

Refer to Premier Faucet Parts List Sheet for part numbers and ordering information.



For additional information contact Premier Faucet at 866-745-4010 or visit our website at www.premierfaucet.com



Model 118007

Twin Acrylic Handle Lavatory Faucet
Chrome Plated Finish
Less Pop-Up
1/2" IPS Connection

CONCORD™



Model 118007

Refer to Premier Faucet Parts Schematic Sheet for parts diagram.

INDEX	DESCRIPTION	MATERIAL	QTY	PART NO
1	INDEX BUTTON	ACRYLIC	2	114093
2	HANDLE SCREW	CP BRASS	2	994306
3	HANDLE ASSEMBLY	ACRYLIC	2	012044
4	BONNET NUT	ZINC	2	994316
5	WASHER	POM	2	994515
6	LIFT ROD PLUG	PLASTIC	1	994610
7	CARTRIDGE - HOT & COLD	PLASTIC	2	163420
8	SEAT WASHER	RUBBER	2	133398
9	SPRING	STAINLESS STEEL	2	133400
10	SPOUT RISER	BRASS	1	994508
11	SPOUT O-RING	RUBBER	1	994551
12	AERATOR	BRASS	1	144211
13	LOCK NUT	ABS	2	133836
14	COUPLING NUT	BRASS	2	133838