



# Model 558718

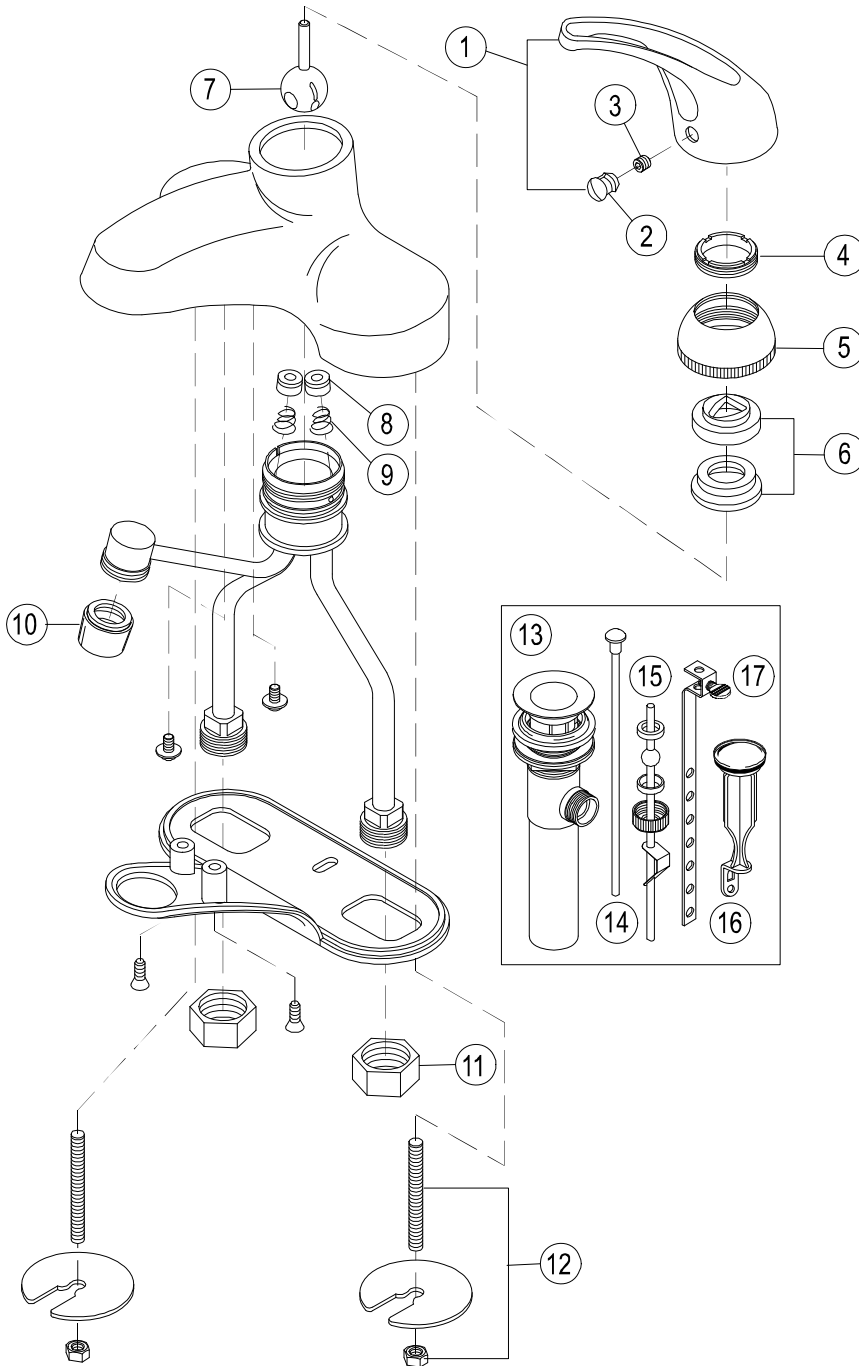
Single Loop Handle Lavatory Faucet  
Brushed Nickel Finish  
With Brass Pop-Up  
1/2" IPS Connection

# Bayview™



Model 558718

*Refer to Premier Faucet Parts List Sheet for part numbers and ordering information.*



For additional information contact Premier Faucet at 866-745-4010 or visit our website at [www.premierfaucet.com](http://www.premierfaucet.com)



# Model 558718

Single Loop Handle Lavatory Faucet  
Brushed Nickel Finish  
With Brass Pop-Up  
1/2" IPS Connection

# Bayview™



Model 558718

*Refer to Premier Faucet Parts Schematic Sheet for parts diagram.*

INDEX	DESCRIPTION	MATERIAL	QTY	PART NO
1	HANDLE ASSEMBLY	METAL	1	994179
2	INDEX PLUG	PE	1	994202
3	HANDLE SCREW	STAINLESS STEEL	1	994197
4	TENSION RING	BRASS	1	133593
5	CAP	ZINC	1	133625
6	CAM & PACKING	POM & BUNA-N	1	133577
7	BALL	STAINLESS STEEL	1	133437
8	SEAT WASHER	RUBBER	2	133398
9	SPRING	STAINLESS STEEL	2	133400
10	AERATOR	BRASS	1	994104
11	COUPLING NUT	BRASS	2	133838
12	INSTALLATION KIT	STEEL	2	994258
13	POP-UP ASSEMBLY	BRASS	1	124011
14	LIFT ROD	METAL	1	994606
15	BALL ROD ASSY	METAL/PLASTIC	1	133833
16	STOPPER	PLASTIC	1	994612
17	LIFT STRAP	METAL	1	133833

For additional information contact Premier Faucet at 866-745-4010 or visit our website at [www.premierfaucet.com](http://www.premierfaucet.com)