



Description

- Antique tissue holder
- Compatible with all standard tissue rolls
- Oil rubbed bronze all metal construction
- Concealed screw mounting
- Mounting hardware includes screws and wall anchors
- Matches Premier Sonoma faucet suite
- Antique styling complements many faucet brands

Warranty

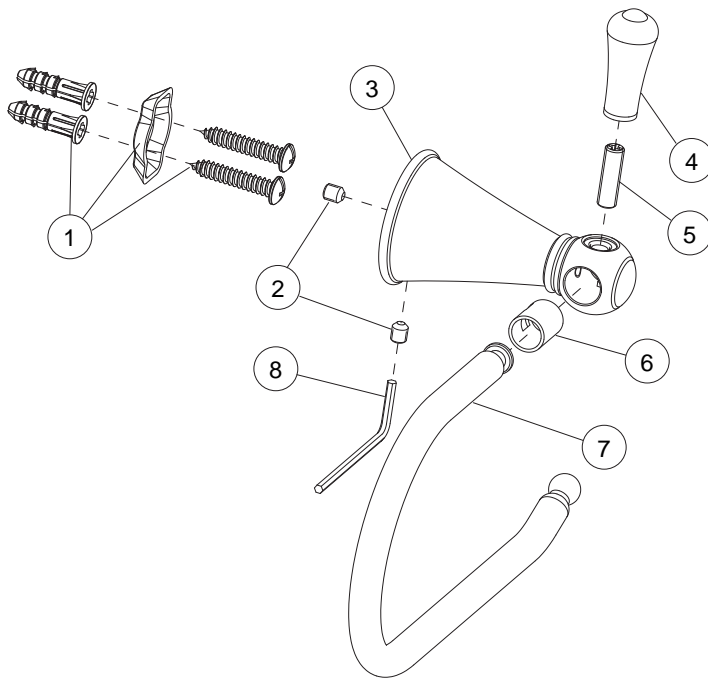
- Three Year Limited Warranty
Refer to Premier Faucet warranty program for further details and restrictions

SONOMA™



Model 552021

Genuine Premier Sonoma Accessory
Decorative Tissue Holder
Oil Rubbed Bronze Finish



| No | Part Name | Material | Qty. |
|----|---------------|-----------------|------|
| 1 | MOUNTING KIT | PLASTIC / METAL | 1 |
| 2 | SET SCREW | STEEL | 2 |
| 3 | BRACKET | METAL | 1 |
| 4 | FINIAL | METAL | 1 |
| 5 | SPINDLE | STEEL | 1 |
| 6 | BUSHING | PLASTIC | 1 |
| 7 | TISSUE HOLDER | METAL | 1 |
| 8 | ALLEN WRENCH | STEEL | 1 |

