



# Model 012032

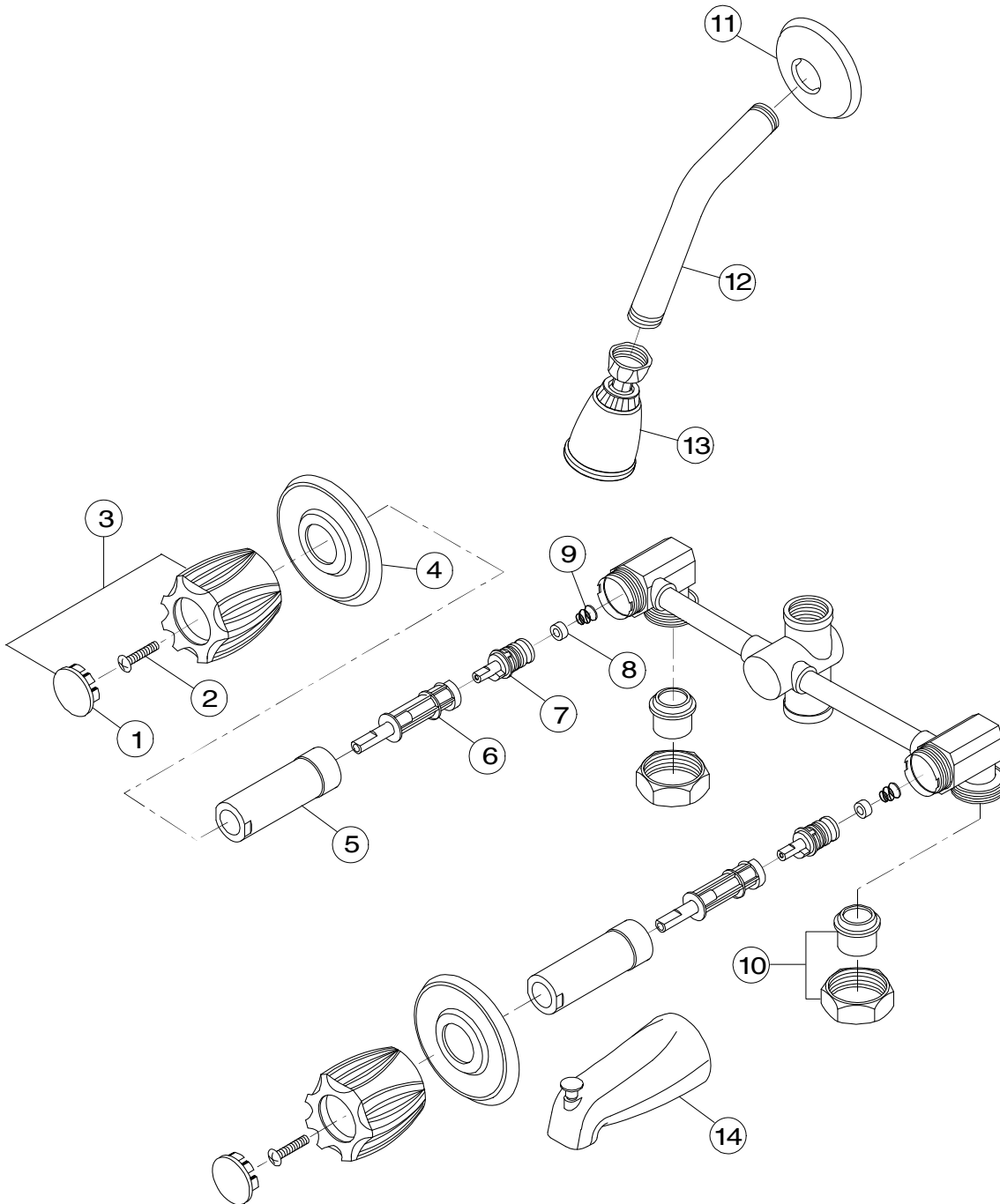
Twin Acrylic Handle Tub & Shower Set  
Chrome Plated Finish  
1/2" IPS Connection

# CONCORD™



Model 012032

Refer to Premier Faucet Parts List Sheet for part numbers and ordering information.



For additional information contact Premier Faucet at 866-745-4010 or visit our website at [www.premierfaucet.com](http://www.premierfaucet.com)



### Model 012032

Twin Acrylic Handle Tub & Shower Set  
Chrome Plated Finish  
1/2" IPS Connection

# CONCORD™



Model 012032

*Refer to Premier Faucet Parts Schematic Sheet for parts diagram.*

INDEX	DESCRIPTION	MATERIAL	QTY	PART NO
1	INDEX BUTTON	ACRYLIC	2	114093
2	HANDLE SCREW	BRASS	2	994187
3	HANDLE ASSEMBLY	ACRYLIC	2	012044
4	ESCUTCHEON	BRASS	2	994407
5	ESCUTCHEON TUBE	BRASS	2	994436
6	HANDLE EXTENDER	POM	2	133086
7	CARTRIDGE - HOT & COLD	PLASTIC	2	163420
8	SEAT WASHER	RUBBER	2	133398
9	SPRING	STAINLESS STEEL	2	133400
10	UNION ASSEMBLY	BRASS	2	994625
11	ESCUTCHEON	STAINLESS STEEL	1	ESC1
12	SHOWER ARM	BRASS	1	79101
13	SHOWER HEAD	ABS	1	7915
14	TUB SPOUT	ZINC	1	609527