



Description

- Twin acrylic handle tub & shower set
- Chrome plated finish
- All brass construction
- Standard 8" on-center, two hole installation
- 1/2" Brass IPS connections with ground joint swivel unions
- Internal parts are interchangeable with genuine Delta® repair parts

Performance

- Designed to provide 2.5 GPM at 80 PSI shower head performance
- Designed to provide 4.0 GPM at 20 PSI tub filler performance

Compliance

- Designed to comply with requirements of ASME A112.18.1
- Complies with the requirements of the UPC (Uniform Plumbing Code)

Listings

- IAPMO (International Association of Plumbing & Mechanical Officials)
- cUPC (Uniform Plumbing Code & Canadian Uniform Plumbing Code)

Warranty

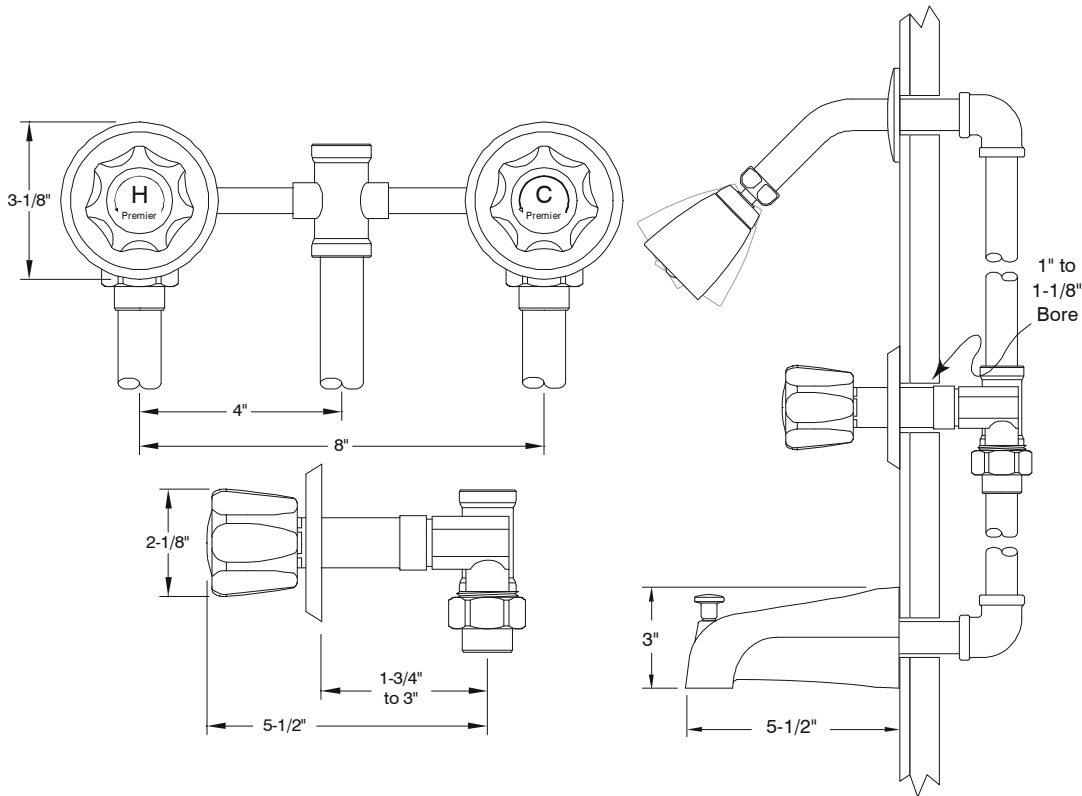
- Limited Lifetime Warranty
Refer to Premier Faucet warranty program for further details and restrictions.

CONCORD™



Model 012032

Twin Acrylic Handle Tub & Shower Set
 Chrome Plated Finish
 1/2" IPS Connection



For additional information contact Premier Faucet at 866-745-4010 or visit our website at www.premierfaucet.com