



Model 012027

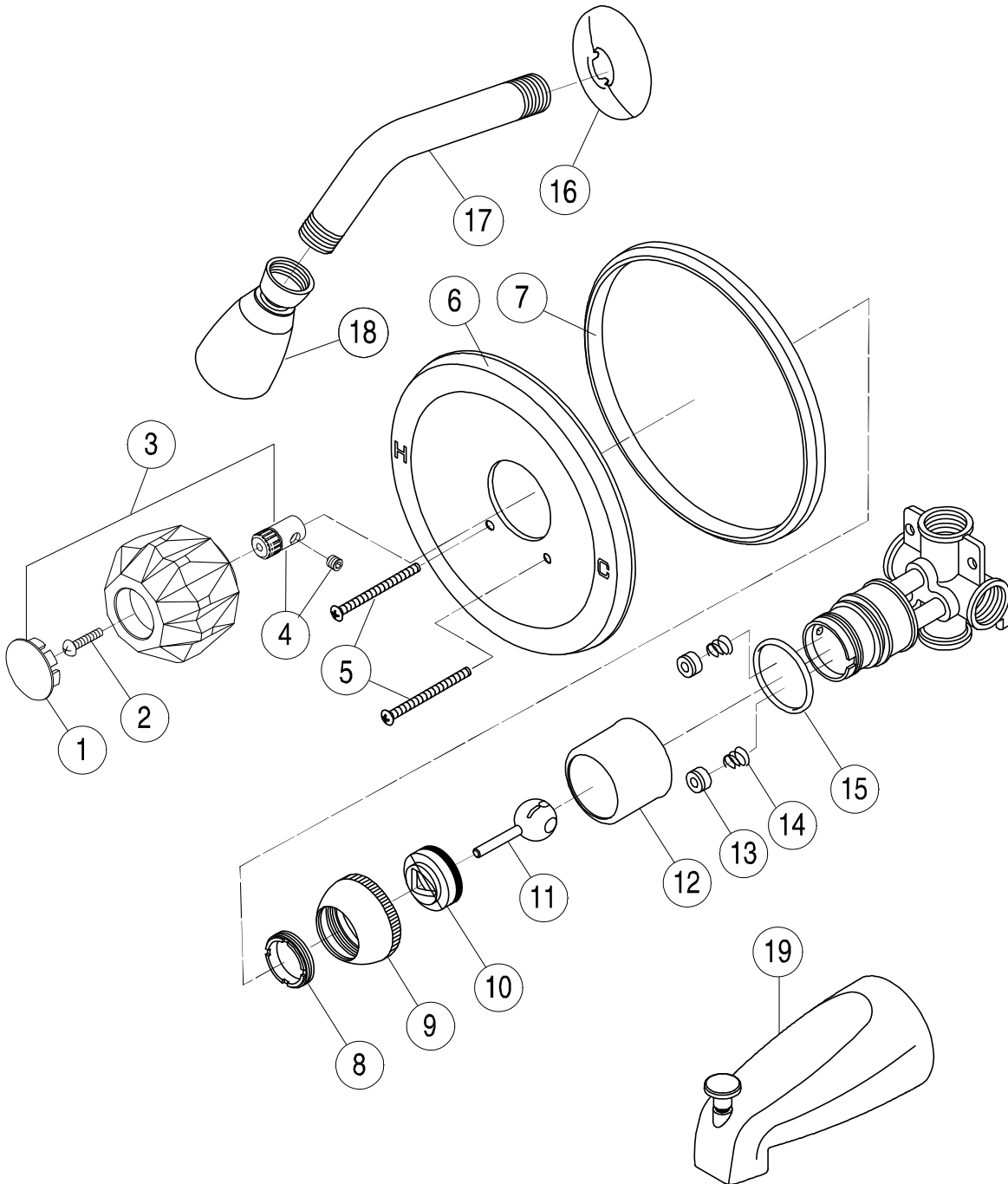
Single Acrylic Handle Tub & Shower Set
Chrome Plated
1/2" IPS Connection

CONCORD™



Model 012027

Refer to Premier Faucet Parts List Sheet for part numbers and ordering information.



For additional information contact Premier Faucet at 866-745-4010 or visit our website at www.premierfaucet.com



Model 012027

Single Acrylic Handle Tub & Shower Set
Chrome Plated
1/2" IPS Connection

CONCORD™



Model 012027

Refer to Premier Faucet Parts Schematic Sheet for parts diagram.

INDEX	DESCRIPTION	MATERIAL	QTY	PART NO
1	INDEX BUTTON	ARCYLIC	1	114091
2	HANDLE SCREW	STAINLESS STEEL	1	994187
3	HANDLE ASSEMBLY	ACRYLIC	1	012042
4	HANDLE ADAPTER	BRASS	1	994116
5	PLATE SCREW	BRASS	2	994442
6	ESCUTCHEON	BRASS	1	994406
7	PLATE GASKET	RUBBER	1	994521
8	TENSION RING	BRASS	1	133593
9	CAP	ZINC	1	133625
10	CAM & PACKING	PLASTIC	1	133577
11	BALL	STAINLESS STEEL	1	133437
12	BARREL SLEEVE	BRASS	1	994367
13	SEAT WASHER	RUBBER	2	133398
14	SPRING	STAINLESS STEEL	2	133400
15	O-RING	RUBBER	1	133725
16	ESCUTCHEON	STAINLESS STEEL	1	ESC1
17	SHOWER ARM	BRASS	1	79101
18	SHOWER HEAD	PLASTIC	1	194004
19	TUB SPOUT	ZINC	1	101007