

LAVATORY FAUCET

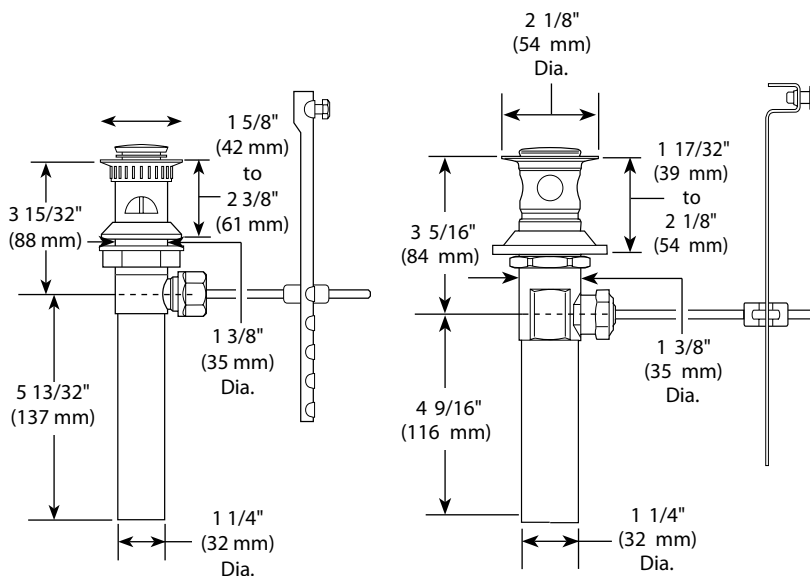
- Two handle, knob, centerset lavatory faucet, model P245LF with plastic pop-up drain assembly, and model P245LF-M with metal pop-up drain assembly.

STANDARD SPECIFICATIONS

- Two handle lavatory faucets for exposed mountings on 3 hole sinks with 4" centers.
- The fully replaceable, washerless valve design rotates from the full-off position to the full-on position in 90°.
- The valve stems on the hot and cold stems are interchangeable.
- 1/2" - 14 NPSM threaded male inlet shanks.
- Maximum flow rate 1.5 gpm @ 60 PSI.

WARRANTY

- Lifetime Faucet and Finish Limited Warranty to the original consumer purchaser to be free from defects in material and workmanship.
- 5 Year Limited Warranty for usage in all industrial, Commercial and Business applications.



COMPLIES WITH

- ASME A112.18.1/CSA B125.1
- ASME A112.18.2/CSA B125.2
- EPA WaterSense

Verified compliant with 0.25% weighted average Pb content regulations.

