

### LAVATORY FAUCET

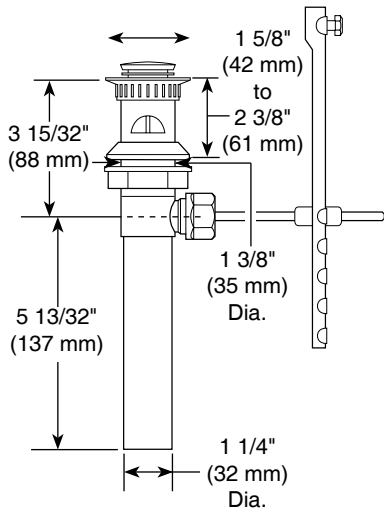
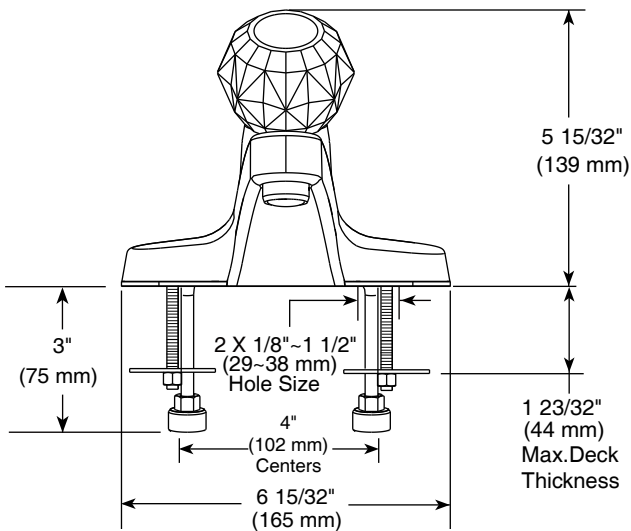
- Single handle, knob, centerset lavatory faucet with plastic pop-up drain assembly.

### STANDARD SPECIFICATIONS

- Single handle lavatory deck faucets for exposed mounting on 3 hole sinks, with 4" centers.
- Clear knob handle. Control mechanism shall be of the rotating ball type with replaceable non-metallic seats.
- Control handle shall return to neutral position when valve is turned off.
- 1/2"- 14 NPSM threaded male inlet adapters.
- Maximum flow rate 1.5 gpm @ 60 PSI.

### WARRANTY

- Lifetime Faucet and Finish Limited Warranty to the original consumer purchaser to be free from defects in material and workmanship.
- 5 Year Limited Warranty for usage in all industrial, Commercial and Business applications.



### COMPLIES WITH

- ASME A112.18.1/CSA B125.1
- ASME A112.18.2/CSA B125.2
- EPA WaterSense

Verified compliant with 0.25% weighted average Pb content regulations.

