

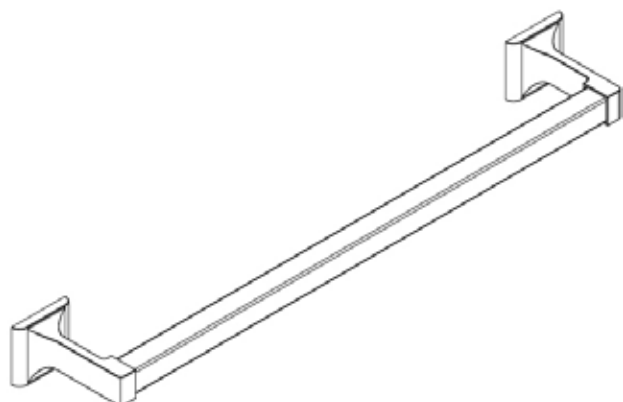
## 36" x 3/4" Towel Bar (square bar)

Model: BC2-13836

### Features

- Material: Zinc Die-cast
- Concealed Surface Mount Application
- Provided with
  - Mounting Plate: 1-3/4" x 1-1/8"
  - Plastic Anchors x 4
  - Steel Phillips Head Screws #8 x 1-1/4"
- Projection: 3-1/4" from the Mounting Surface
- Overall Size: 38-3/4" x 1-7/8"

*Campbell  
Collection*



### Available Finish:

- Chrome

