

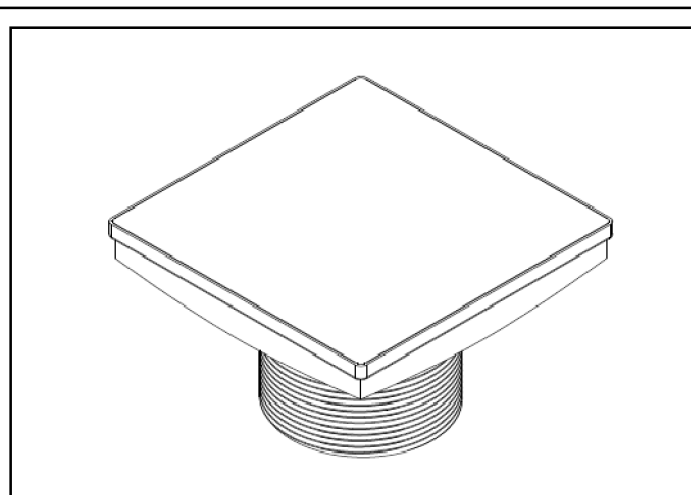
# Installation Instructions

## THROAT ASSEMBLY

Model No: NWP 277-01

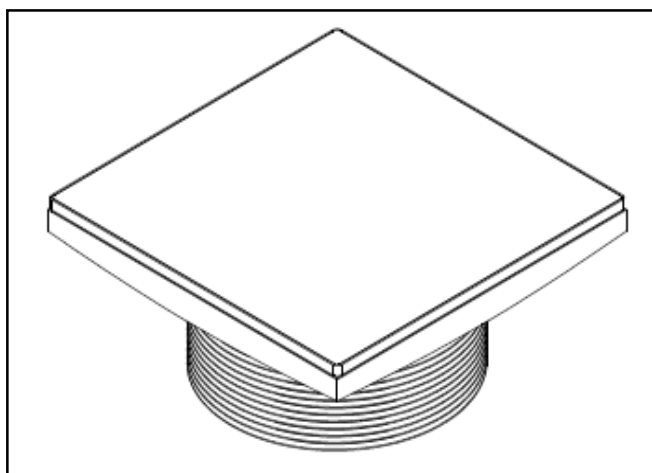
NWP 277-02

**NEWPORT BRASS**  
Flawless Beauty. From Faucet to Finish.™



277-01

277-02



2001 CARNEGIE AVE, SANTA ANA CA 92705

(949) 417-5207

NWP-277-01

WWW.NEWPORTBRASS.COM

03/16/2012

# INSTALLATION INSTRUCTIONS

- **Brasstech recommends this product be installed by licensed contractor(s)**

## **THROAT/GRID HEIGHT ADJUSTMENT** (see figure 1)

1. To obtain proper grid height, rotate THROAT ASSEMBLY [8] to raise or lower. One (1) complete rotation of THROAT ASSEMBLY [8] is equal to 1/8" in vertical adjustment.
2. Proper height should be determined by flooring contractor.
3. Before the final mortar application it is suggested to place some PEA GRAVEL [9] over WEEP HOLES [7] to prevent blockage of the holes.

**NOTES:** *All figures show cast iron no-hub connection*

*277-01 engages with 2" IPS drain body [9]*

*277-02 engages with 4" IPS drain body [9]*

