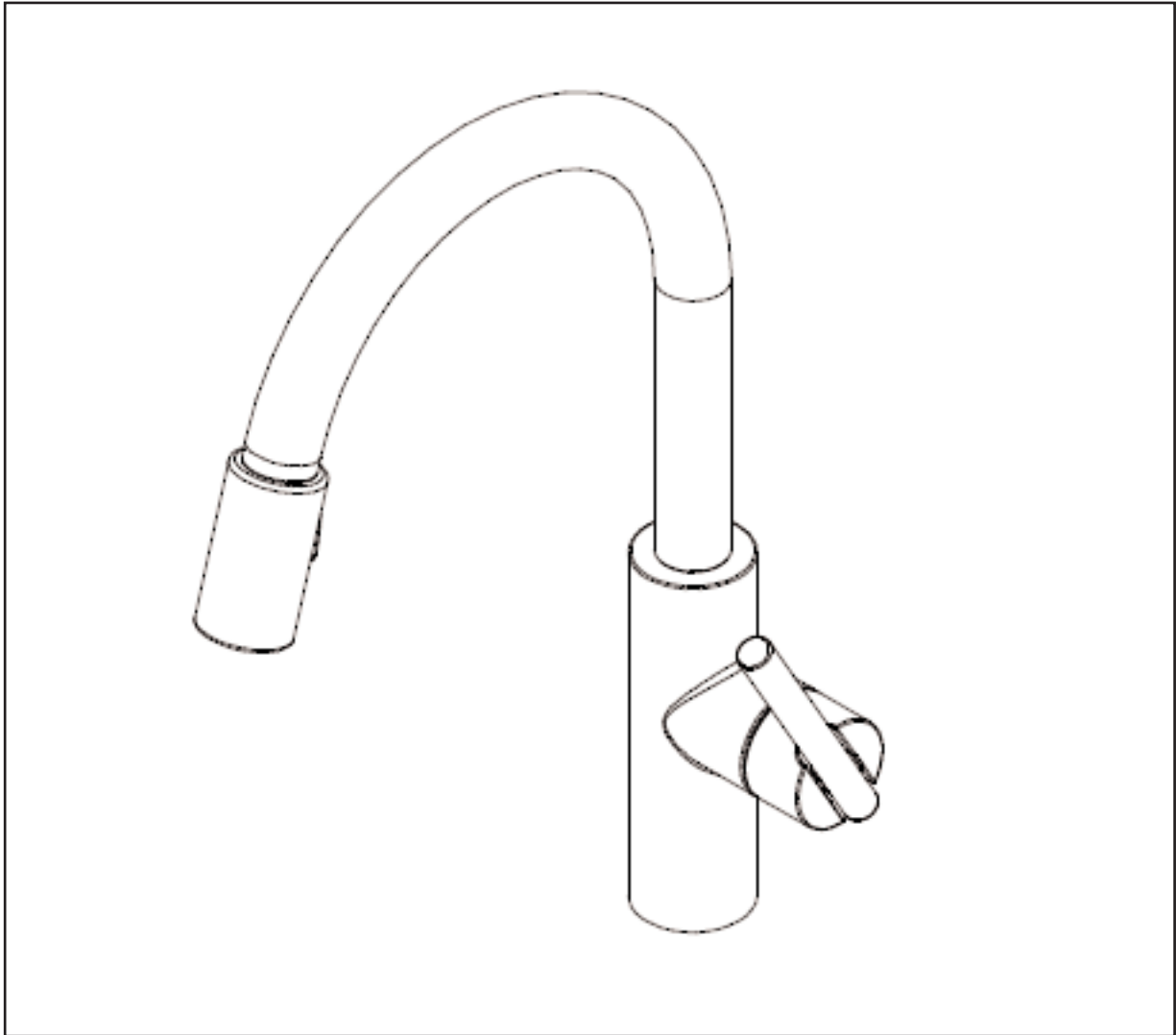


INSTALLATION INSTRUCTIONS  
EAST LINEAR PULI-DOWN  
KITCHEN FAUCET  
Model No's: 1500-5103

**NEWPORT BRASS**  
Flawless Beauty. From Faucet to Finish.™



**Congratulations on the purchase of your Newport Brass product, an excellent choice, that will give you years of quality service and enhance the look and style of your home.**

## Recommended Installation by a Professional Plumbing Contractor

**Note:** The use of petroleum base plumbers putty on our products will nullify the warranty. We recommend the use of clear silicone sealing materials.

If mounting faucet to stainless steel rim, an under-mount support, (e.g. wood, appropriate size x 1/2" thick), should be utilized.

1. Drill hole in mounting surface. Recommended deck hole  $\varnothing 1.350$ " not to exceed  $\varnothing 1.562$ ".

2. Place O-ring (2) on underside of BODY (1). See **Figure 1a**.

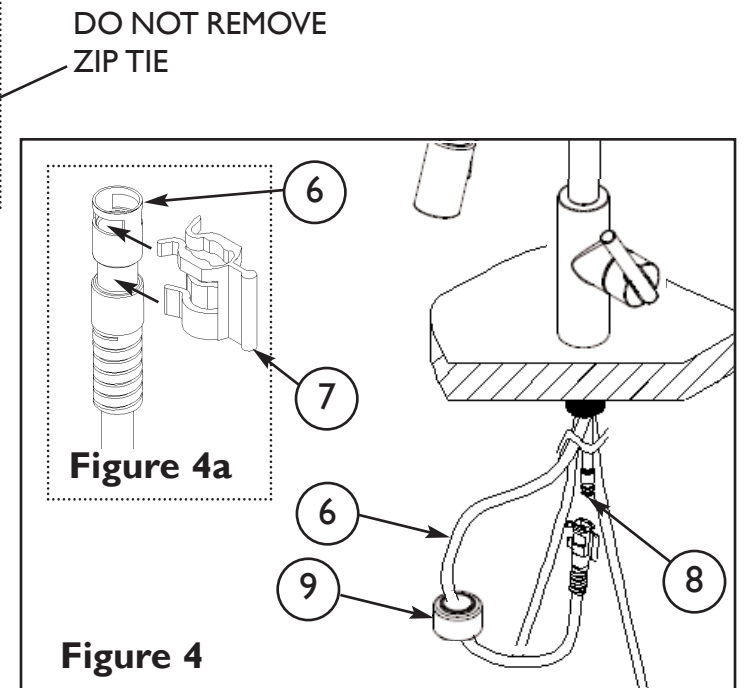
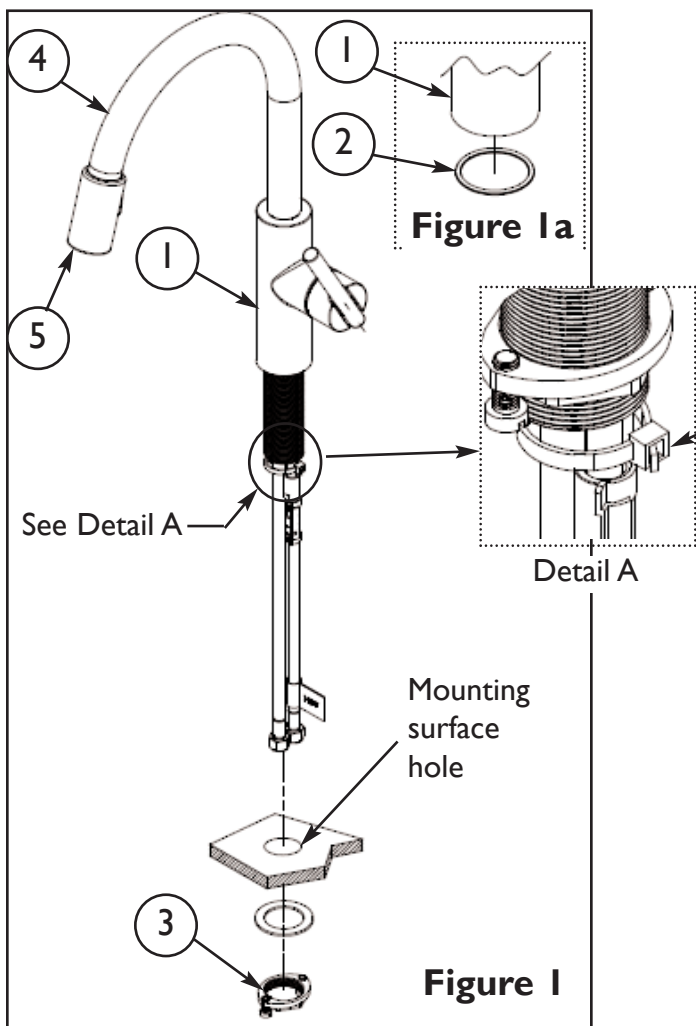
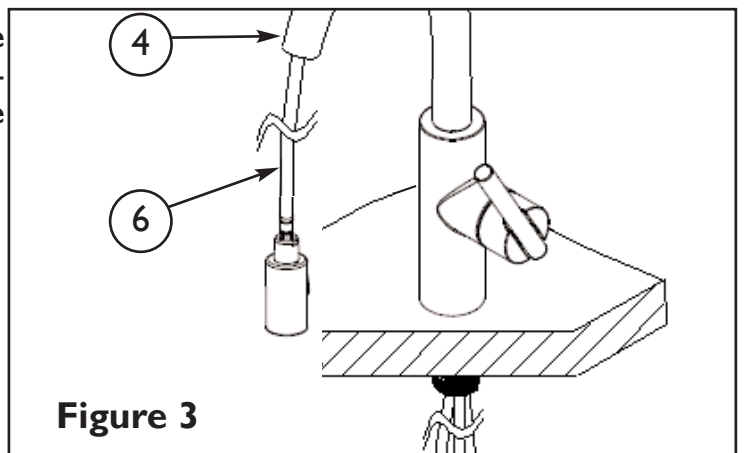
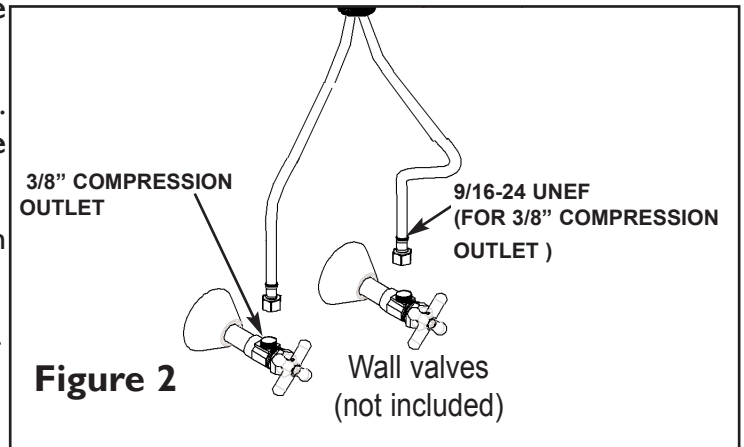
3. Insert Hoses through hole in mounting surface. Secure into place with MOUNTING KIT (3). See **Figure 1**.

4. Attach hot/cold spout supply directly to valves in the wall. See **Fig. 2**

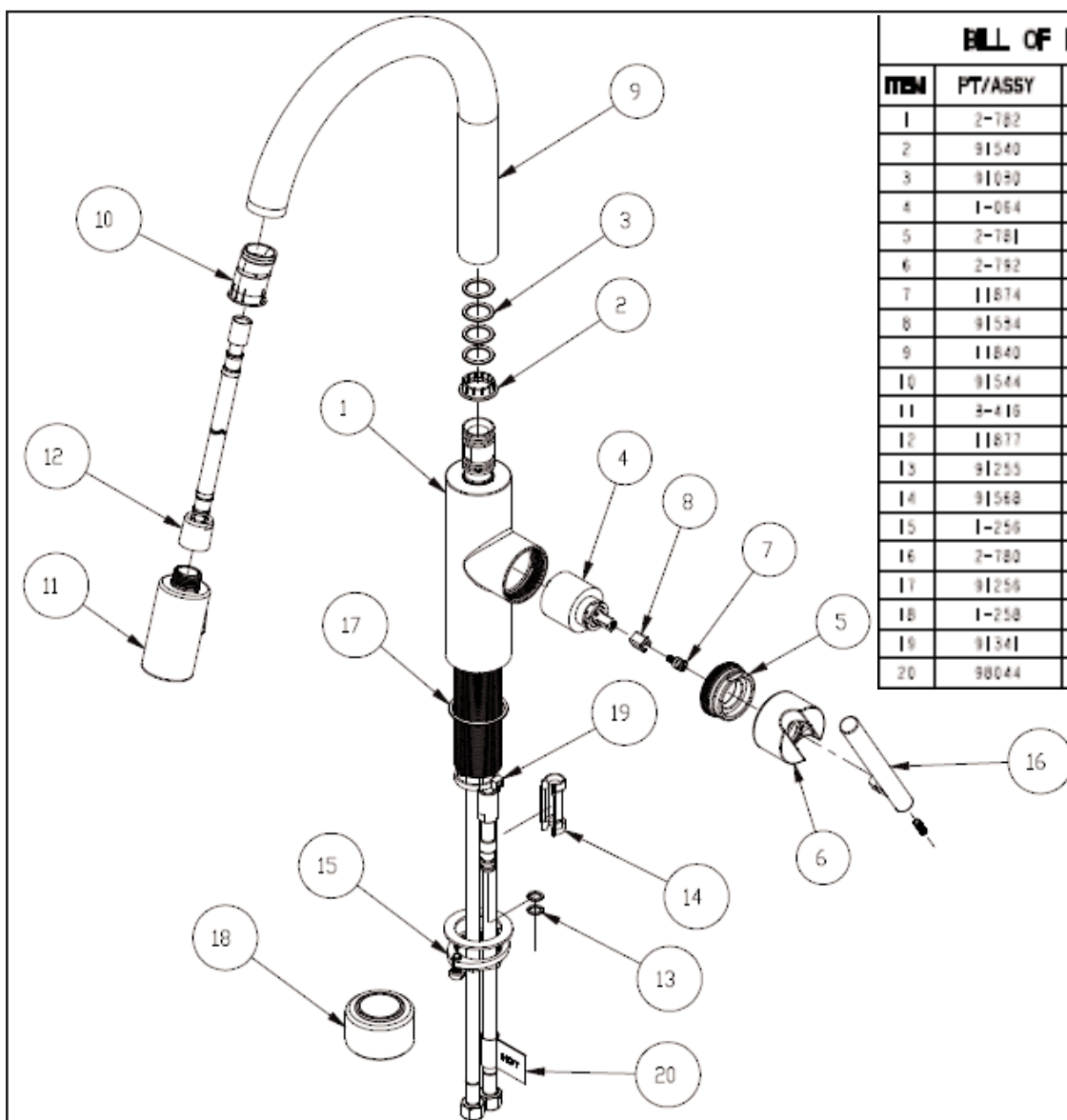
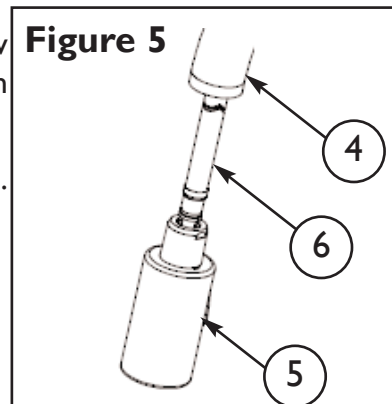
5. **DO NOT** remove the HOSE (6) from SPOUT (4). See **Figure 3**.

6. Slide WEIGHT(9) onto HOSE(6). See **Figure 4**.

7. Attach CLIP (7) to HOSE (6) as shown. See **Figure 4a**. Connect to valve OUTLET (8) by firmly pressing together until it clicks into place. See **Figure 4**.



8. With faucet in the OFF position, open water supply valves. Inspect connections under sink for leaks. **DO NOT** turn faucet on yet.
9. Pull SPRAYHEAD (5) out from SPOUT (4). While holding HOSE (6), unscrew SPRAYHEAD (5). Aiming HOSE (6) into sink, turn on faucet to center position (mixed) and flush for one minute to remove debris from lines.
10. Turn OFF faucet and reattach SPRAYHEAD (5) to HOSE (6). See Figure 5.
11. Check the SPRAYHEAD (5) by operating the trigger from aerator to spray.



BILL OF MATERIAL (CURRENT LEVEL)				
ITEM	PT/ASSY	DESCRIPTION	TYPE	QTY.
1	2-782	MAIN BODY ASM, EAST LINEAR	ASSEMBLY	1
2	91540	SWIVEL SLEEVE, BOTTOM	PART	1
3	91090	O-RING #2-115	PART	4
4	1-064	SINGLE LEVER CARTRIDGE	PART	1
5	2-781	CART. RETAINER ASM	ASSEMBLY	1
6	2-782	HANDLE HUB ASM, CONTEMP	ASSEMBLY	1
7	11874	HANDLE ADAPTER SCREW	PART	1
8	91554	CARTRIDGE STEW INSERT	PART	1
9	11840	SPOUT, CONTEMP PULL-DOWN	PART	1
10	91544	MAGNET DOCKING	ASSEMBLY	1
11	3-416	SPRAY HEAD, CONTEMP	ASSEMBLY	1
12	11877	HOSE, PULLDOWN SWIVEL	ASSEMBLY	1
13	91255	O-RING, (SPARER #2-011)	PART	2
14	91568	RETAINER CLIP	PART	1
15	1-256	MOUNTING KIT	ASSEMBLY	1
16	2-780	HANDLE ASM	ASSEMBLY	1
17	91256	O-RING, (SPARER #2-120)	PART	1
18	1-258	HEIGHT ASM	ASSEMBLY	1
19	91541	ZIP TIE	PART	1
20	98044	LABEL - HOT	PART	1

**Figure 4 - Spare Parts**