

# ANNABELLA

Double Light

## 12-52HA

Also 12-52HC

### Features

- Solid brass construction
- Single -post, double light design
- UL listed for damp locations
- Upward facing shade design
- Complements Annabella product series

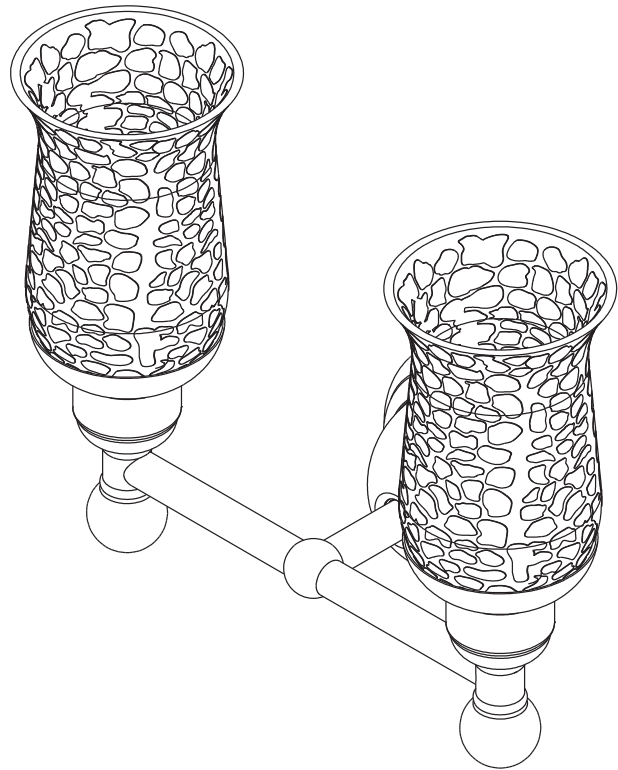
### Codes / Standards Compliance

Meets or exceeds the following at date of manufacture:

- UL 1598
- All applicable US Federal and State material regulations

### Colors / Finishes

- 15: Polished Nickel
- 15S: Satin Nickel
- 26: Polished Chrome
- 10B: Oil Rubbed Bronze
- Other: Refer to the Newport Brass catalog for additional color/finish options. Item not available in 10 (Satin Bronze – PVD) or 24A (French Gold – PVD). All other PVD finish requests will be accommodated as non-PVD equivalents.



### Specified Model

Model	Description	Colors   Finishes				
12-52HA	Double Light, Crackle Glass (depicted)	<input type="checkbox"/> 15	<input type="checkbox"/> 15S	<input type="checkbox"/> 26	<input type="checkbox"/> 10B	<input type="checkbox"/> Other
12-52HC	Double Light, Etched Glass	<input type="checkbox"/> 15	<input type="checkbox"/> 15S	<input type="checkbox"/> 26	<input type="checkbox"/> 10B	<input type="checkbox"/> Other
HA	Replacement Glass Shade, Crackle Glass					
HC	Replacement Glass Shade, Etched Glass					

### Product Specification: Add glass type designator and "Color / Finish" suffix to Model number, below.

The Double Light shall incorporate solid brass construction and (a crackle or an etched) glass shade. Double Light shall complement Newport Brass Annabella product series. Double Light shall be Newport Brass Model 12-52H\_\_\_\_/\_\_\_\_.

# 12-52HA

## Product Dimensions *(units are in inches)*

