

JACOBEBAN

Tub and Shower Trim
(less showerhead, arm & flange)

4-2462BP

Also 3-374

Features

- Solid brass construction
- Face plate with ADA compliant traditional cross handle and diverter pull-knob
- ADA compliant traditional cross handle assembly for control valve
- Intended for use with Newport Brass rough valve(s) as specified (Required Accessory)

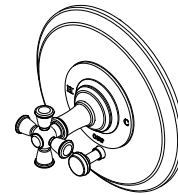
Codes / Standards Compliance

Meets or exceeds the following at date of manufacture:

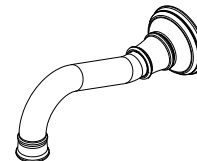
- ASME A112.18.1/CSA B125.1
- ICC/ANSI A117.1
- IAPMO/cUPC
- ASSE 1016
- IPC
- All applicable US Federal and State material regulations
- ADA

Colors / Finishes

- 10B: Oil Rubbed Bronze
- 15: Polished Nickel
- 15S: Satin Nickel
- 26: Polished Chrome
- Other: Refer to the Newport Brass catalog for additional color/finish options.



3-374



4-2462BP

Specified Model

| Model | Description | Colors / Finishes | | | | |
|----------|--|------------------------------|-----------------------------|------------------------------|-----------------------------|--------------------------------|
| 4-2462BP | Tub and Shower Trim (less showerhead, arm & flange) | <input type="checkbox"/> 10B | <input type="checkbox"/> 15 | <input type="checkbox"/> 15S | <input type="checkbox"/> 26 | <input type="checkbox"/> Other |
| 3-374 | Shower System Control Valve Trim (Escutcheon/Handle) | <input type="checkbox"/> 10B | <input type="checkbox"/> 15 | <input type="checkbox"/> 15S | <input type="checkbox"/> 26 | <input type="checkbox"/> Other |
| | | | | | | |
| | | | | | | |

Required Accessory:

Trim(s), above, and Rough Valve(s), below, must be specified.

| Application | Tub Only Valve* | Shower (or Tub) Valve | Tub & Shower Valve | Shower System Valve | Control Valve |
|-------------------|-----------------------------|-----------------------------|--------------------------------|-----------------------------|--------------------------------|
| Description | 2-Cartridge Assembly | Balance Pressure (BP) | BP w/ Diverter | Thermostatic | Diverter (3/4 port) |
| Inlet/Outlet Size | 1/2" | 1/2" | 1/2" | 3/4" | 1/2" |
| Part Number | <input type="checkbox"/> NA | <input type="checkbox"/> NA | <input type="checkbox"/> 1-595 | <input type="checkbox"/> NA | <input type="checkbox"/> 1-617 |
| Image | | | | | |

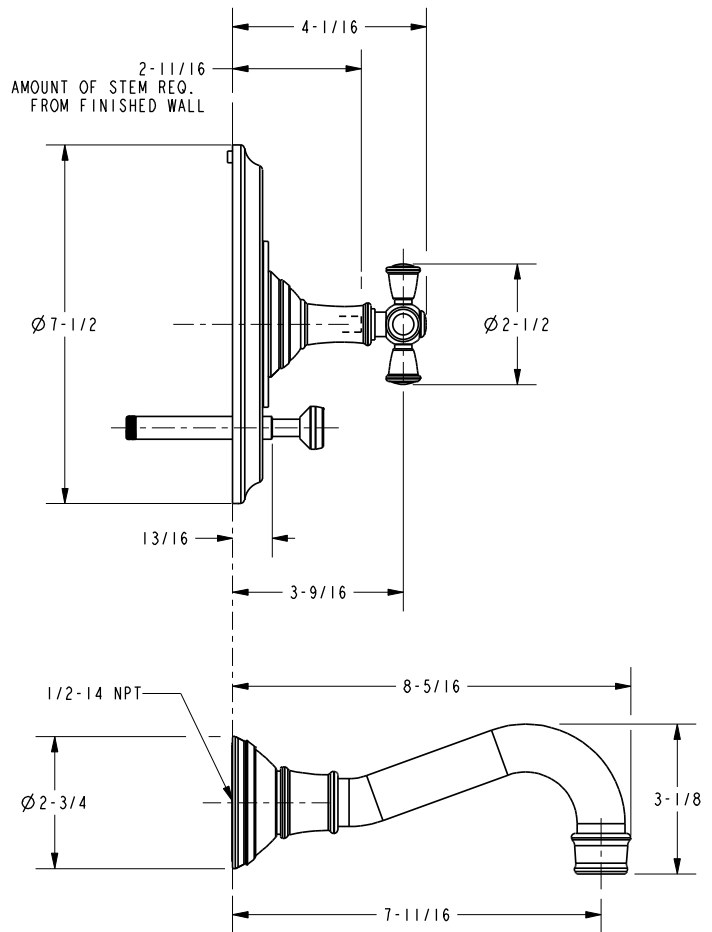
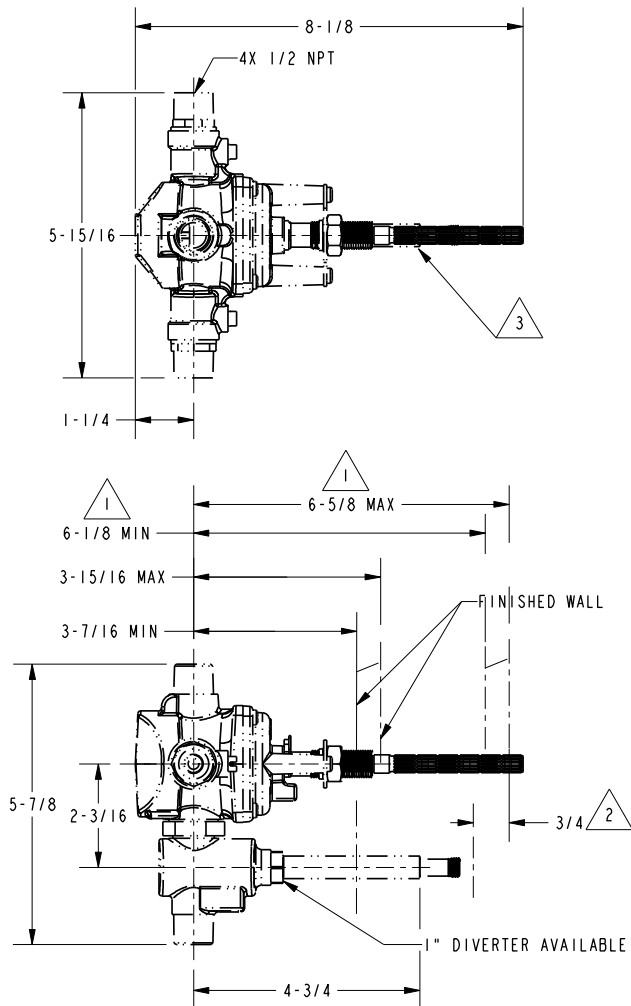
Product Specification:

Add "Color / Finish" suffix to Model number, below.

The single-control Tub and Shower Trim (less showerhead, arm & flange) shall be made of solid brass construction. Tub and Shower Trim (less showerhead, arm & flange) shall include faceplate with ADA compliant handle and diverter pull-knob. Shower System Control Valve Trim(s) (Escutcheon/Handle) shall be ADA compliant when used with specified Shower System Control Valve. Tub and Shower Trim (less showerhead, arm & flange) shall be Newport Brass Model 4-2462BP/_____ and single-control Tub and Shower rough valve shall be Newport Brass Model 1-595. Shower System Control Valve Trim (Escutcheon/Handle) shall be 3-374/_____ and Shower System Control Valve shall be 1-617.

4-2462BP

Product Dimensions (units are in inches)



NOTES:

- 1 CUT STEM TO DIMENSION SHOWN
- 2 CUT ALL THREAD 3/4" SHORTER THAN STEM
- 3 PN: 1-595 TO BE SOLD SEPARATELY

Jacobean Tub and Shower Trim (less showerhead, arm & flange)
4-2462BP

NEWPORT BRASS
 Flawless Beauty. From Faucet to Finish.™