

# ASTAIRE

**Tub and Shower Trim**  
(less showerhead, arm & flange)

## 4-1662BP

Also 3-280LA, 3-280LB

### Features

- Solid brass construction
- Face plate with ADA compliant traditional lever handle and diverter pull-knob
- ADA compliant traditional lever handle assembly and insert options for control valve
- Intended for use with Newport Brass rough valve(s) as specified (Required Accessory)

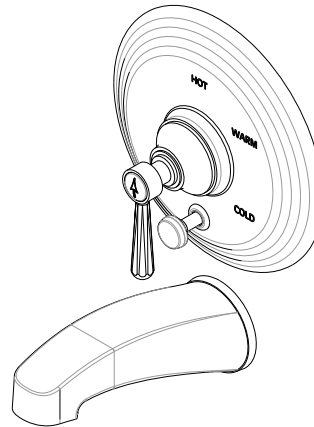
### Codes / Standards Compliance

Meets or exceeds the following at date of manufacture:

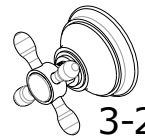
- ASME A112.18.1/CSA B125.1
- ICC/ANSI A117.1
- IAPMO/cUPC
- ASSE 1016
- IPC
- All applicable US Federal and State material regulations
- ADA

### Colors / Finishes

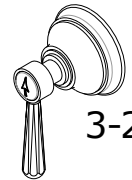
- 10B: Oil Rubbed Bronze
- 15: Polished Nickel
- 15S: Satin Nickel
- 26: Polished Chrome
- Other: Refer to the Newport Brass catalog for additional color/finish options.



4-1662BP



3-280LB



3-280LA

### Specified Model

Model	Description	Colors / Finishes				
4-1662BP	Tub and Shower Trim (less showerhead, arm & flange)	<input type="checkbox"/> 10B	<input type="checkbox"/> 15	<input type="checkbox"/> 15S	<input type="checkbox"/> 26	<input type="checkbox"/> Other
3-280LA	Shower System Control Valve Trim (Escutcheon/Handle, Arrow Insert)	<input type="checkbox"/> 10B	<input type="checkbox"/> 15	<input type="checkbox"/> 15S	<input type="checkbox"/> 26	<input type="checkbox"/> Other
3-280LB	Shower System Control Valve Trim (Escutcheon/Handle, Plain Insert)	<input type="checkbox"/> 10B	<input type="checkbox"/> 15	<input type="checkbox"/> 15S	<input type="checkbox"/> 26	<input type="checkbox"/> Other

### Required Accessory:

Trim(s), above, and Rough Valve(s), below, must be specified.

Application	Tub Only Valve*	Shower (or Tub) Valve	Tub & Shower Valve	Shower System Valve	Control Valve
Description	2-Cartridge Assembly	Balance Pressure (BP)	BP w/ Diverter	Thermostatic	Diverter (3/4 port)
Inlet/Outlet Size	1/2"	1/2"	1/2"	3/4"	1/2"
Part Number	<input type="checkbox"/> NA	<input type="checkbox"/> NA	<input type="checkbox"/> 1-595	<input type="checkbox"/> NA	<input type="checkbox"/> 1-617
Image					

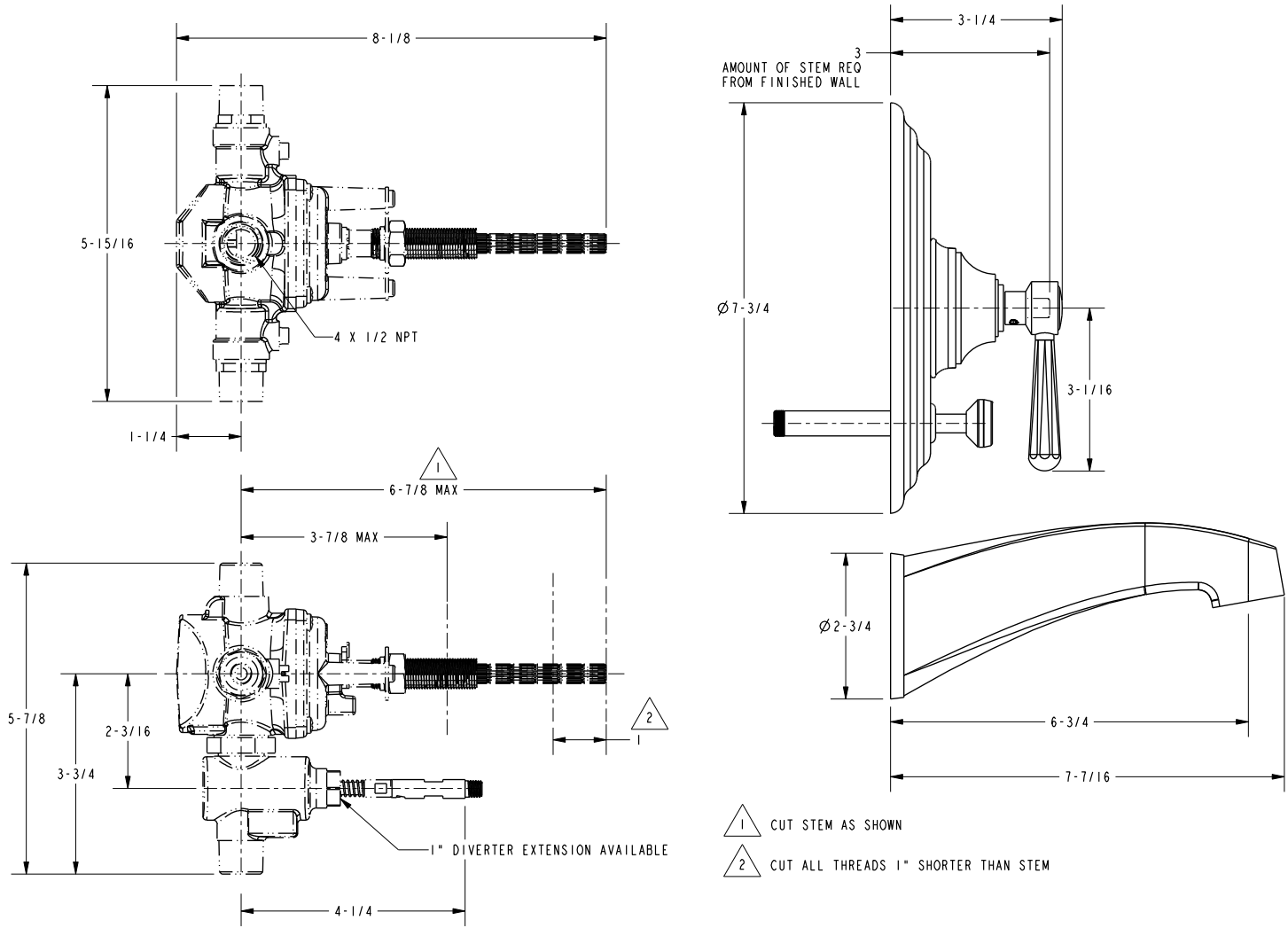
### Product Specification:

Add "Color / Finish" suffix to Model number, below.

The single-control Tub and Shower Trim (less showerhead, arm & flange) shall be made of solid brass construction. Tub and Shower Trim (less showerhead, arm & flange) shall include faceplate with ADA compliant handle and diverter pull-knob. Shower System Control Valve Trim(s) (Escutcheon/Handle) shall be ADA compliant when used with specified Shower System Control Valve. Tub and Shower Trim (less showerhead, arm & flange) shall be Newport Brass Model 4-1662BP/\_\_\_\_ and single-control Tub and Shower rough valve shall be Newport Brass Model 1-595. Shower System Control Valve Trim (Escutcheon/Handle) shall be 3-280L\_\_\_\_/\_\_\_\_ and Shower System Control Valve shall be 1-617.

# 4-1662BP

Product Dimensions (units are in inches)



Astaire Tub and Shower Trim (less showerhead, arm & flange)  
**4-1662BP**

**NEWPORT BRASS**  
 Flawless Beauty. From Faucet to Finish.™