

Features

- Solid brass construction
- Face plate with ADA compliant contemporary lever handle
- ADA compliant contemporary lever handle assembly for control valve
- Intended for use with Newport Brass rough valve(s) as specified (Required Accessory)

Codes / Standards Compliance

Meets or exceeds the following at date of manufacture:

- ASME A112.18.1/CSA B125.1
- ASSE 1016
- IAPMO/cUPC
- All applicable US Federal and State material regulations
- IPC
- ADA
- ICC/ANSI A117.1

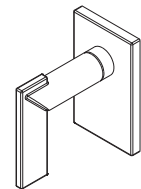
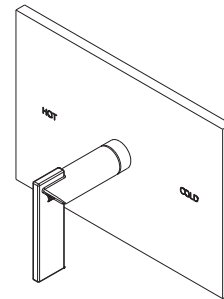
Colors / Finishes

- 10B: Oil Rubbed Bronze
- 15: Polished Nickel
- 15A: Antique Nickel
- 26: Polished Chrome
- Other: Refer to the Newport Brass catalog for additional color/finish options.

Tub or Shower Trim
(less tub spout or showerhead, arm & flange)

4-2544BP

Also 3-425



4-2544BP

3-425

Specified Model

Model	Description	Colors / Finishes				
4-2544BP	Tub or Shower Trim (less tub spout or showerhead, arm & flange)	<input type="checkbox"/> 10B	<input type="checkbox"/> 15	<input type="checkbox"/> 15A	<input type="checkbox"/> 26	<input type="checkbox"/> Other
3-425	Shower System Control Valve Trim (Escutcheon/Handle)	<input type="checkbox"/> 10B	<input type="checkbox"/> 15	<input type="checkbox"/> 15A	<input type="checkbox"/> 26	<input type="checkbox"/> Other

Required Accessory: Trim(s), above, and Rough Valve(s), below, must be specified.

Application	Tub Only Valve*	Shower (or Tub) Valve	Tub & Shower Valve	Shower System Valve	Control Valve
Description	2-Cartridge Assembly	Balance Pressure (BP)	BP w/ Diverter	Thermostatic	Diverter (3/4 port)
Inlet/Outlet Size	1/2"	1/2"	1/2"	3/4"	1/2"
Part Number	<input type="checkbox"/> NA	<input type="checkbox"/> 1-594	<input type="checkbox"/> NA	<input type="checkbox"/> NA	<input type="checkbox"/> 1-618
Image					

Product Specification: Add "Color / Finish" suffix to Model number, below.

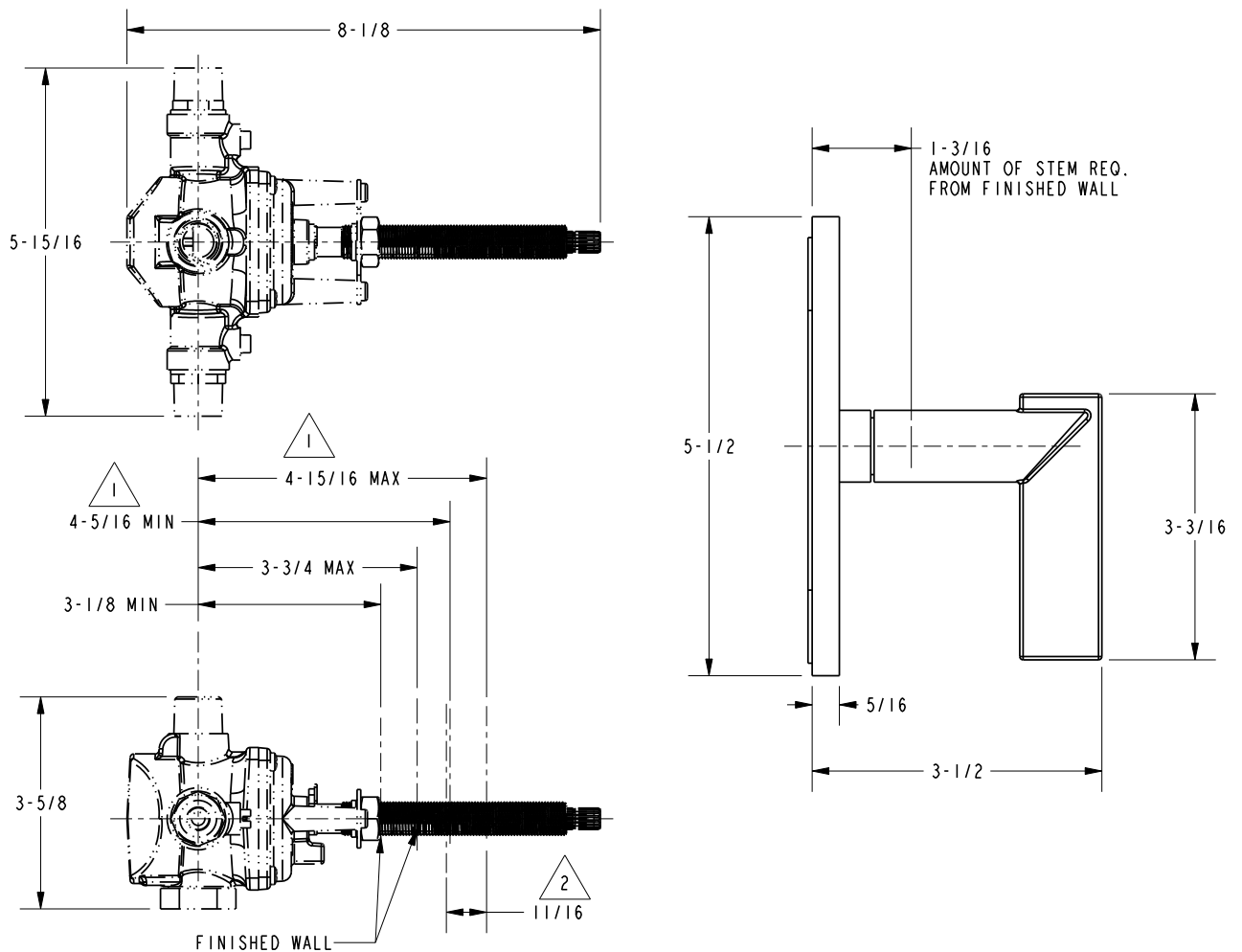
The single-control Tub or Shower Trim (less tub spout or showerhead, arm & flange) shall be made of solid brass construction. Tub or Shower Trim shall include faceplate with ADA compliant handle. Shower System Control Valve Trim(s) (Escutcheon/Handle) shall be ADA compliant when used with specified Shower System Control Valve. Tub or Shower Trim (less tub spout or showerhead, arm & flange) shall be Newport Brass Model 4-2544BP/____ and single-control Tub or Shower rough valve shall be Newport Brass Model 1-594. Shower System Control Valve Trim (Escutcheon/Handle) shall be 3-425/____ and Shower System Control Valve shall be 1-618.

4-2544BP

Product Dimensions *(units are in inches)*

NOTES:

- 1. CUT STEM TO DIMENSION SHOWN.
- 2. CUT ALL THREADS $11/16"$ SHORTER THAN STEM.



Metro Tub or Shower Trim
 (less tub spout or showerhead, arm & flange)
4-2544BP

page 2 of 2 spec_4-2544BP_rev-b

NEWPORT BRASS
 Flawless Beauty. From Faucet to Finish.™

t: 949.417.5207 | www.newportbrass.com
 ©2014 Brasstech, Inc.