

**INSTALLATION INSTRUCTIONS**  
**SLIDE BAR ASSEMBLY**  
**MODEL NO. 280D**

**NEWPORT BRASS.**

*Flawless Beauty. From Faucet to Finish.™*

**Recommended Installation by a Professional Plumbing Contractor**

Locate the desired position of slide bar on finished wall. See Fig. 1.

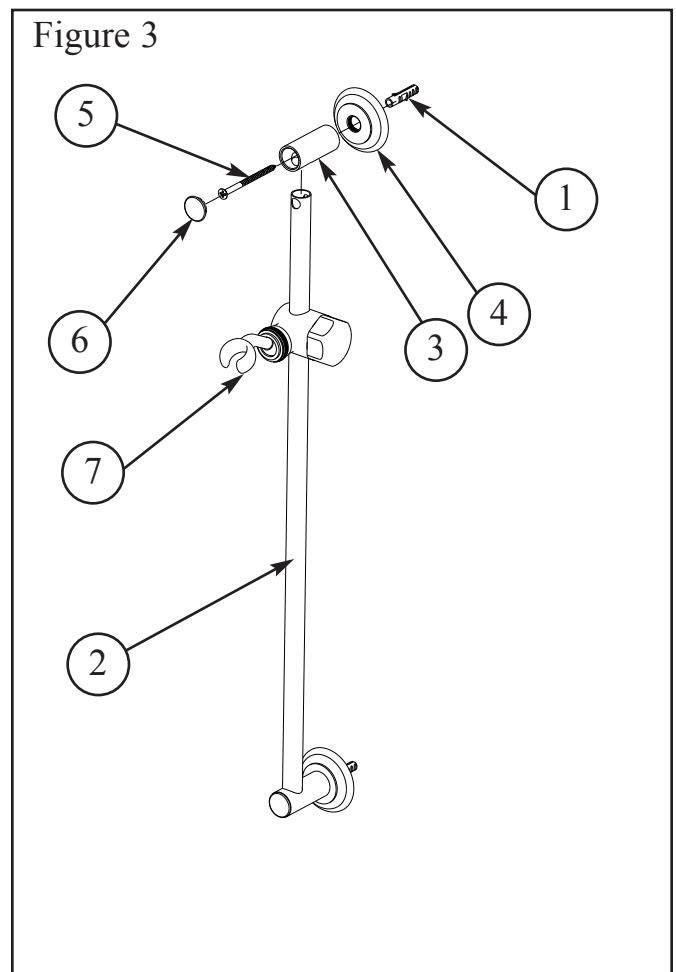
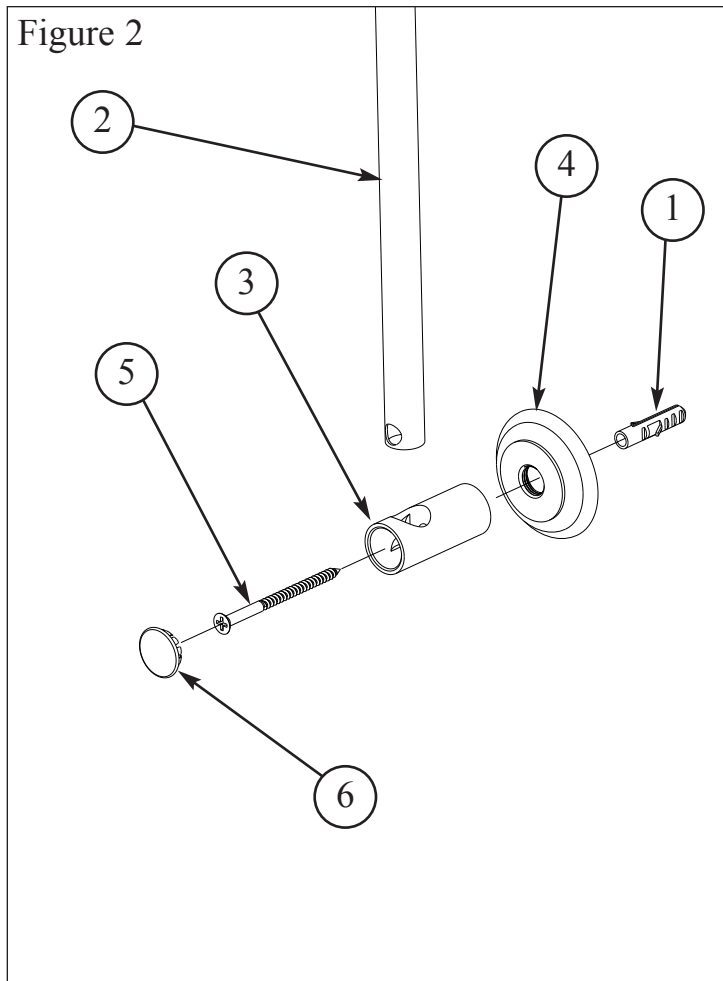
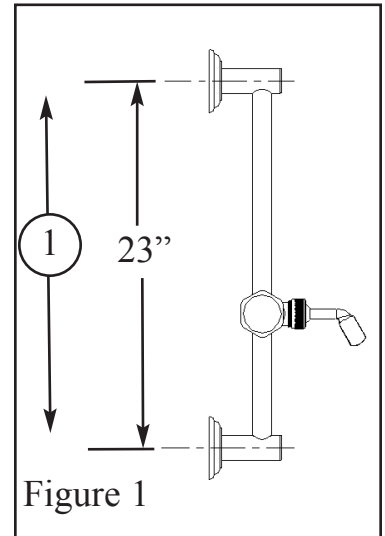
Mark wall and drill 5/16" hole for WALL ANCHORS (1) to dimension shown in Figure 1.

Place SLIDE BAR (2) into END POST (3). Note: Large diameter hole in SLIDE BAR (2) must face out as shown in Figure 2.

Place POST (3) onto ESCUTCHEON (4), insert SCREW (5) & securely tighten into ANCHOR (1) as shown in Figure 2.

Press END CAP (6) into end of POST (3).

Slide and lock HOLDER ASSEMBLY (7) onto SLIDE BAR (2) and repeat the above steps to the other end of SLIDE BAR (2) as shown in Figure 3.

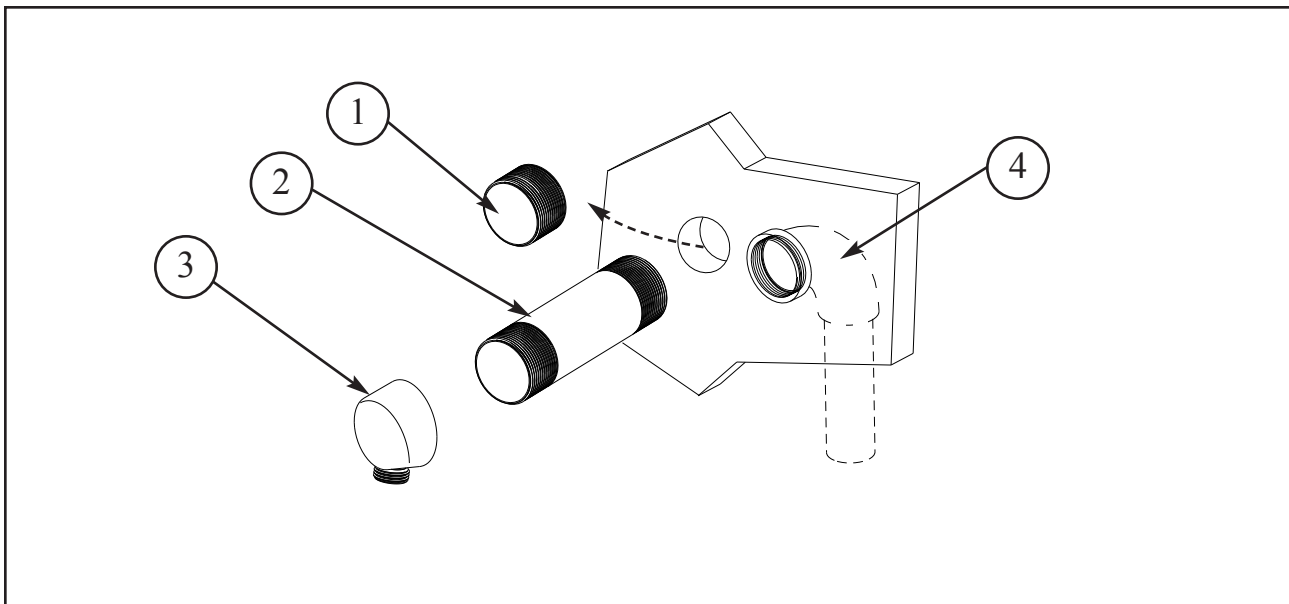


Where applicable, remove TEMPORARY PLUG (1) from fitting in wall.

Apply thread sealant to both ends of appropriate length NIPPLE (2), (not supplied).

Tighten NIPPLE (2) onto SUPPLY FITTING (4).

Tighten SUPPLY ELBOW (3) onto NIPPLE (2).



### Hand Shower & Hose Installation

Place RUBBER WASHER (1) into both ends of HOSE (2).

Attach the hex end of HOSE (2) onto SUPPLY ELBOW (3).

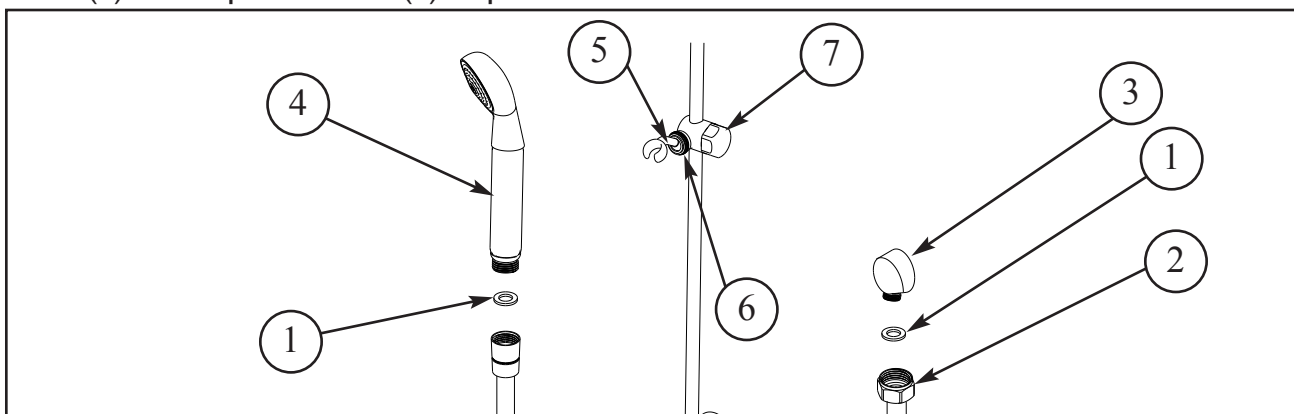
Attach HAND SHOWER (4) onto conical end of HOSE (2).

Place HAND SHOWER (4) into SLIDE BAR HOLDER (5).

### To adjusting Hand Shower on Slide Bar

Loosen or tighten COLLAR NUT (6) to allow HOLDER (5) movement to desired position.

Loosen CAP HANDLE (7) and move HOLDER (5) to desired vertical location. Retighten CAP HANDLE (7) to keep HOLDER (5) in place.



(949) 417-5207