

Reserve Tissue Holder Installation Instructions

Model No. 10-30, 12-30, 13-30, 15-30, 16-30, 17-30, 19-30, 22-30, 23-30, 24-30

Recommended Installation by a Professional Contractor

1. Drill hole in wall at desired location using the appropriate drill size:

- Wood Screw (#6 x 2") - use: 3/32" Drill
- Toggle Screw (6-32 x 3") - use: 3/8" Drill

2. Fasten BASE (1) to wall using either WOOD/TOGGLE SCREWS (2). (See Fig. 1)
(Model 26-13, with Square BASE (1) configuration, (not shown) to be level.)

3. Thread ADAPTER (3) onto BASE (1). Position SPLINE (4), per the Table below, at the proper height from mounting surface. Secure into place by tightening SETSCREW (5). (See Fig. 2)

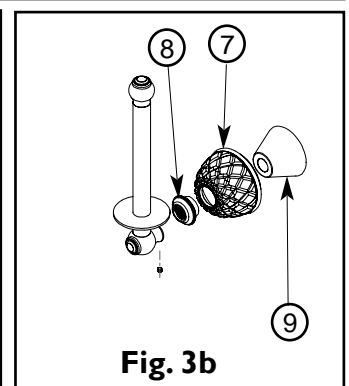
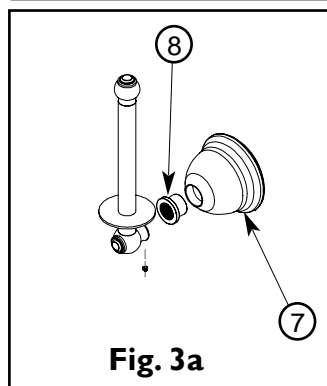
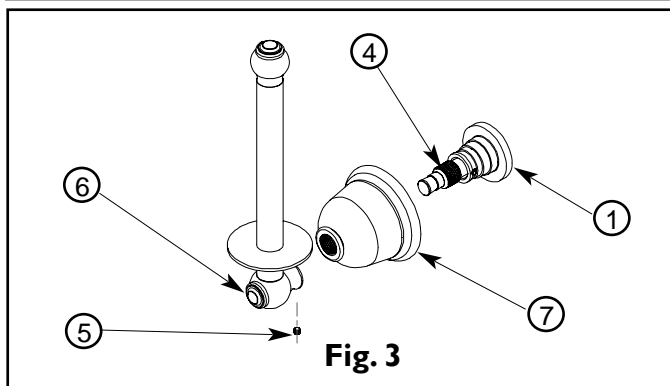
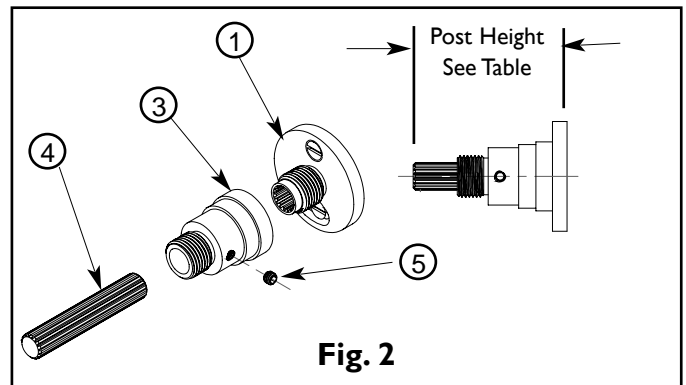
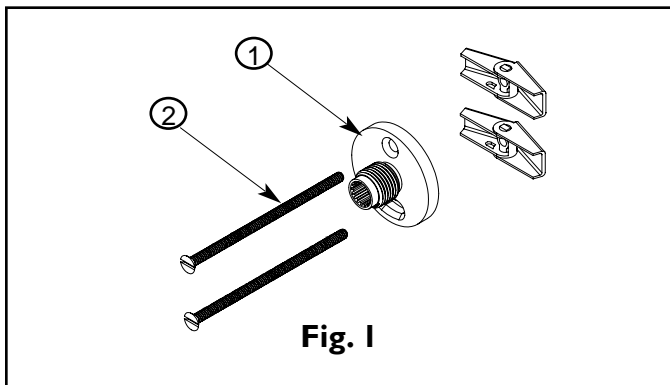
MODEL	10-, 15-	23-	12-	13-, 16-, 17-, 19-	24-	22-
POST HT.	2 5/16"	2 9/16"	2 3/8"	2 1/8"	2 1/16"	2 3/16"

4. Temporarily place POST (6) onto BASE (1) to check alignment. If necessary, loosen lower screw on BASE (1) and adjust. Retighten screw.

5. When applicable to model, locate the ESCUTCHEON and or DECORATIVE RING (7) over BASE (1), otherwise - Place POST (6) over SPLINE (4) and against the ESCUTCHEON (7) or BASE (1). Secure into place by tightening the SETSCREW (5). (See Fig. 3)

5a. When applicable to model, insert the ESCUTCHEON NUT (8) into top of ESCUTCHEON (7). (See Fig. 3a) Assemble and secure with additional items per Fig. 3.

5b. In addition to an ESCUTCHEON NUT (8), CRYSTAL ESCUTCHEON (7) also contains an ESCUTCHEON SHROUD (9). (See Fig. 3b) Assemble and secure with additional items per Fig. 3.



NEWPORT BRASS.
The Luxury of Style

(949)417-5207

Santa Ana CA 92705

www.brasstech.com

AMS-10-30

1/15/04