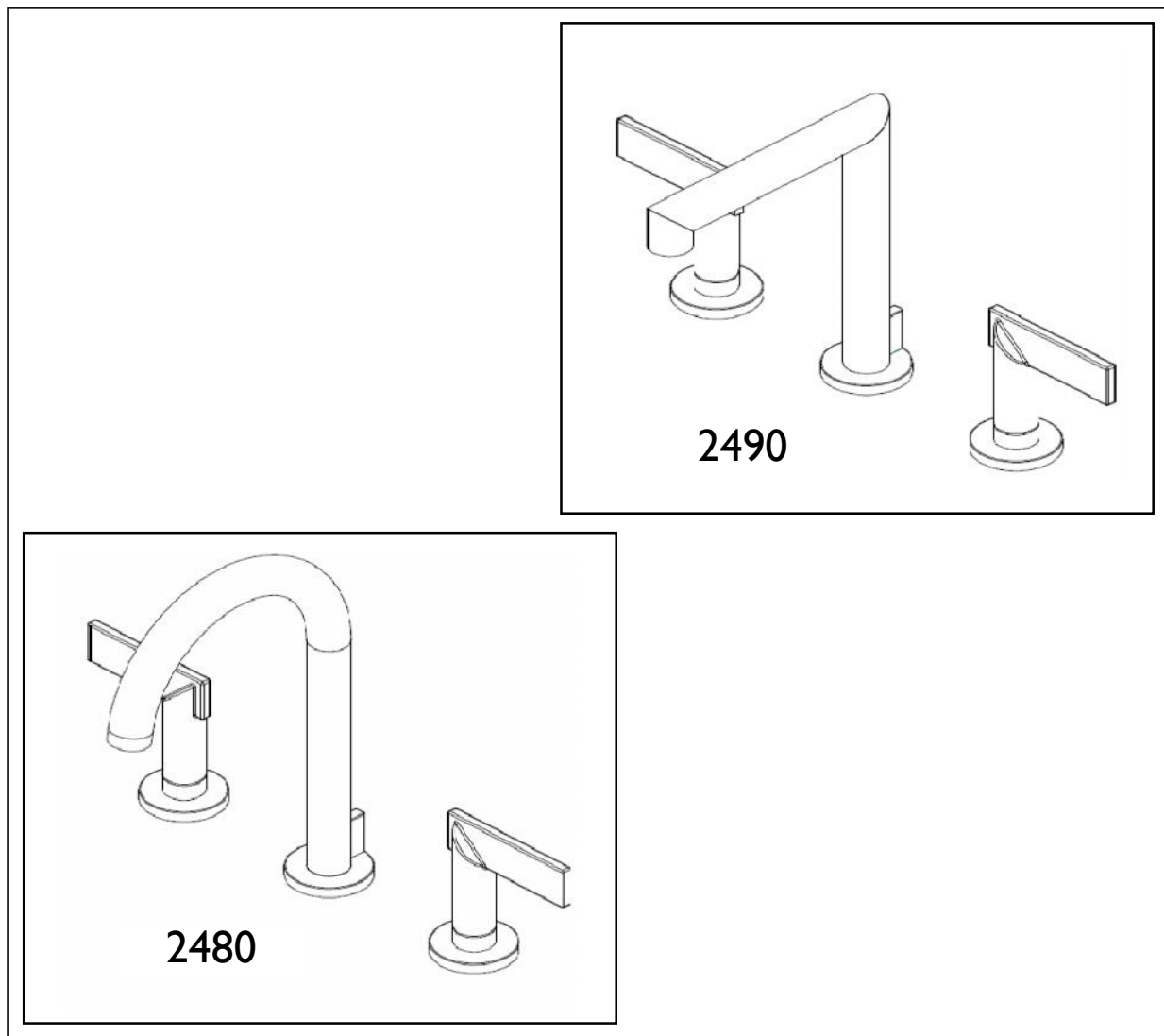


# PRIYA / KEATON

## WIDESPREAD LAVATORY SET INSTALLATION INSTRUCTIONS

Model No: 2480 / 2490



# NEWPORT BRASS

Flawless Beauty. From Faucet to Finish.™

2001 CARNEGIE AVE, SANTA ANA CA 92705

(949) 417-5207

[WWW.NEWPORTBRASS.COM](http://WWW.NEWPORTBRASS.COM)

## We recommended installation of this product by a Professional Plumbing Contractor

**Note:** The use of petroleum base plumbers putty on our products will nullify the warranty. We recommend the use of clear silicone sealing materials. Recommended deck hole  $\varnothing$ 1-3/8" for center hole and  $\varnothing$ 1-3/16" for two side holes. \* If side holes are drilled to 1-3/8" use o-ring provided with inverted mounting NUT (1). See Figure 1.

1. Place flange NUT (2), and SPACER (3) on VALVE (4). Insert VALVE (4), (blue/cold and red/hot), through the hole in the mounting surface (5) and thread into inverted mounting NUT (1) until it bottoms out (the top of VALVE (4) will be **1-3/16"** above the top of mounting surface). Before tightening down flange NUT (2), check alignment of HANDLE (14). Any adjustments for rotational alignment must be made to the valve BODY (4), not to the CARTRIDGE (15). Place escutcheon (5a) over VALVE (4). **See Figure 1 and 1a.**
2. Place the SPOUT (6) hoses, one at a time & threaded rod through center deck hole. Secure SPOUT (6) into place with GASKET (7) WASHER (8) and NUT (9).
3. Connect the loose end of flexible HOSE (10) to side outlet of valve BODY (4). (Hand-tighten and secure each connection with a wrench ¼ turn.) Repeat on other side. **See Figure 2.**
4. Connect hot/cold water supply to appropriate 1/2" NPSM valve BODY (4), utilizing one of the three following types of risers. Supply risers not included. **See Figure 3.**
  - a. 1/2" IPS flexible riser: discard rubber nosecone WASHER (11), friction WASHER (12) and coupling NUT (13).
  - b. 3/8" or 1/2" OD bullnose riser: utilize friction WASHER (12) and coupling NUT (13).
  - c. 1/2" copper riser: utilize rubber nosecone WASHER (11), friction WASHER (12) and coupling NUT (13).
5. Secure HANDLE (14) into place by first engaging the stem of CARTRIDGE (15). Any adjustments for rotational alignment must be made to the valve BODY (4), not to the CARTRIDGE (15). Repeat on other side. **See Figure 4.**
6. Remove drain PLUG (16) from FLANGE (17). Place FLANGE (17) and white WASHER (18) through sink drain opening. (Clear silicone may be used in place of white washer.) From bottom side of sink, place cone shaped rubber WASHER (19) onto FLANGE (17) and slide up against sink bottom. *Note: Cone portion of washer should face upward.* Next slide on clear flat WASHER (20) and secure with flange NUT (2). Place clear WASHER (23) into drain BODY (21) and tighten to FLANGE (17). Apply thread sealant to TAILPIECE (22) and attach to drain BODY (21). Attach TAILPIECE (22) to p-trap drain (not included). **See Figure 5.**
7. Insert ball ROD (27) into the drain rod OPENING (28); Attach pop-up KNOB (31) to pop-up ROD (24). Insert pop-up ROD (24) through SPOUT (6) and secure to STRAP (25), approximately 1" from end of pop-up ROD (24), with SCREW (26). Place drain PLUG (16) into FLANGE (17). Adjust the rise of the plunger and CLIP (29) into place. Adjust ball ROD (27) and pop-up ROD (24) so drain will open and close properly. **See Figure 6.**
8. Remove AERATOR (30) from SPOUT (6). Turn on water supply, and flush both VALVES (4) until water is clear. Check for leaks and make any final adjustments required. Re-attach AERATOR (30) to the SPOUT (6).

