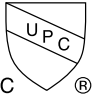


NEWPORT BATH

Showerhead

212



Features

- Solid brass construction
- Traditional styling
- 6-nozzle design with variable spray modes
- Side-mounted rotational spray control
- 1/2" NPT inlet pivot ball fitting
- 2-13/16" (7.1 cm) showerhead diameter
- 2.0 gallons (7.6 liters) per minute maximum flow rate

Codes / Standards Compliance

Meets or exceeds the following at date of manufacture:

- ASME A112.18.1/CSA B125.1
- IAPMO/cUPC
- IPC
- Energy Policy Act of 1992
- All applicable US Federal and State material regulations

Colors / Finishes

- 10B: Oil Rubbed Bronze
- 15: Polished Nickel
- 15A: Antique Nickel
- 26: Polished Chrome
- Other: Refer to the Newport Brass catalog for additional color/finish options.



Specified Model

Model	Description	Colors / Finishes
212	Showerhead	<input type="checkbox"/> 10B <input type="checkbox"/> 15 <input type="checkbox"/> 15A <input type="checkbox"/> 26 <input type="checkbox"/> Other

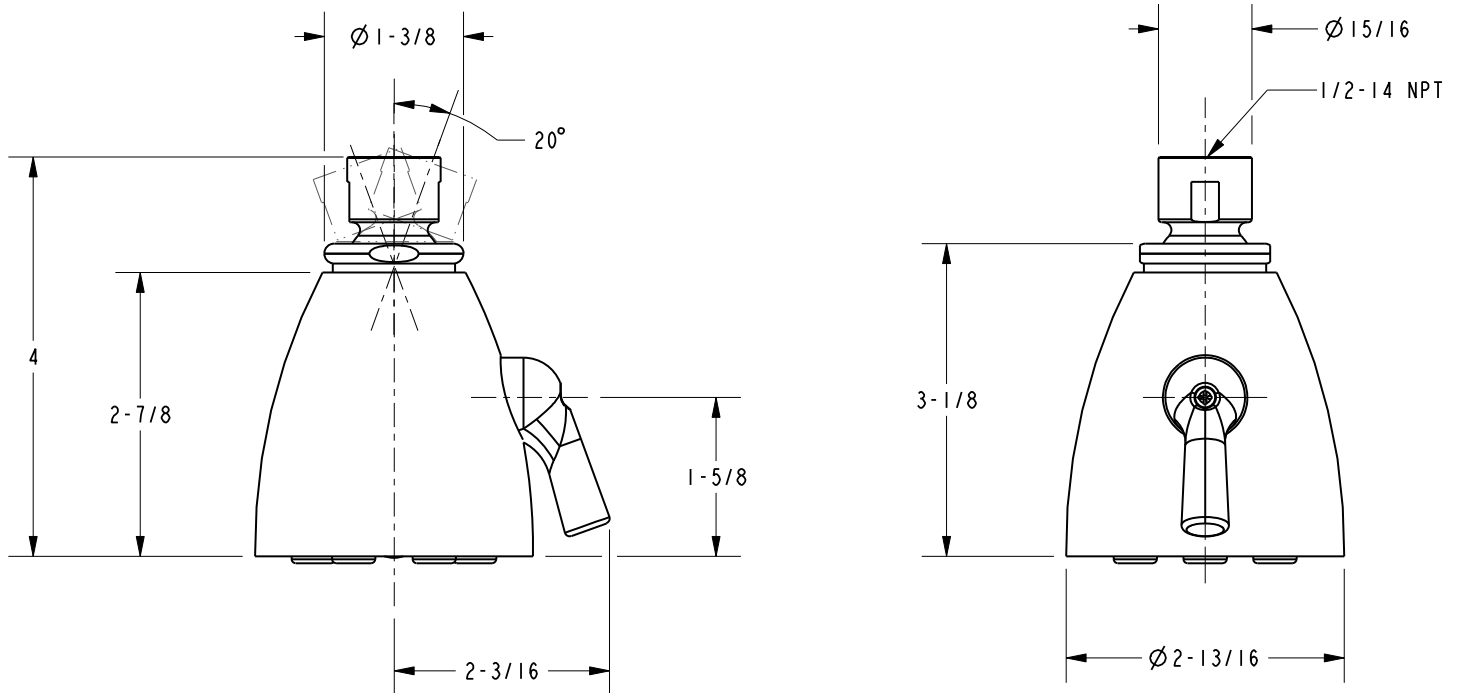
Product Specification:

Add "Color / Finish" suffix to Model number, below.

The Showerhead shall be of solid brass construction while incorporating a non-metallic showerhead engine. Showerhead shall have an 6-nozzle design with variable spray modes and incorporate a side-mounted rotational spray control functionality. Showerhead shall have a 1/2" NPT inlet fitting and 2-13/16" (7.1 cm) showerhead diameter while operating at 2.0 gallons (7.6 liters) per minute maximum flow rate. Showerhead shall be Newport Brass Model 212/____.

NEWPORT BATH

Product Dimensions (units are in inches)



Newport Bath Showerhead
212

page 2 of 2

spec_212

NEWPORT BRASS
Flawless Beauty. From Faucet to Finish.™

t: 949.417.5207 | www.newportbrass.com

©2010 Brasstech, Inc.