

**Showerhead**

**209**



**Features**

- Solid brass construction
- Traditional styling
- Simulated rainfall shower pattern
- Classic rain-can functionality
- 1/2" NPSM inlet fitting
- 5-1/2" (14 cm) showerhead diameter
- 2.0 gallons (7.6 liters) per minute maximum flow rate

**Codes / Standards Compliance**

Meets or exceeds the following at date of manufacture:

- ASME A112.18.1/CSA B125.1
- IAPMO/cUPC
- IPC
- Energy Policy Act of 1992
- All applicable US Federal and State material regulations



**Colors / Finishes**

- 10B: Oil Rubbed Bronze
- 15: Polished Nickel
- 15A: Antique Nickel
- 26: Polished Chrome
- Other: Refer to the Newport Brass catalog for additional color/finish options.

**Specified Model**

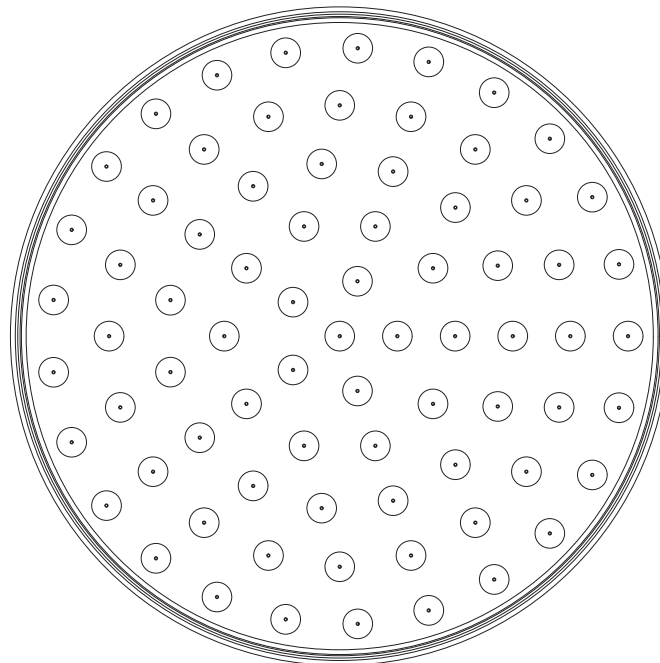
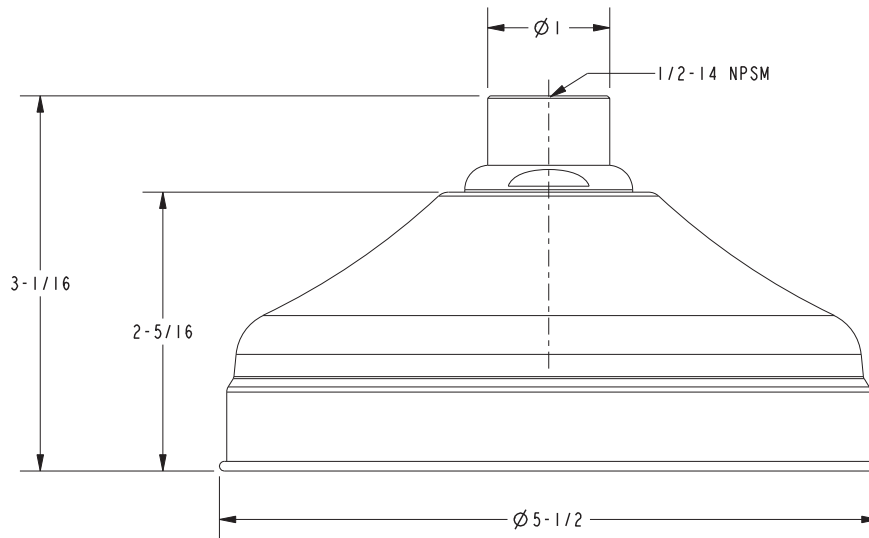
Model	Description	Colors   Finishes				
209	Showerhead	<input type="checkbox"/> 10B	<input type="checkbox"/> 15	<input type="checkbox"/> 15A	<input type="checkbox"/> 26	<input type="checkbox"/> Other

**Product Specification: Add "Color / Finish" suffix to Model number, below.**

The Showerhead shall be of solid brass construction. Showerhead shall have a simulated rainfall shower pattern and classic rain-can functionality. Showerhead shall have a 1/2" NPSM inlet fitting and 5-1/2" (14 cm) showerhead diameter while operating at 2.0 gallons (7.6 liters) per minute maximum flow rate. Showerhead shall be Newport Brass Model 209/\_\_\_\_.

# NEWPORT BATH

## PRODUCT DIMENSIONS *(Units are in inches)*



SCALE .750

**Newport Bath Showerhead  
209**