



Buy it for looks. Buy it for life.®

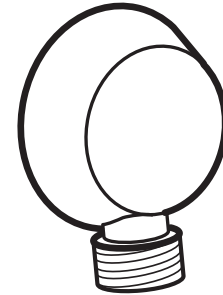
# Specifications

## DESCRIPTION

- Metal construction with various finishes identified by suffix

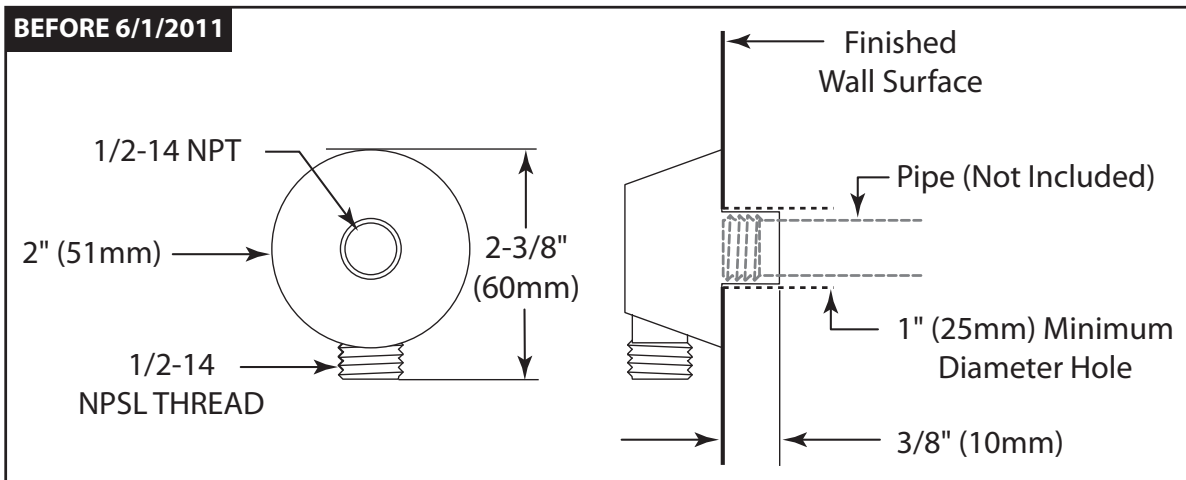
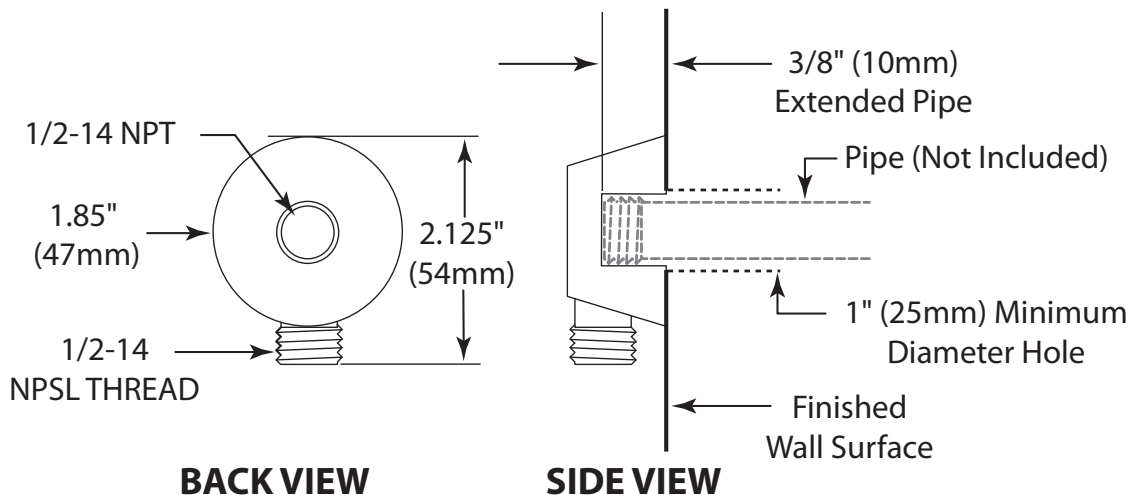
## WARRANTY

- Warranted for one year against material or manufacturing defects



**DROP ELL**

**Models:** A725 series



## CRITICAL DIMENSIONS

(DO NOT SCALE)



Buy it for looks. Buy it for life.®

# Specifications

## DESCRIPTION

- Various finishes identified by suffix
- Handheld shower
- 69" double interlock spiral hose (metal)
- Double check valve in handle
- 30" slide bar with push button height selection

## OPERATION

- Single function
- Handshower holder rotates to adjust angle of handshower

## FLOW

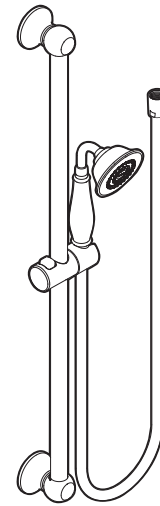
- PE suffix models designed to deliver 2.0 gpm (7.6 L/min) at 80 psi

## STANDARDS

- Designed and manufactured to comply with the applicable requirements of ASME A112.18.1/CSA B-125.1, ASSE 1014 and all applicable specifications referenced therein

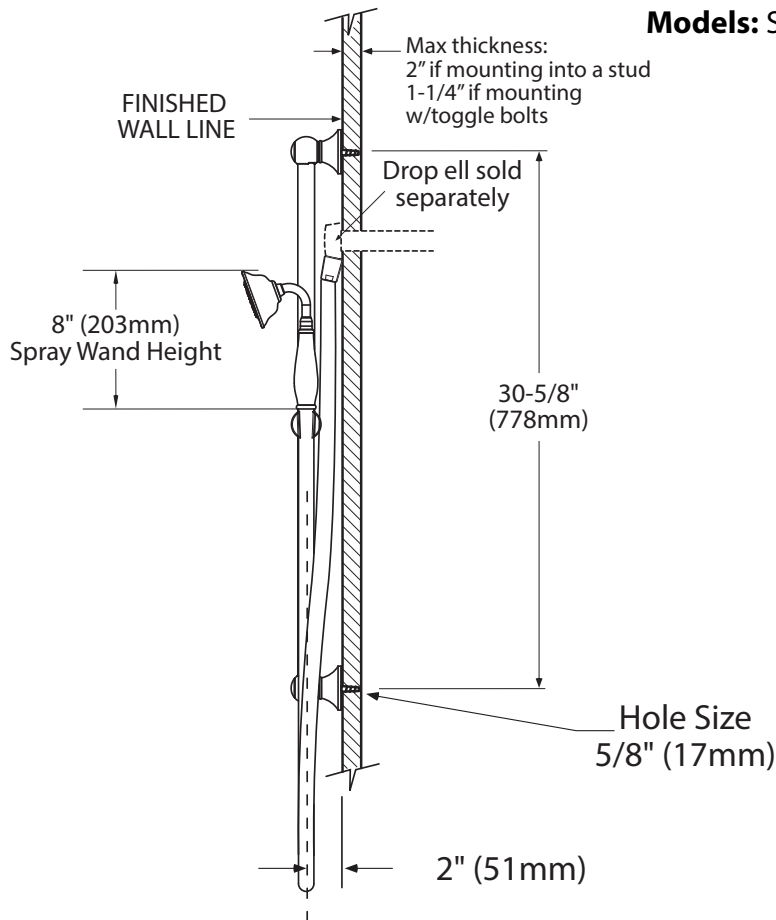
## WARRANTY

- Limited lifetime warranty against material or manufacturing defects



**Weymouth™**  
**Single Function Handshower**  
**with Slidebar**

**Models:** S12107EP series



## CRITICAL DIMENSIONS

(DO NOT SCALE)



Buy it for looks. Buy it for life.®

# Specifications

## DESCRIPTION

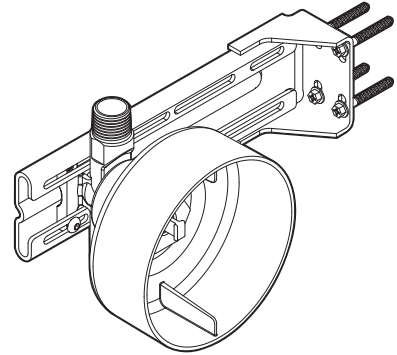
- Metal construction
- 1/2" CC and IPS connections
- Includes mounting bracket and test plug

## STANDARDS

- Third party certified to ASME A112.18.1/ CSA B125.1, and all applicable requirements referenced therein

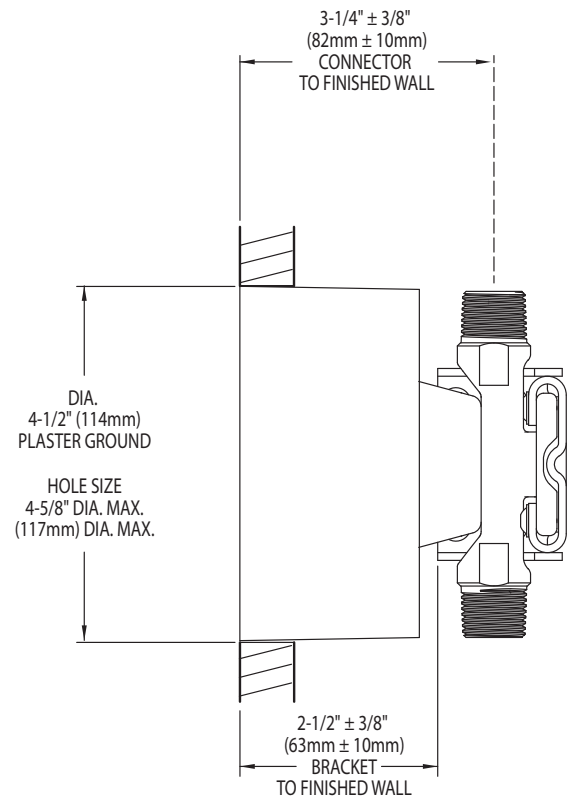
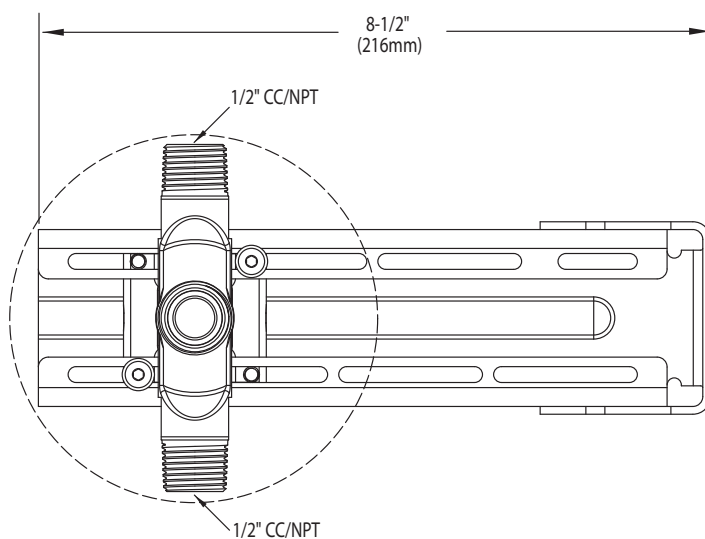
## WARRANTY

- Lifetime limited warranty against leaks to the original consumer purchaser
- 5 year warranty if used in commercial installations



**Body Spray Rough-In**

**Model: S1300**



## **CRITICAL DIMENSIONS**

(DO NOT SCALE)

**FOR MORE INFORMATION CALL: 1-800-BUY-MOEN**

[www.moen.com](http://www.moen.com)



Buy it for looks. Buy it for life.®

# Specifications

## DESCRIPTION

- Brass construction
- 3/4" IPS connections
- Thermostatic valve design with integral checkstops
- 18 gpm @ 60 psi

## OPERATION

- Temperature lever operates through a 340 degree arc with maximum cold at full clockwise rotation and maximum hot at full counterclockwise rotation
- Safety stop preset temperature at 105 degrees F ( 41degrees C)
- Safety stop override allows maximum temperature at 120 degrees F (49 degrees C)
- Factory established temperature range from 80 degrees F (27 degrees C) to 120 degrees F (49 degrees C)
- Must be used with at least one S3600 valve.

## CARTRIDGE

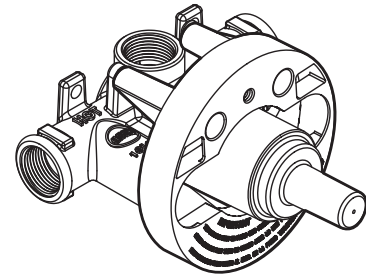
- Thermostatic cartridge design with non metallic/nonferrous materials

## STANDARDS

- Third party certified to meet ASME A112.18.1/CSA B-125.1, CSA B125.3, ASSE 1016, ASSE 1070 and all applicable requirements referenced therein

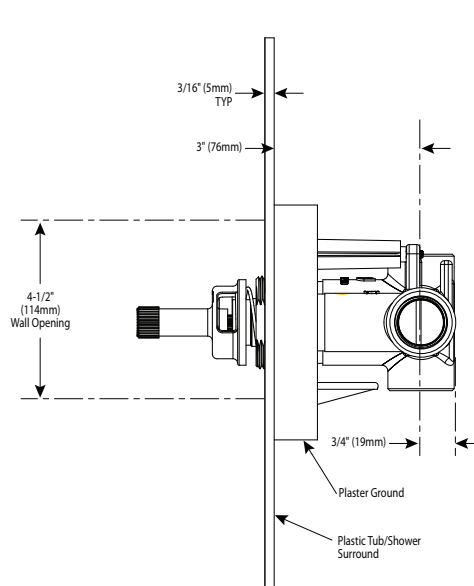
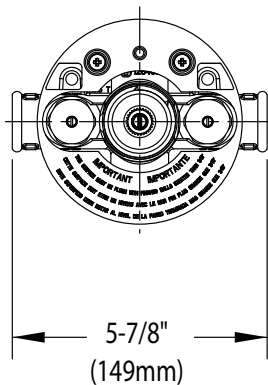
## WARRANTY

- Lifetime limited warranty against leaks, drips and finish defects to the original consumer purchaser
- 5 year warranty if used in commercial installations

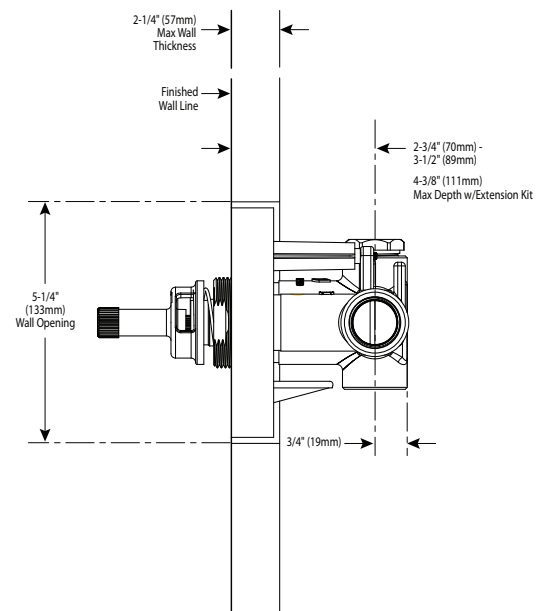


## ExactTemp® 3/4" Thermostatic Valve

Model: S3371



Thin Wall



Thick Wall

## CRITICAL DIMENSIONS

(DO NOT SCALE)



Buy it for looks. Buy it for life.®

# Specifications

## DESCRIPTION

- Brass construction
- 3/4" IPS connections
- 13 gpm @ 60 psi

## OPERATION

- Flow lever operates counterclockwise through a 90° arc with off at 6 o'clock and maximum flow at the 3 o'clock position.
- Shut off in clockwise direction

## CARTRIDGE

- Ceramic disc cartridge design

## INSTALLATION

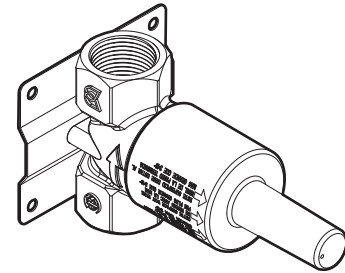
- Volume control valve must be installed with the arrow pointing in the water flow direction

## STANDARDS

- Third party certified to meet CSA B-125.1, ASME A112.18.1 and all applicable requirements referenced therein including ASSE1016

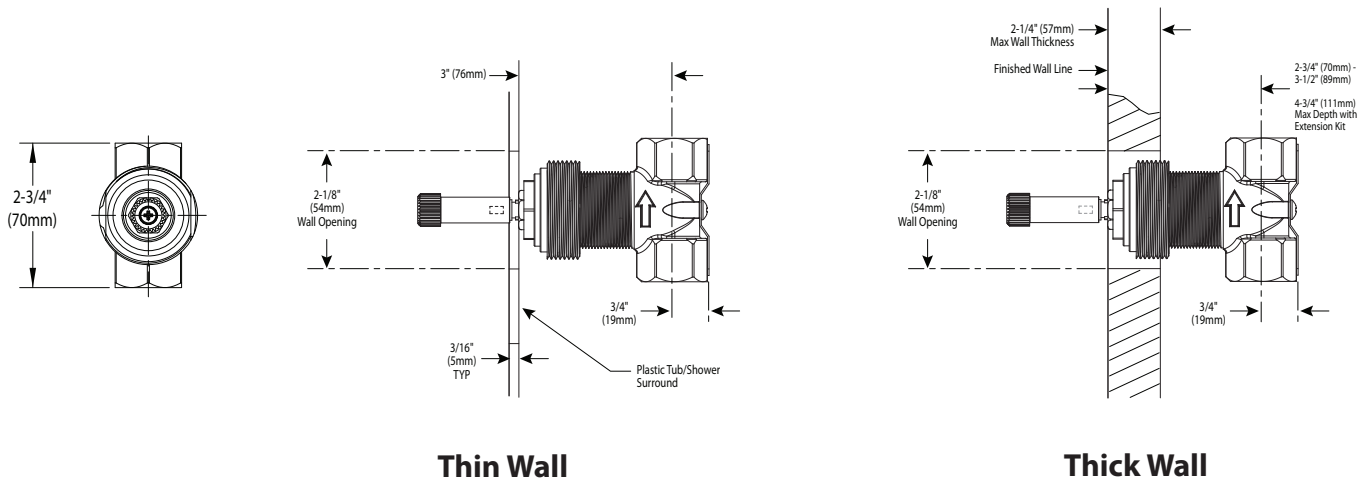
## WARRANTY

- Lifetime limited warranty against leaks, drips and finish defects to the original consumer purchaser
- 5 year warranty if used in commercial installations



## 3/4" Volume Control Valve

Model: S3600



## CRITICAL DIMENSIONS

(DO NOT SCALE)



Buy it for looks. Buy it for life.®

# Specifications

### DESCRIPTION

- Single function spray with various finishes identified by suffix
- Immersion technology

### OPERATION

- Spray face tilts 20 degrees in any direction

### FLOW

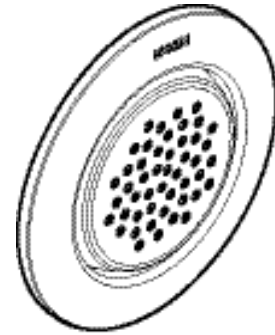
- Designed to deliver 2.0 gpm max (7.6 L/min) at 80 psi

### STANDARDS

- Third party certified to ASME A112.18.1/ CSA B125.1, and all applicable requirements referenced therein

### WARRANTY

- Lifetime limited warranty against leaks and finish defects to the original consumer purchaser
- 5 year warranty if used in commercial installations

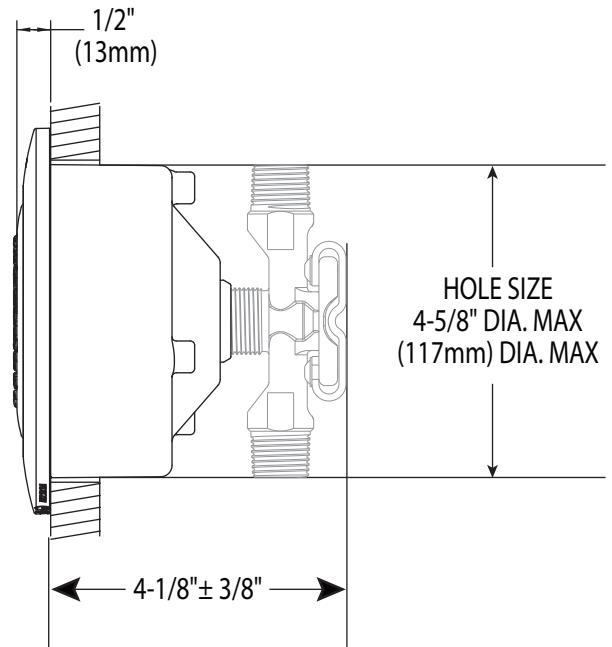
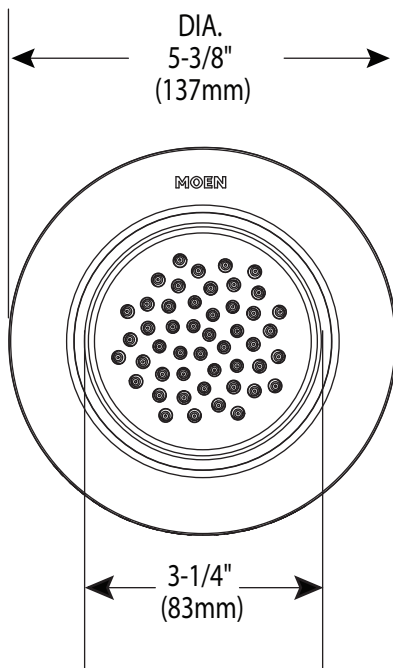


## Single Function Body Spray

**Models:** TS1322 series

**Rough-In:** S1300

**1" Extension Kit:** 155656  
(available separately)



## CRITICAL DIMENSIONS

(DO NOT SCALE)



Buy it for looks. Buy it for life.®

# Specifications

## FAUCET DESCRIPTION

- Metal construction with various finishes identified by suffix
- Includes 9" rainshower showerhead, arm and flange
- For use with S3371, 3/4" thermostatic valve and S3600, volume control valve

## OPERATION

- Flow lever operates counterclockwise through a 90° arc with shut off at 6 o'clock and maximum flow at the 3 o'clock position. Shut off in clockwise direction
- Temperature lever operates through a 340° arc with maximum cold at full clockwise rotation and maximum hot at full counterclockwise rotation
- Safety stop preset temperature at 105°F (41°C)
- Safety stop override allows maximum temperature at 120°F (49°C)
- Factory established temperature range from 70°F (21°C) to 120°F (49°C)
- Shower: Two function, rain and rinse: operate lever to select

## FLOW

- Showerhead is limited to 2.5 gpm (9.5 L/min) at 80 psi

## CARTRIDGE

- 130156 thermostatic cartridge design with non metallic/nonferrous materials
- 130157 volume ceramic disc cartridge design

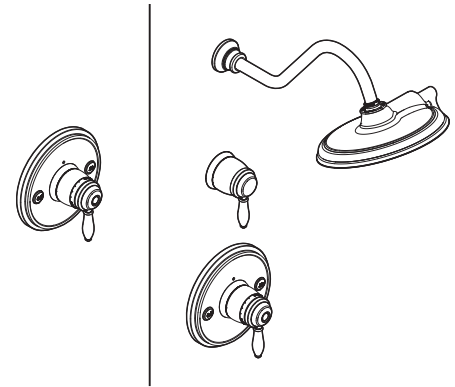
## STANDARDS

- Third party certified to: ASME A112.18./CSA B-125.1, ASSE1016 and all applicable requirements referenced therein

- **ADA**  for lever handle

## WARRANTY

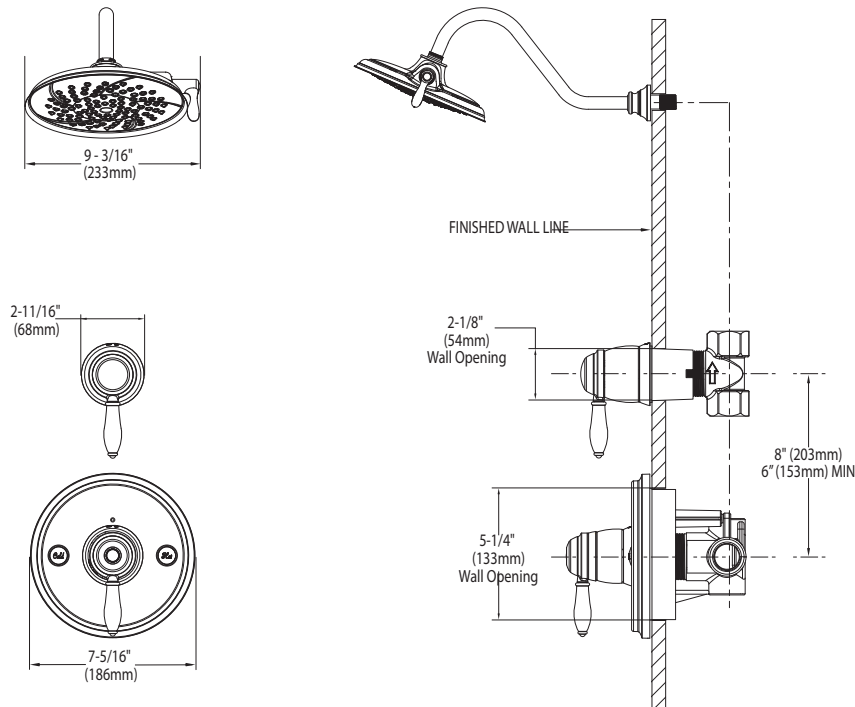
- Lifetime limited warranty against leaks, drips and finish defects to the original consumer purchaser
- 5 year warranty if used in commercial installations



## WEYMOUTH™ 3/4" Thermostatic Shower Trim

**Models:** TS32110 series - Valve Trim only  
TS32112 series - Shower Trim only

**Valve Models:** S3371, S3600  
(sold separately)



## CRITICAL DIMENSIONS

(DO NOT SCALE)



Buy it for looks. Buy it for life.®


**DESCRIPTION**

- Metal construction with various finishes identified by suffix
- For use with S3600 3/4" volume control valve

**OPERATION**

- Lever style handle operation

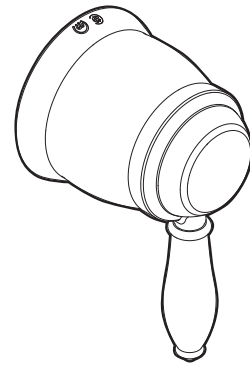
**STANDARDS**

- Third party certified to meet ASME A112.18.1/CSA B125.1, and all applicable requirements referenced therein
- **ADA**  for lever handle

**WARRANTY**

- Lifetime limited warranty against leaks, drips and finish defects to the original consumer purchaser
- 5 year warranty if used in commercial installations

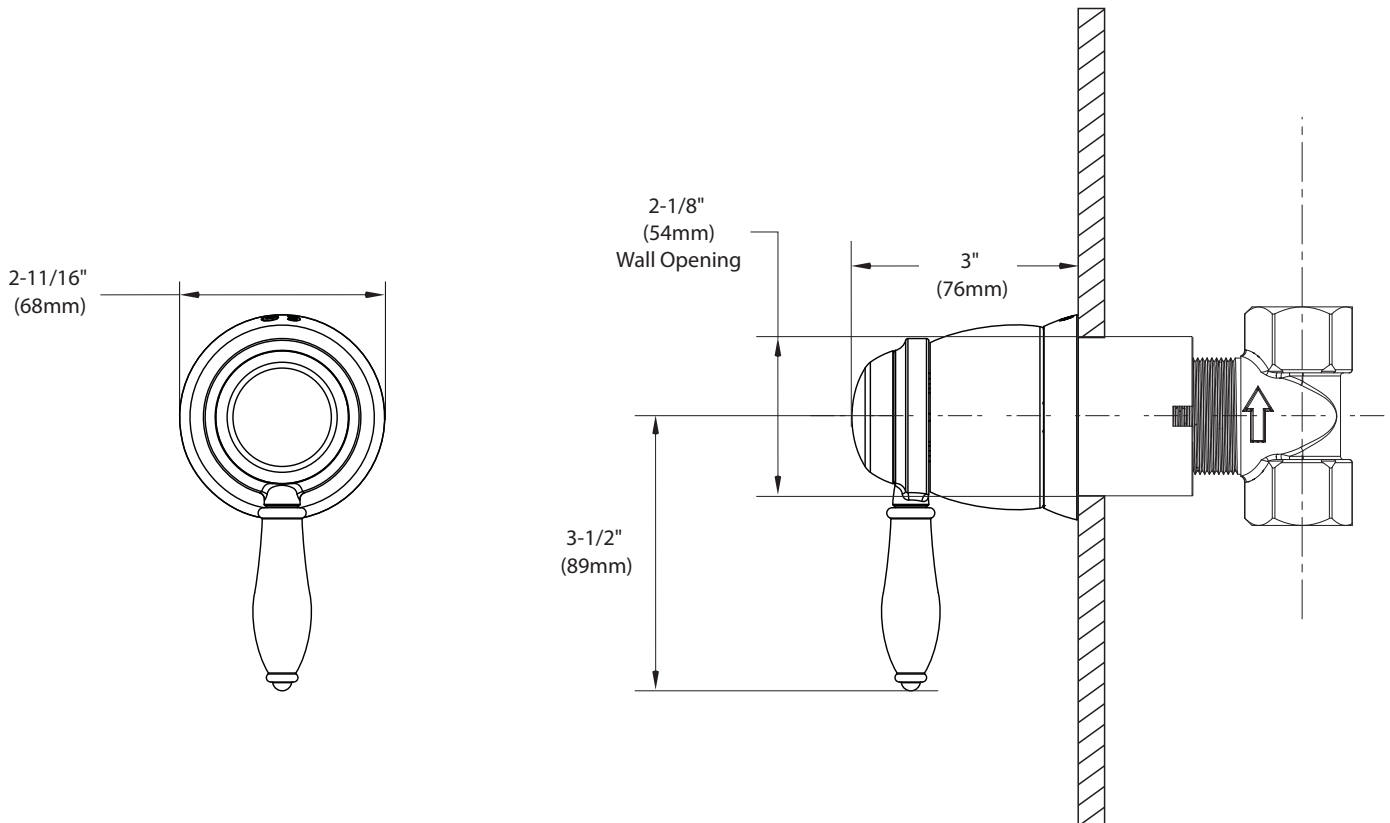
# Specifications



**WEYMOUTH™**  
**Single Function Flow Valve Trim**

**Models:** TS52104 series

**Valve:** S3600 (sold separately)



**CRITICAL DIMENSIONS**

(DO NOT SCALE)