

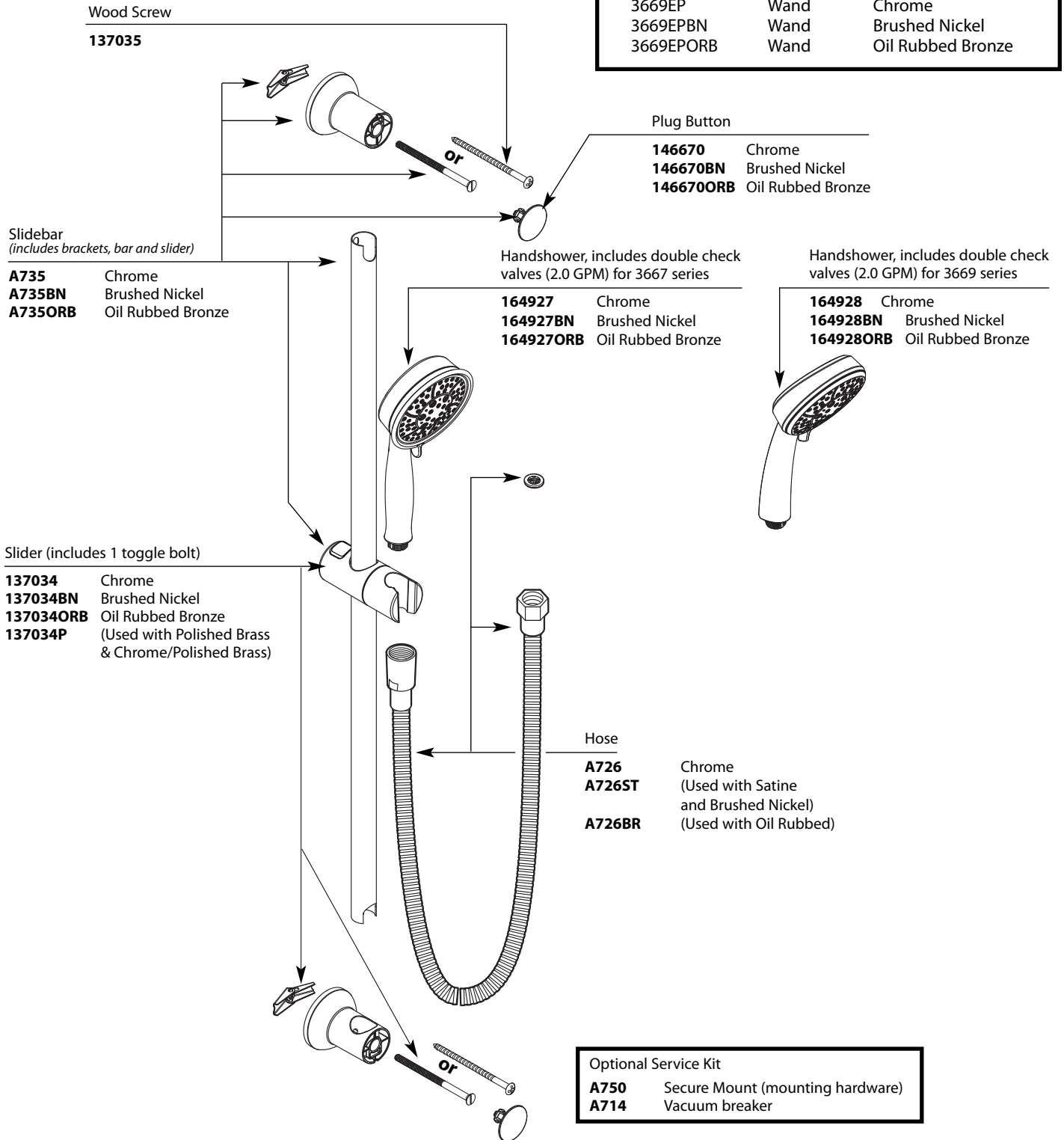


Buy it for looks. Buy it for life.®

# Illustrated Parts

## Four Function Handshower

MODEL	TYPE	FINISH
3667EP	Wand	Chrome
3667EPBN	Wand	Brushed Nickel
3667EPORB	Wand	Oil Rubbed Bronze
3669EP	Wand	Chrome
3669EPBN	Wand	Brushed Nickel
3669EPORB	Wand	Oil Rubbed Bronze



Optional Service Kit	
<b>A750</b>	Secure Mount (mounting hardware)
<b>A714</b>	Vacuum breaker



Buy it for looks. Buy it for life.®

# Illustrated Parts

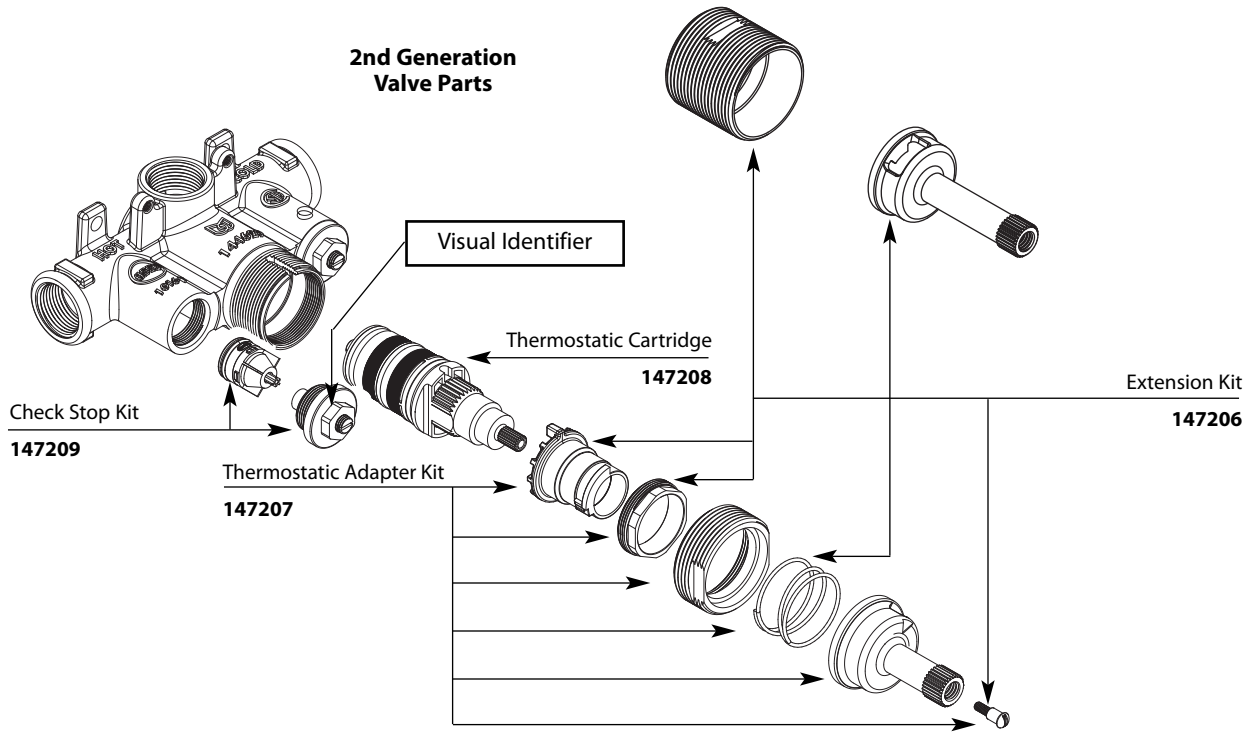
■ Order by Part Number

There is more than 1 version of this model.  
Page down to identify the version you have.

- 2nd generation valve manufactured on and after September 3rd, 2009. Can be identified by the check stop nut (smaller drive feature).
- 147208 Thermostatic cartridge will not work in 1st generation valves.

**ExactTemp®  
3/4" Thermostatic Valve**

**MODEL**  
S3371





Buy it for looks. Buy it for life.®

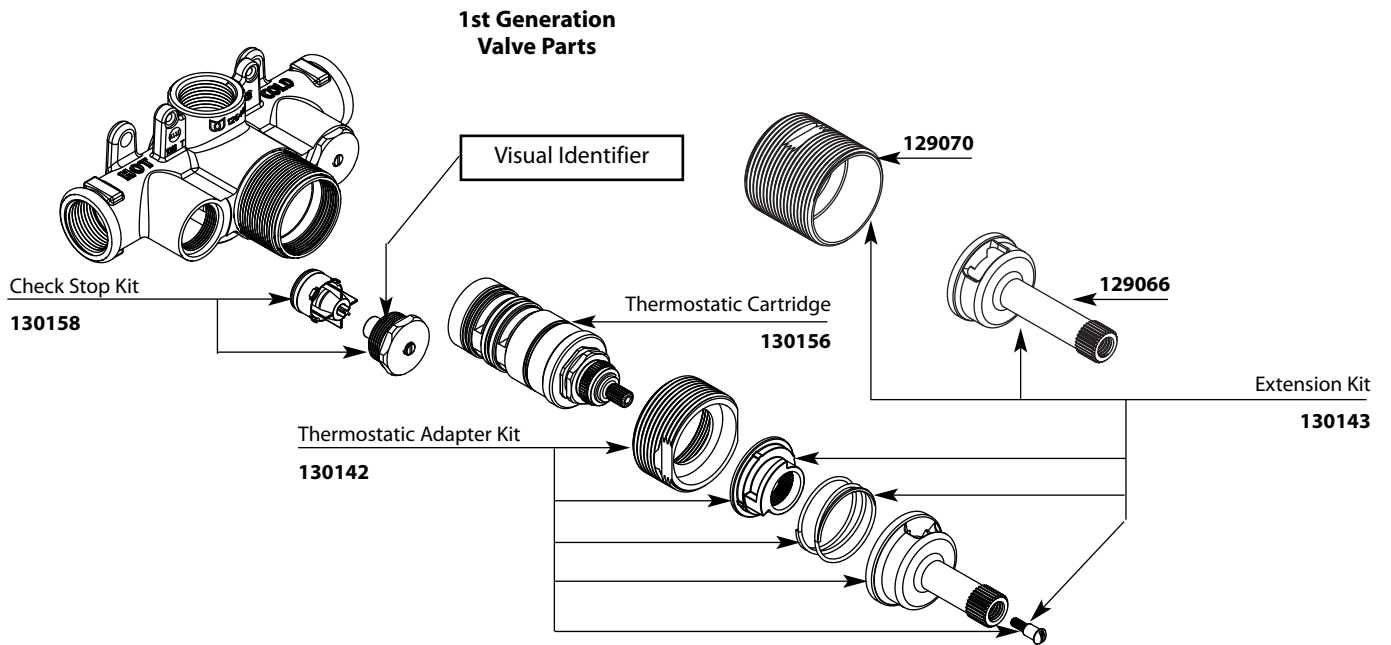
# Illustrated Parts

## ■ Order by Part Number

- 1st generation valve manufactured prior to September 3rd, 2009. Can be identified by the check stop nut.
- 130156 Thermostatic cartridge will not work in 2nd generation valves.

**ExactTemp®  
3/4" Thermostatic Valve**

**MODEL  
S3371**





Buy it for looks. Buy it for life.®

# Illustrated Parts

■ Order by Part Number

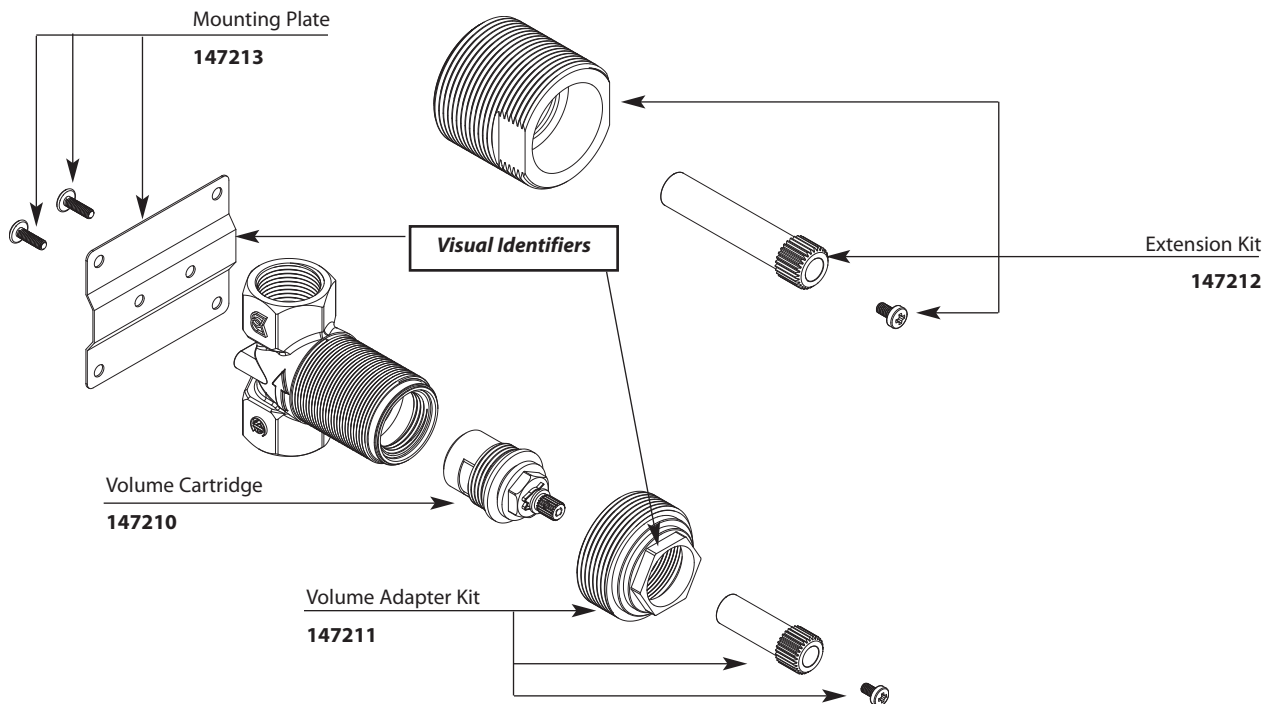
*There is more than 1 version of this model.  
Page down to identify the version you have.*

• 2nd generation valve manufactured on and after July 27th, 2009. Can be identified by mounting plate and smaller drive feature (1-1/8") on adapter nut.

• 147210 volume control cartridge will not work with 1st generation valves.

<b>ExactTemp®</b> <b>3/4" Volume Control Flow Valve</b>  <b>MODEL</b> <b>S3600</b>
--

### 2nd Generation Valve Parts





Buy it for looks. Buy it for life.®

# Illustrated Parts

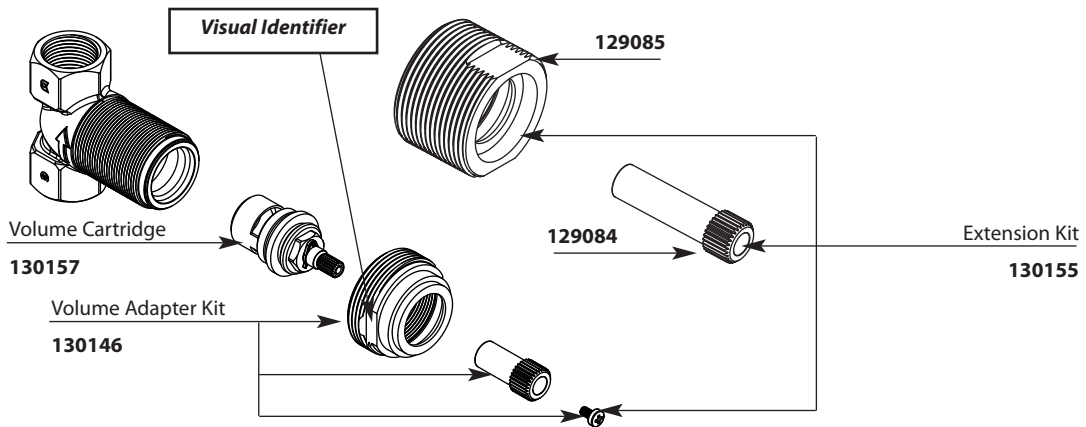
## ■ Order by Part Number

- 1st generation valves manufactured prior to July 27th, 2009. Valves can be identified by a lack of a mounting bracket and drive feature on adapter nut (requires open ended wrench).
- 130157 volume control cartridge will not work with 2nd generation valves.

**ExactTemp®  
3/4" Volume Control Flow Valve**

**MODEL**  
S3600

### 1st Generation Valve Parts





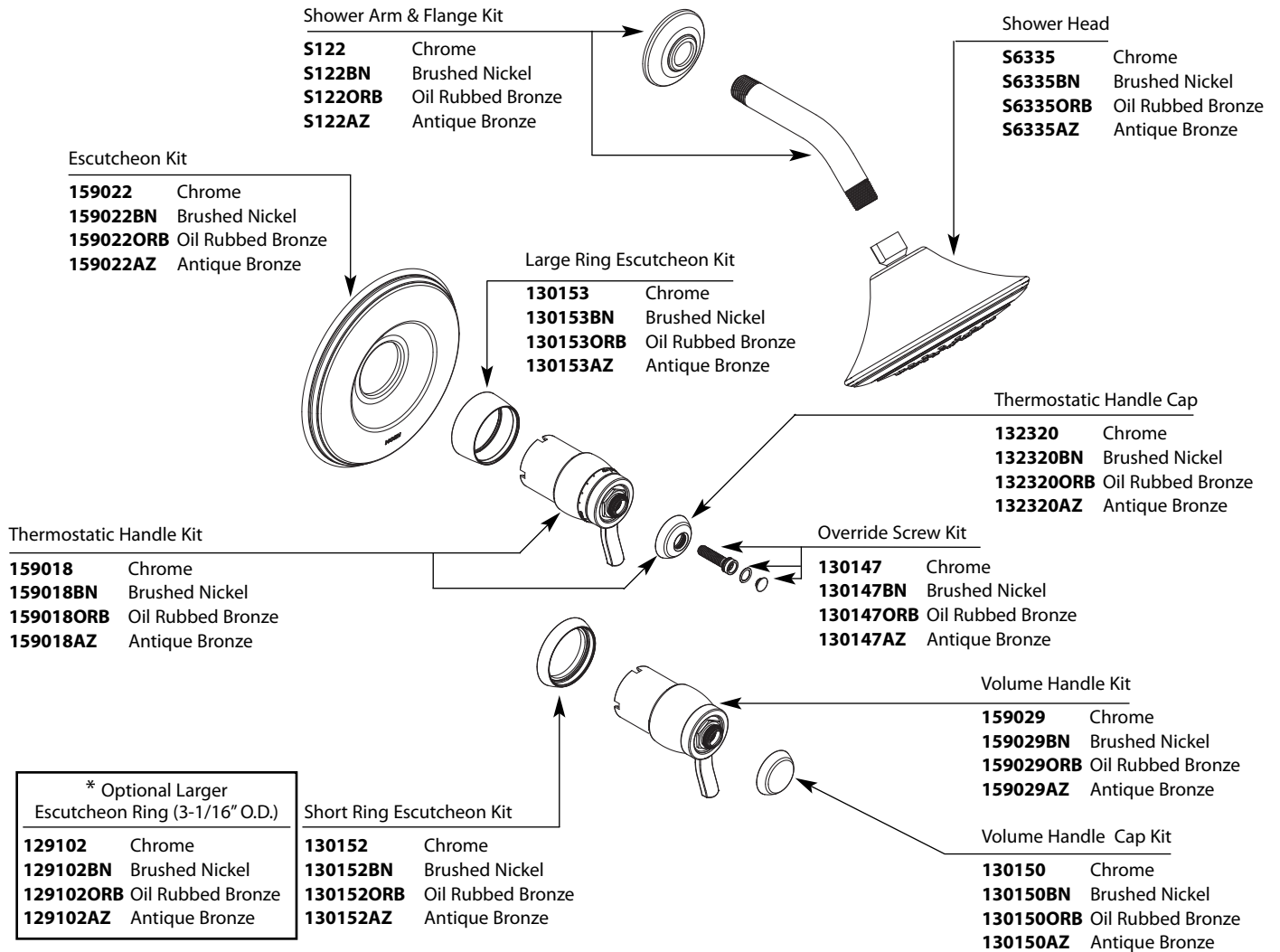
Buy it for looks. Buy it for life.®

# Illustrated Parts

■ Order by Part Number

■ Trim can be used with S3371 thermostatic valve and S3600 volume control valve.

Rothbury™ ExactTemp® 3/4" Thermostatic Shower Trim		
Valve Trim Only	Shower Trim Only	Finish
TS3760	TS8115	Chrome
TS3760BN	TS8115BN	Brushed Nickel
TS3760ORB	TS8115ORB	Oil Rubbed Bronze
TS3760AZ	TS8115AZ	Antique Bronze



Available Separately

