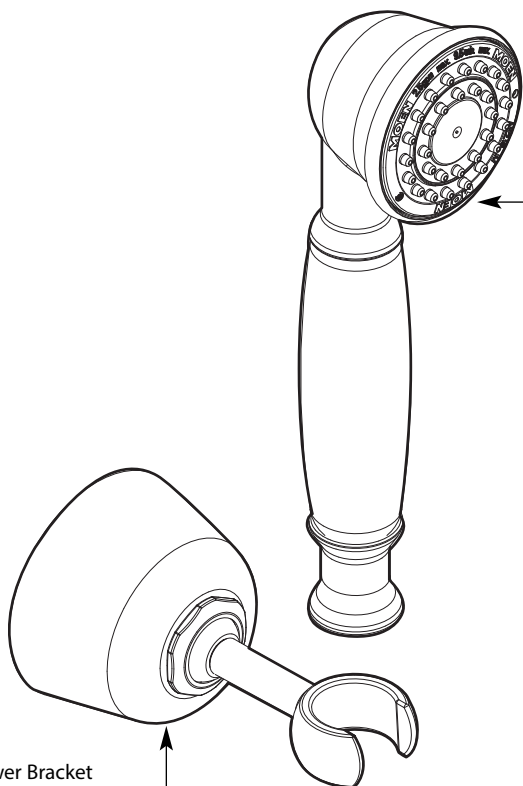




Buy it for looks. Buy it for life.®

Illustrated Parts

Handshower w/Wall Bracket & Hose		
MODEL	TYPE	FINISH
3861EP	Wand	Chrome
3861EPBN	Wand	Brushed Nickel
3861EPORB	Wand	Oil Rubbed Bronze
3861EPNL	Wand	Nickel
3861EPWR	Wand	Wrought Iron
DISCONTINUED		
3861	Wand	Chrome
3861BB	Wand	Brushed Bronze
3861PW	Wand	Pewter
3861BN	Wand	Brushed Nickel
3861WR	Wand	Wrought Iron
3861AN	Wand	Antique Nickel
3861ORB	Wand	Oil Rubbed Bronze
3861NL	Wand	Nickel
3861AZ	Wand	Antique Bronze
3861P	Wand	Polished Brass
3861CP	Wand	Chrome/Pol. Brass



HandShower (2.5 GPM)

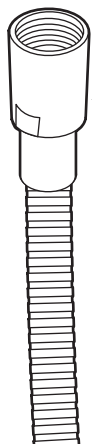
HandShower (2.0 GPM)

- 114341** Chrome
- 114341CP** Chrome/Pol. Brass
- 114341BN** Brushed Nickel
- 114341WR** Wrought Iron
- 114341AN** Antique Nickel
- 114341ORB** Oil Rubbed Bronze
- 114341NL** Nickel
- 114341PW** Pewter
- 114341BB** Brushed Bronze
- 114341AZ** Antique Bronze

- 176015** Chrome
- 176015BN** Brushed Nickel
- 176015NL** Nickel
- 176015WR** Wrought Iron

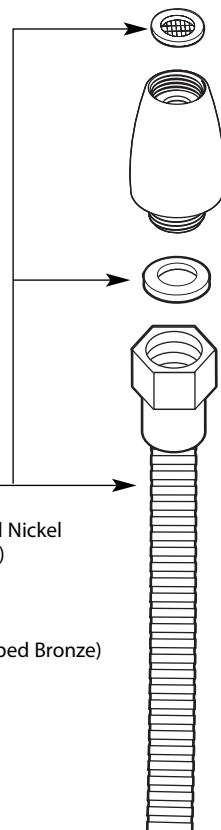
HandShower Bracket

- 114348** Chrome
(Used with Antique Nickel)
- 114348CP** Chrome/Pol. Brass
- 114348BN** Brushed Nickel
- 114348WR** Wrought Iron
- 114348ORB** Oil Rubbed Bronze
- 114348NL** Nickel
- 114348BB** Brushed Bronze
- 114348AZ** Antique Bronze



Hose

- A726** Chrome
- A726ST** Chrome
(Used with Brushed Nickel and Antique Nickel)
- A726NL** Nickel
- A726BB** Brushed Bronze
- A726AZ** Antique Bronze
- A726BR** (Used with Oil Rubbed Bronze)
- A726PW** Pewter
- A726WR** Wrought Iron



Vacuum Breaker (Include with models prior to 7/15/14)

- A714** Chrome
- A714ST** Chrome
(Used with Brushed Nickel and Antique Nickel)
- A714WR** Wrought Iron
- A714AZ** Antique Bronze
- A714ORB** Oil Rubbed Bronze
- A714PW** Pewter

MOEN, ESPRIMO, SIGNATURE, and Buy it for looks. Buy it for life. are registered trademarks of Moen Inc. © 2014 Moen Inc.



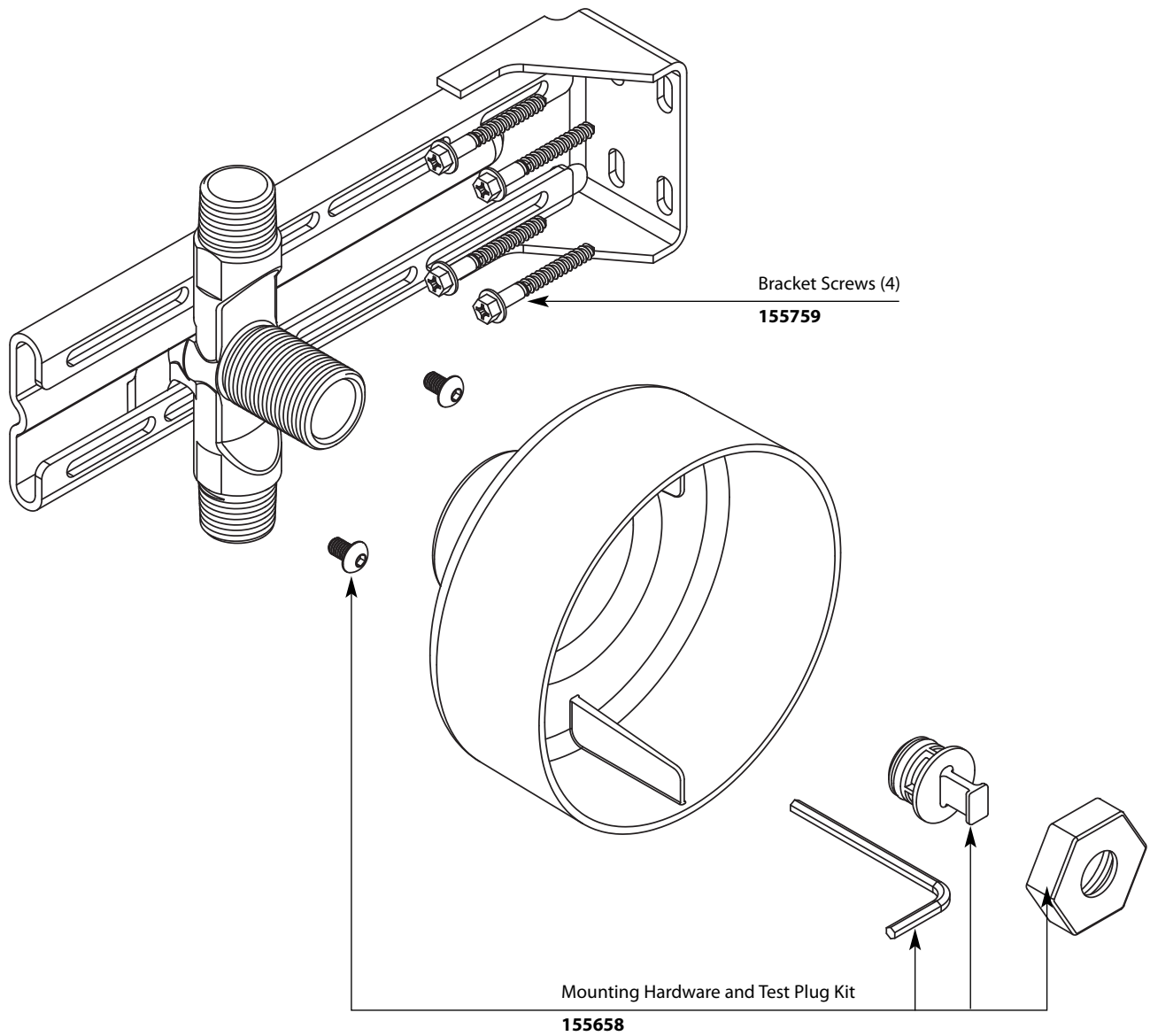
Buy it for looks. Buy it for life.®

Illustrated Parts

Body Spray Rough-In

MODEL
S1300

■ Order by Part Number





Buy it for looks. Buy it for life.®

Illustrated Parts

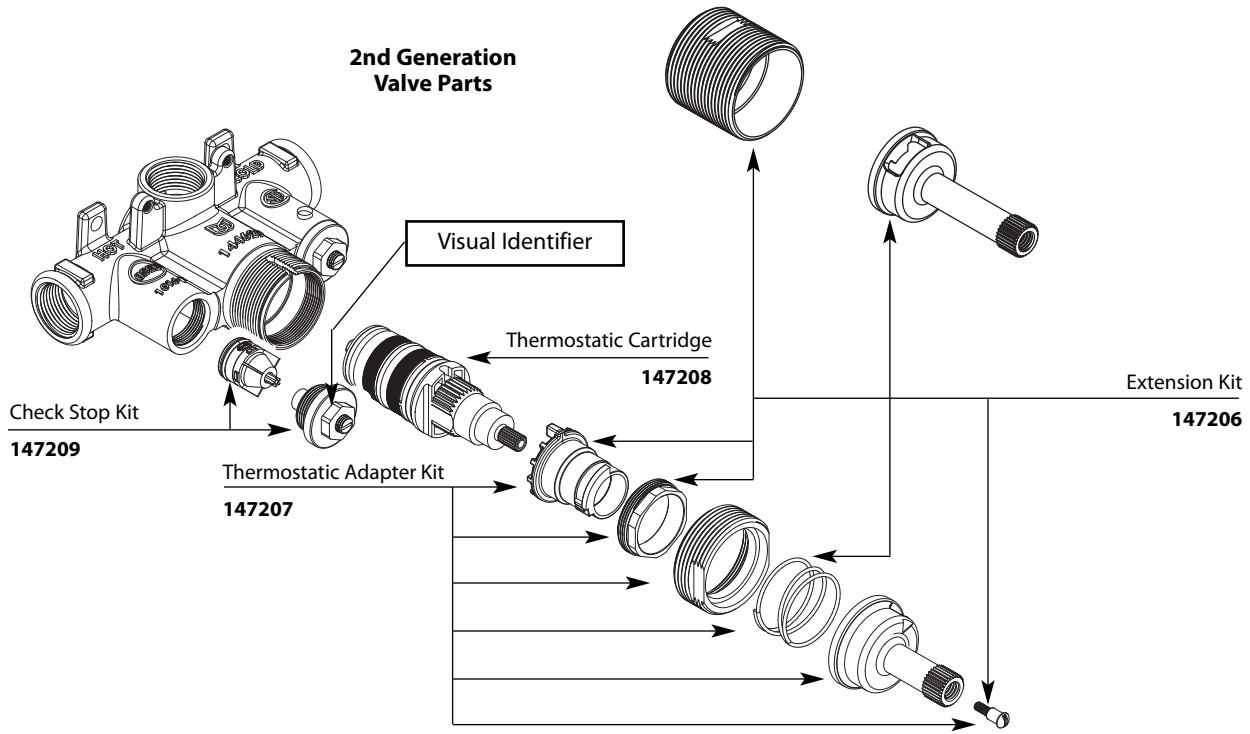
■ Order by Part Number

There is more than 1 version of this model.
Page down to identify the version you have.

- 2nd generation valve manufactured on and after September 3rd, 2009. Can be identified by the check stop nut (smaller drive feature).
- 147208 Thermostatic cartridge will not work in 1st generation valves.

**ExactTemp®
3/4" Thermostatic Valve**

MODEL
S3371





Buy it for looks. Buy it for life.®

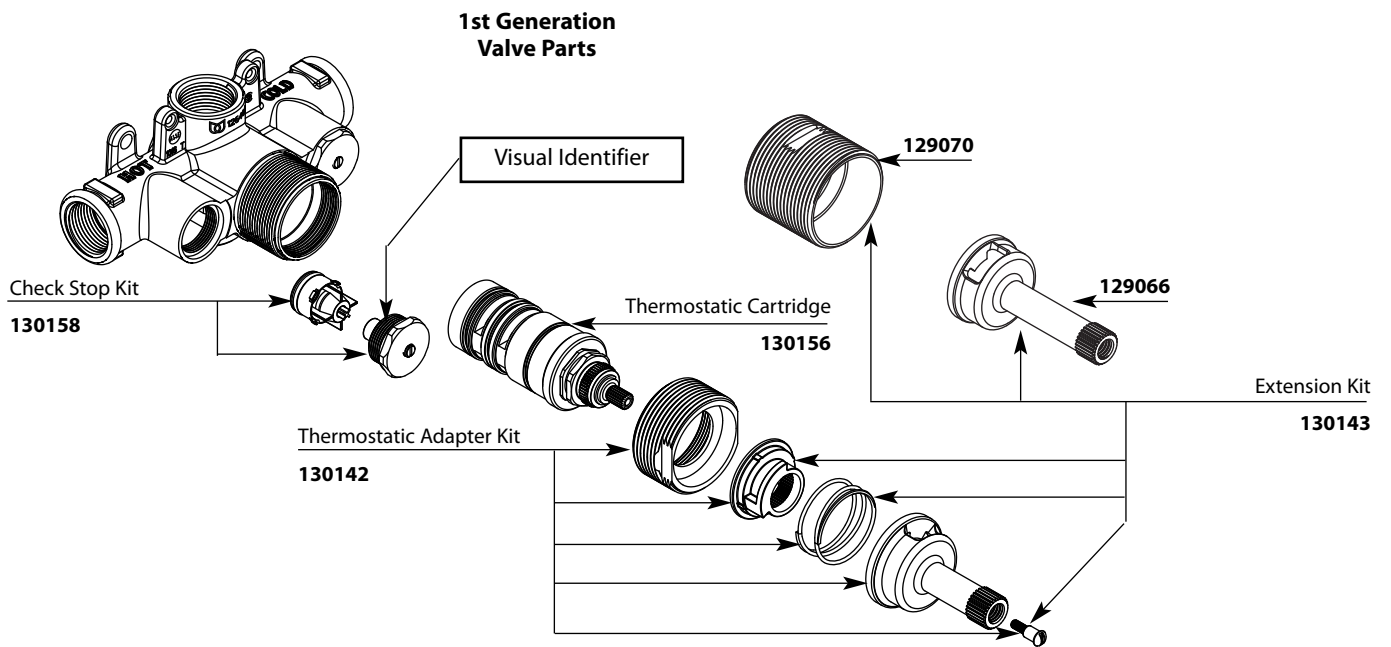
Illustrated Parts

■ Order by Part Number

- 1st generation valve manufactured prior to September 3rd, 2009. Can be identified by the check stop nut.
- 130156 Thermostatic cartridge will not work in 2nd generation valves.

**ExactTemp®
3/4" Thermostatic Valve**

**MODEL
S3371**





Buy it for looks. Buy it for life.®

Illustrated Parts

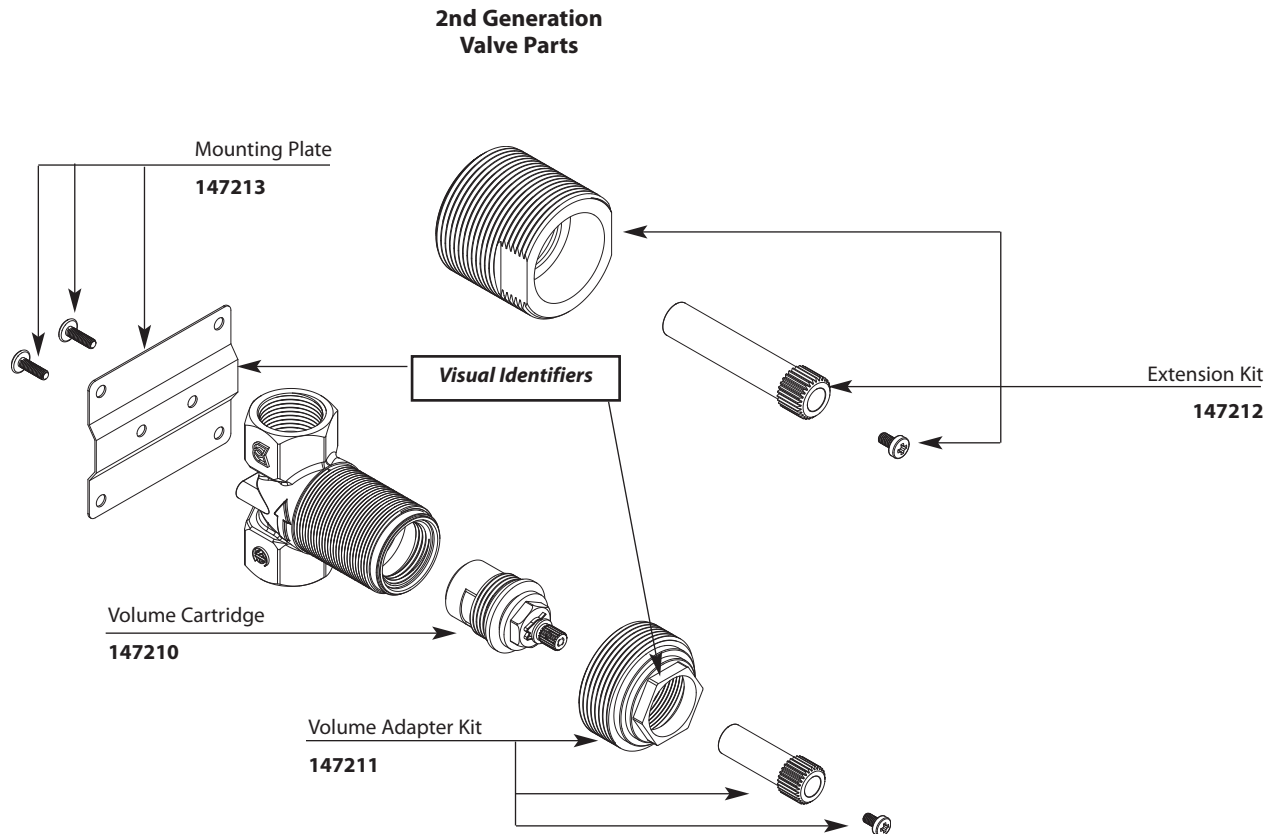
■ Order by Part Number

*There is more than 1 version of this model.
Page down to identify the version you have.*

• 2nd generation valve manufactured on and after July 27th, 2009. Can be identified by mounting plate and smaller drive feature (1-1/8") on adapter nut.

• 147210 volume control cartridge will not work with 1st generation valves.

ExactTemp® 3/4" Volume Control Flow Valve MODEL S3600
--





Buy it for looks. Buy it for life.®

Illustrated Parts

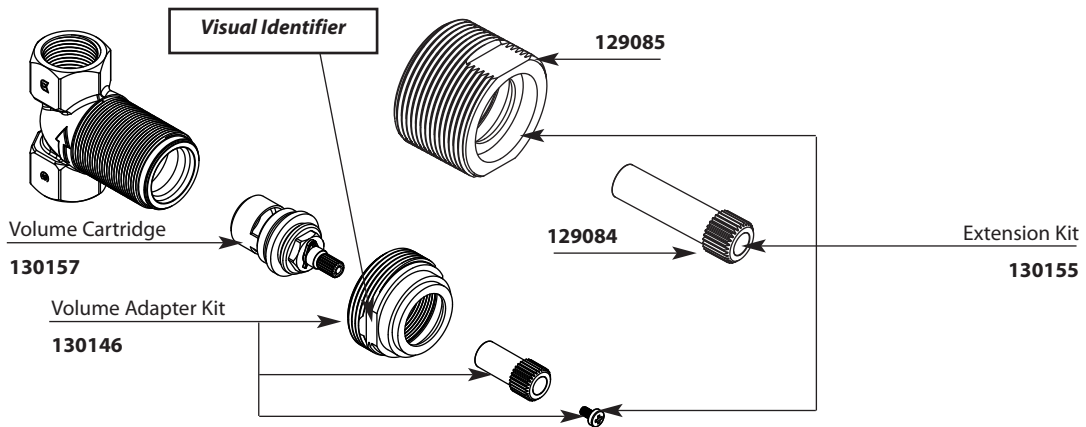
■ Order by Part Number

- 1st generation valves manufactured prior to July 27th, 2009. Valves can be identified by a lack of a mounting bracket and drive feature on adapter nut (requires open ended wrench).
- 130157 volume control cartridge will not work with 2nd generation valves.

**ExactTemp®
3/4" Volume Control Flow Valve**

MODEL
S3600

1st Generation Valve Parts



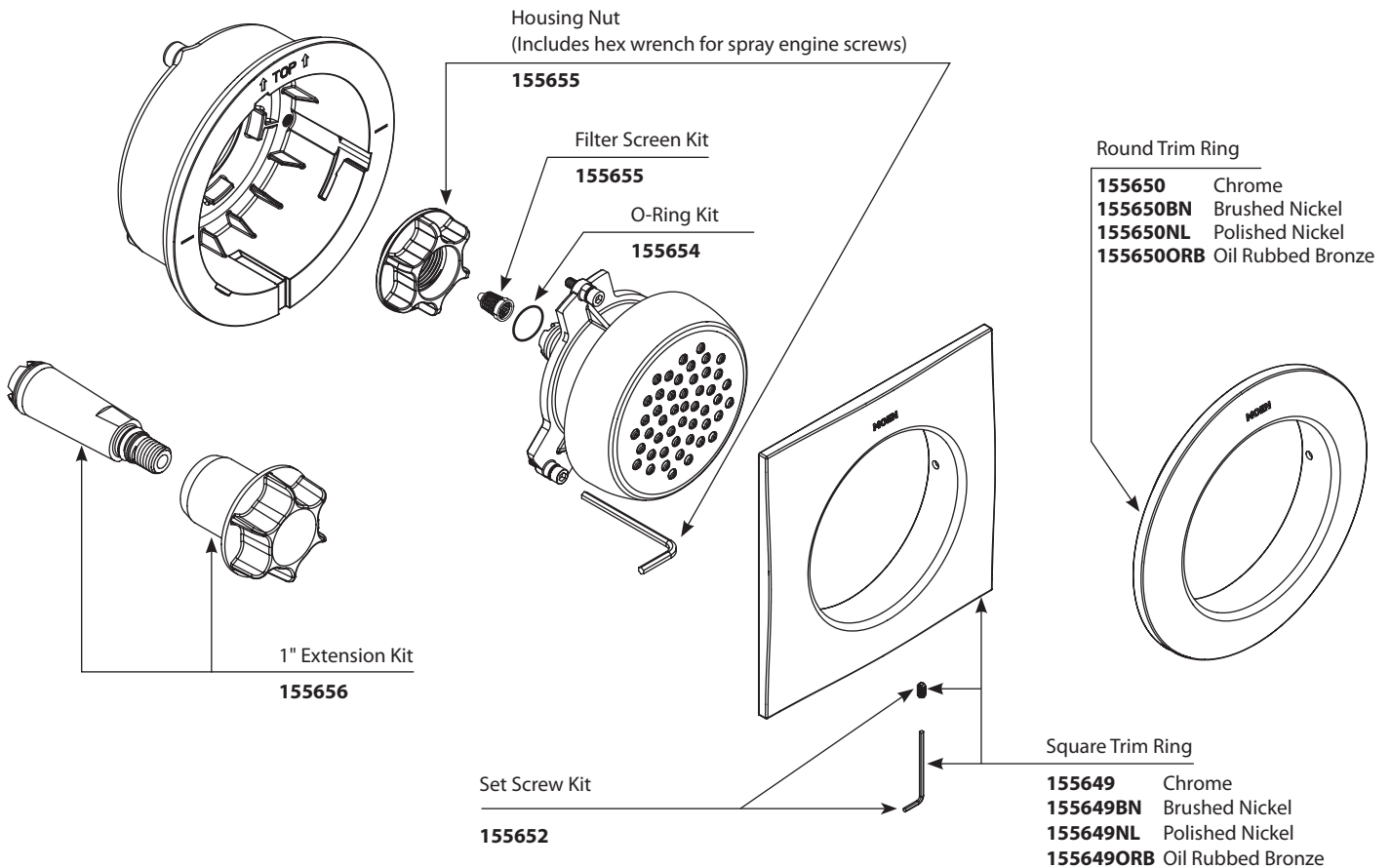


Buy it for looks. Buy it for life.®

■ Order by Part Number ■ Trim must be used with S1300 Rough-in

Illustrated Parts

Single Function Body Spray Trim		
<u>MODEL</u>	<u>SHAPE</u>	<u>FINISH</u>
TS1320	Square	Chrome
TS1320BN	Square	Brushed Nickel
TS1320NL	Square	Polished Nickel
TS1320ORB	Square	Oil Rubbed Bronze
TS1322	Round	Chrome
TS1322BN	Round	Brushed Nickel
TS1322NL	Round	Polished Nickel
TS1320ORB	Round	Oil Rubbed Bronze



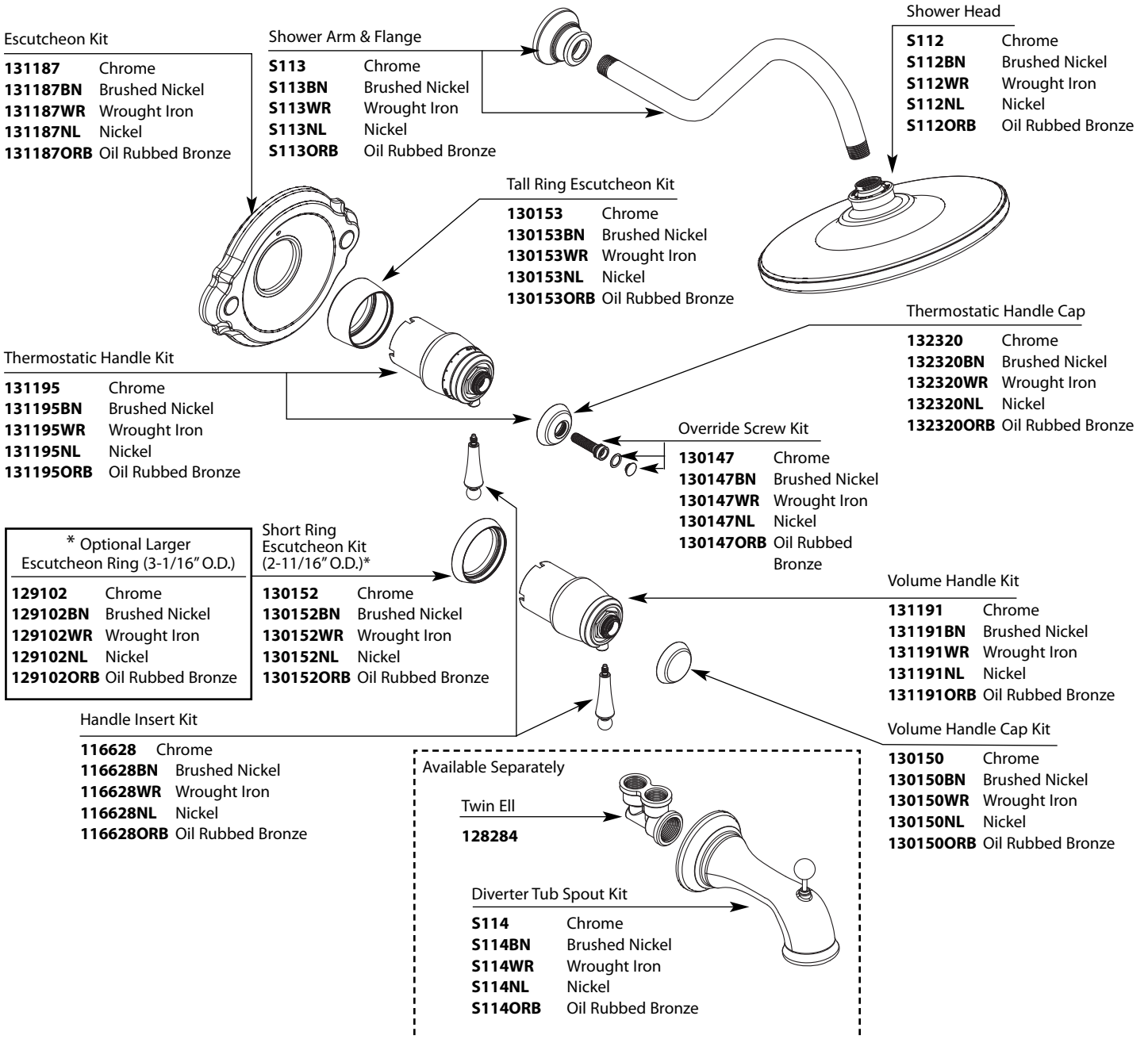


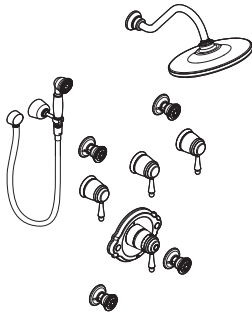
Buy it for looks. Buy it for life.®

Illustrated Parts

- Order by Part Number
- Trim can be used with S3371 3/4" Thermostatic & S3600 Volume Control valves

WATERHILL™		
ExacTemp® 3/4" Thermostatic Tub/Shower Trim		
VALVE TRIM ONLY	SHOWER TRIM ONLY	FINISH
TS3110	TS3112	Chrome
TS3110BN	TS3112BN	Brushed Nickel
TS3110WR	TS3112WR	Wrought Iron
TS3110NL	TS3112NL	Nickel
TS3110ORB	TS3112ORB	Oil Rubbed Bronze





Waterhill™
ExactTemp® 3/4" Thermostatic Vertical Spa Trim

Models: TS516 Chrome
 TS516BN Brushed Nickel
 TS516ORB Oil Rubbed Bronze
 TS516NL Nickel
 TS516WR Wrought Iron

Order by Part Number for use with S936 3/4" Thermostatic & S956 Volume Control valves

