



Buy it for looks. Buy it for life.®

Specifications

DESCRIPTION

- Brass construction
- 1/2" CC or IPS connections with 1/4 turn stops
- Pressure balancing, four port, cycle valve

OPERATION

- Adjustable temperature limit stop to control maximum hot water temperature
- Pressure balancing mechanism maintain selected discharge temperature to $\pm 3^{\circ}\text{F}$

CARTRIDGE

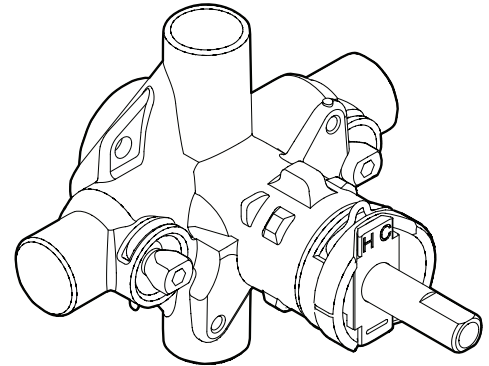
- 1222 cartridge design
- Nonmetallic/nonferrous and stainless steel materials
- Accommodates back to back installations

STANDARDS

- Third party certified to meet CSA B-125, ASME A112.18.1M ASSE 1016, and all applicable requirements referenced therein

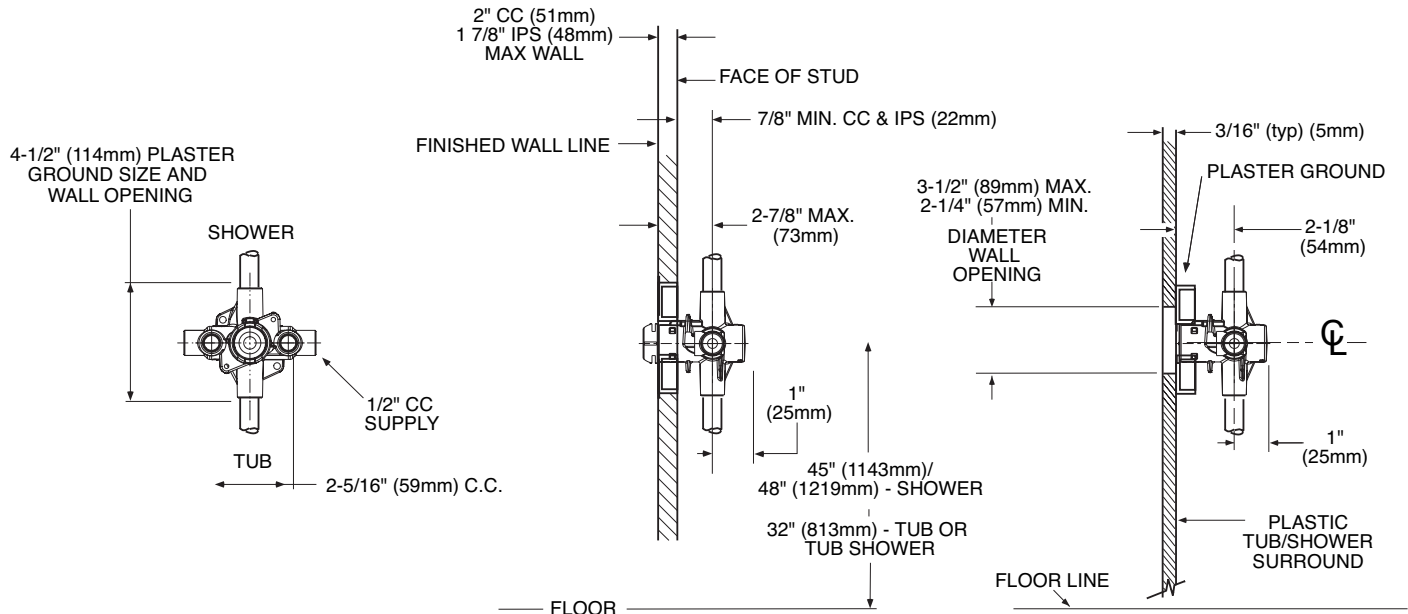
WARRANTY

- Lifetime limited warranty against leaks, drips and finish defects to the original consumer purchaser
- 5 year warranty if used in commercial installations



POSI-TEMP® VALVE Pressure-Balancing Valve with 1/4 Turn Stops

Model: 2570 (CC), 2590 (IPS)-Single Pack
62370 (CC), 62390 (IPS)-Bulk Pack
(Bulk packed 12 per carton)



CRITICAL DIMENSIONS

(DO NOT SCALE)



Buy it for looks. Buy it for life.®

Specifications

DESCRIPTION

- Various finishes identified by suffix
- Handshower
- 69" double interlock spiral hose (metal)
- Double check valve in handle
- Adjustable wall bracket

OPERATION

- Single function
- Wall bracket rotates to adjust angle of handshower

FLOW

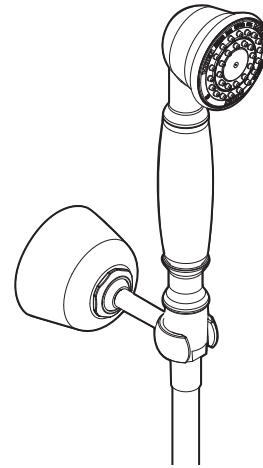
- Designed to deliver 2.5 gpm (9.5 L/min) at 80 psi
- EP suffix models are limited to 2.0 gpm (7.6 L/min) at 80 psi

STANDARDS

- Designed and manufactured to comply with the applicable requirements of ASME A112.18.1/CSA B-125.1, ASSE 1014 and all applicable specifications referenced therein

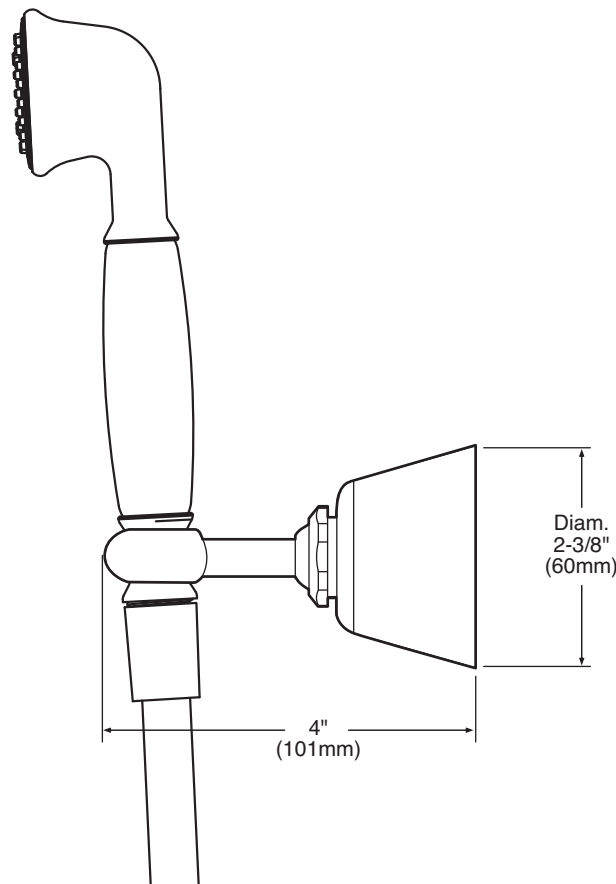
WARRANTY

- limited lifetime warranty against material or manufacturing defects



**Handshower
with Bracket & Hose**

Models: 3861 series



CRITICAL DIMENSIONS

(DO NOT SCALE)



Buy it for looks. Buy it for life.®

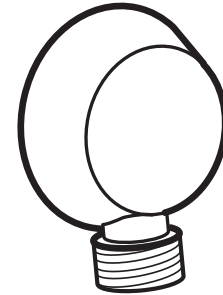
Specifications

DESCRIPTION

- Metal construction with various finishes identified by suffix

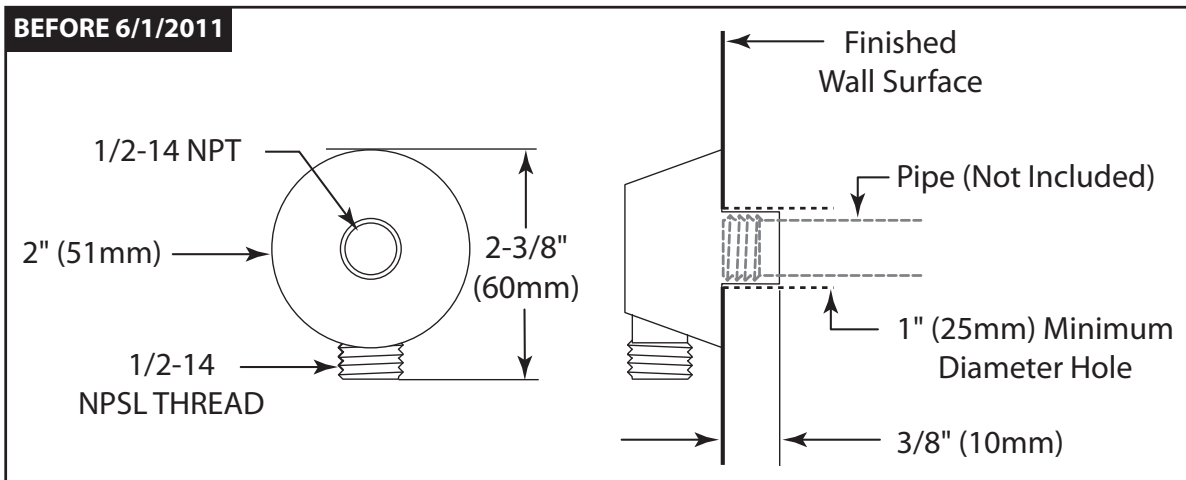
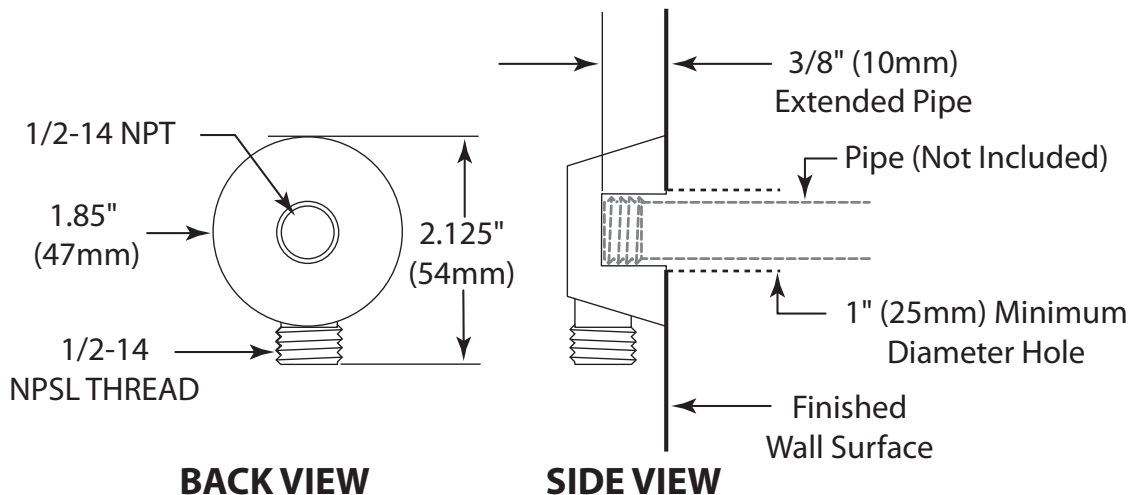
WARRANTY

- Warranted for one year against material or manufacturing defects



DROP ELL

Models: A725 series



CRITICAL DIMENSIONS

(DO NOT SCALE)



Buy it for looks. Buy it for life.®

Specifications

DESCRIPTION

- Metal construction with various finishes identified by suffix
- Includes 10" rainfall showerhead, arm, flange and diverter tub spout

OPERATION

- Lever style handle with temperature indicator on the escutcheon
- Handle operates with counterclockwise rotation through a 270° arc with off at 6 o'clock and maximum hot at the 9 o'clock position. Shut off in clockwise direction.
- Adjustable temperature limit stop to control maximum hot water temperature
- Pressure balancing mechanism maintains selected discharge temperature to $\pm 3.6^{\circ}\text{F}$ ($\pm 2^{\circ}\text{C}$)

FLOW

- Showerhead is limited to 2.5 gpm max. (9.5 L/min)

CARTRIDGE

- 1225 cartridge design
- Nonmetallic/nonferrous and stainless steel materials
- Accommodates back to back installations

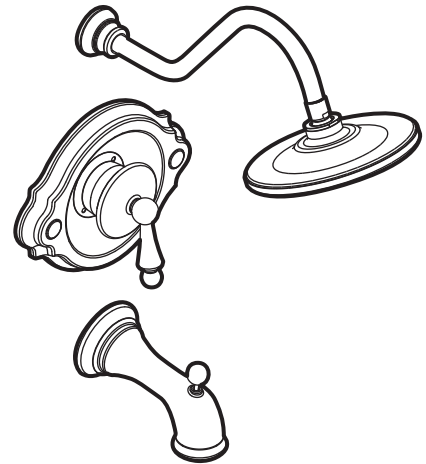
STANDARDS

- Third party certified to CSA B125.1, ASME A112.18.1, ANSI A117.1, ASSE 1016, and all applicable requirements referenced therein

- ADA  for lever handle

WARRANTY • Lifetime limited warranty against leaks, drips and finish defects to the original consumer purchaser

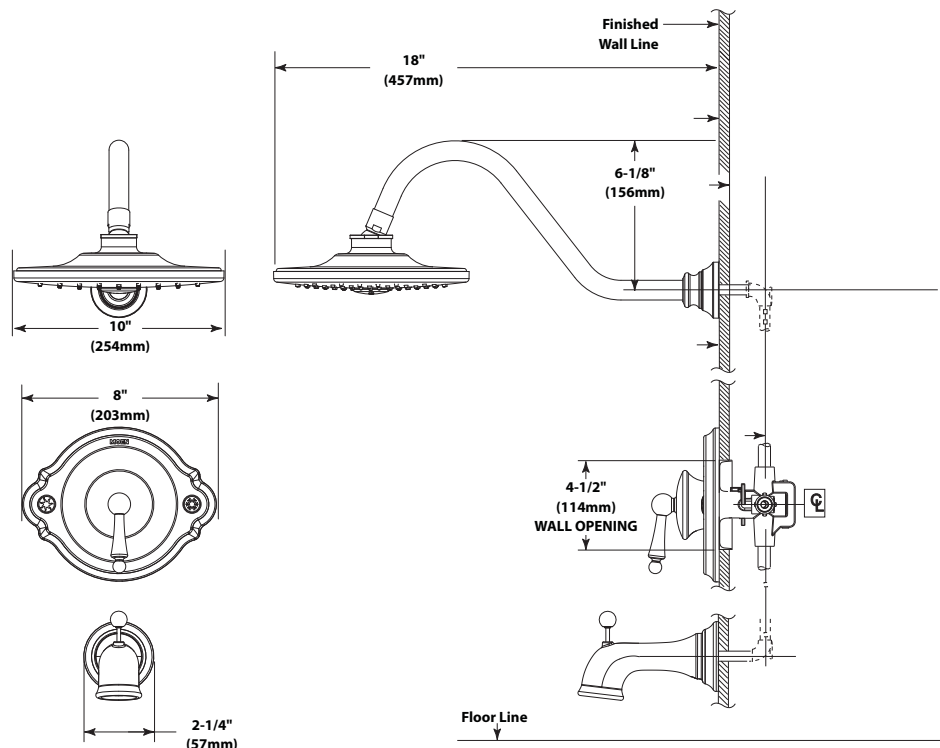
- 5 year warranty if used in commercial installations



WATERHILL™ POSI-TEMP® Single-Handle Tub/Shower (Trim Only)

Models: TS310 series-valve trim only
TS312 series-shower trim only
TS314 series-tub/shower trim

Valves: 2500 series
62300 series



CRITICAL DIMENSIONS

(DO NOT SCALE)

FOR MORE INFORMATION CALL: 1-800-BUY-MOEN

www.moen.com



Buy it for looks. Buy it for life.®


DESCRIPTION

- Metal construction with various finishes identified by suffix

OPERATION

- Rotational control with 180° of rotation with stops

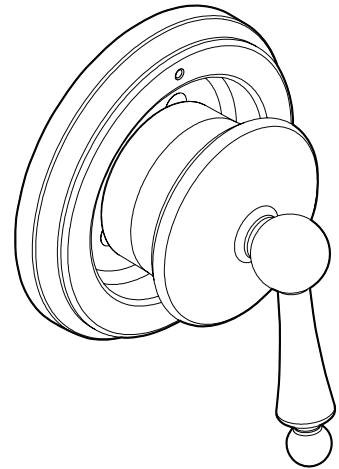
STANDARDS

- Third party certified to ASME A112.18.1/CSA B125.1 and all applicable requirements referenced therein
- **ADA**  for lever handle

WARRANTY

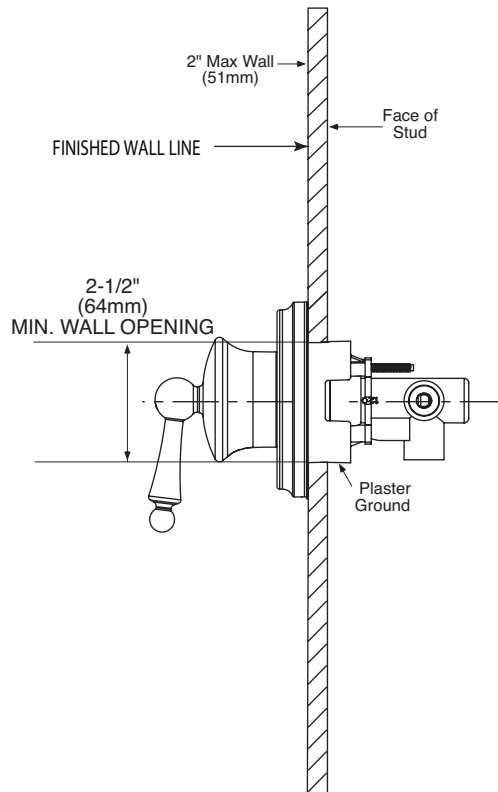
- Lifetime limited warranty against leaks, drips and finish defects to the original consumer purchaser
- 5 year warranty if used in commercial installations

Specifications

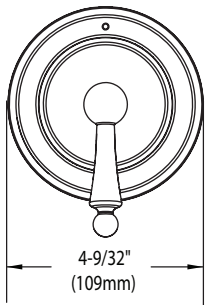
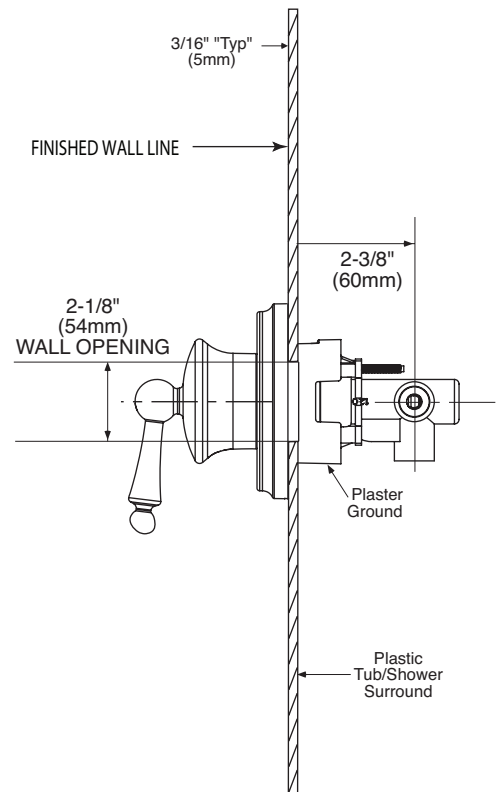


**Waterhill™ Multi-Function
Transfer Valve Trim Kit**
Models: TS325 series
Valve: 3372 or 3375

Thick Wall Installation



Thin Wall Installation



CRITICAL DIMENSIONS

(DO NOT SCALE)