



Buy it for looks. Buy it for life.®

# Specifications

## DESCRIPTION

- Pressure balancing valve design with integral check stops, 1/2" CC connections, built in 3-function transfer valve

## OPERATION

- Pull-on/push-off operation of temperature & volume
- Rotational control of transfer valve
- Temperature operates through an 180° arc of handle travel (full cold to full hot)
- Adjustable temperature limit stop to control maximum hot water temperature
- 180° rotation of transfer valve handle with stops
- Pressure balancing mechanism maintains selected discharge temperature to ± 2°

## CARTRIDGE

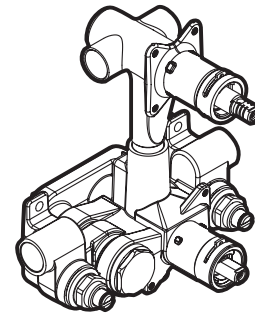
- 1225 cartridge design - Moentrol® valve
- 116719 cartridge design for transfer valve

## STANDARDS

- Third party certified by CSA to meet CSA B-125, ASME A112.18.1M

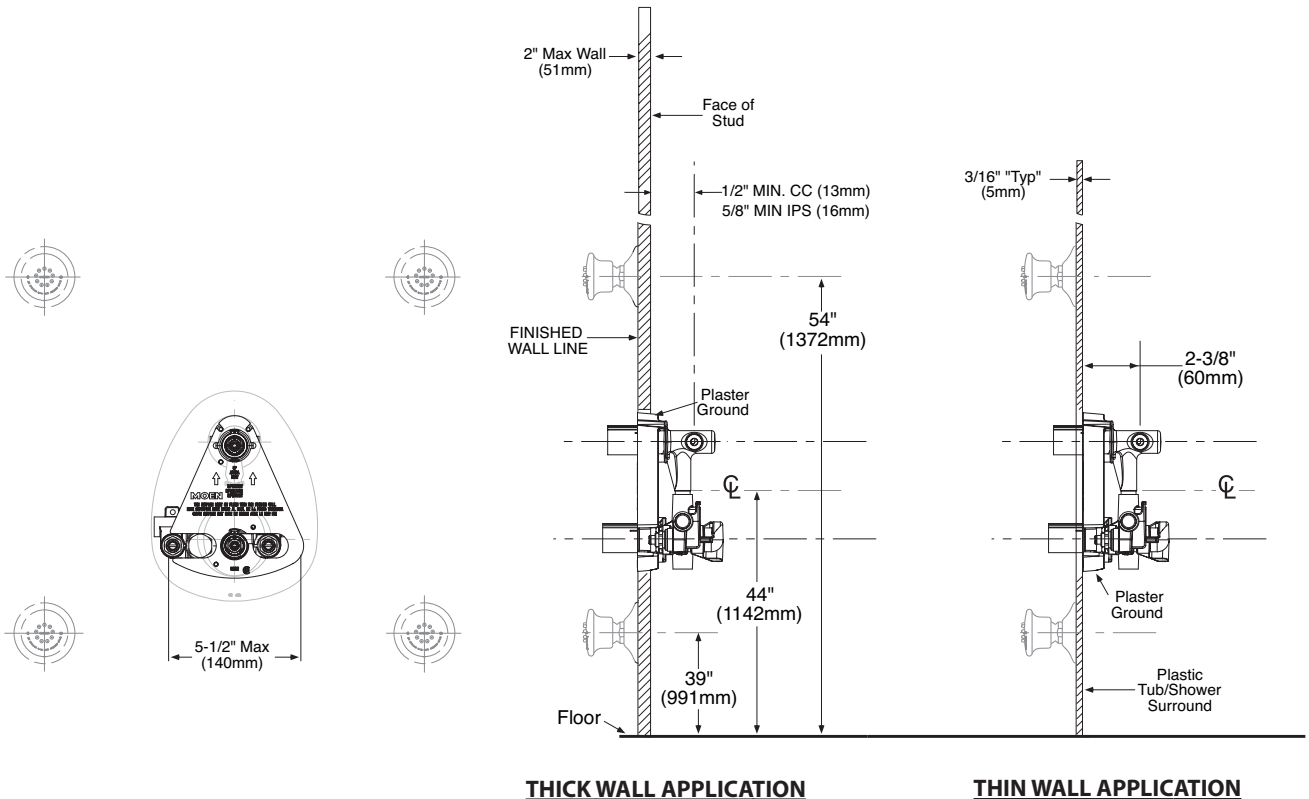
## WARRANTY

- Lifetime limited warranty against leaks, drips and finish defects to the original consumer purchaser
- 5 year warranty if used in commercial installations



**MOENTROL®**  
**3-Function Built In Transfer Valve**

**Models: 3320, 3330**



## CRITICAL DIMENSIONS

(DO NOT SCALE)

FOR MORE INFORMATION CALL: 1-800-BUY-MOEN

[www.moen.com](http://www.moen.com)



Buy it for looks. Buy it for life.®

# Specifications

## DESCRIPTION

- Various finishes identified by suffix
- Handheld shower
- 69" double interlock spiral hose (metal)
- Double check valves in handshower
- 30" slide bar with push button height selection

## OPERATION

- 4-function: massage, vigorous, full and combination: rotate outer ring to select
- Handshower holder rotates to adjust angle of hand shower

## FLOW

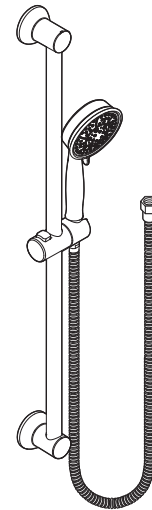
- EP suffix models are limited to 2.0 gpm (7.6 L/min) at 80 psi

## STANDARDS

- Designed and manufactured to comply with the applicable requirements of ASME A112.18.1/CSA B-125.1 and ASSE 1014 and all applicable specifications referenced therein
- EP suffix models are third party certified to WaterSense®

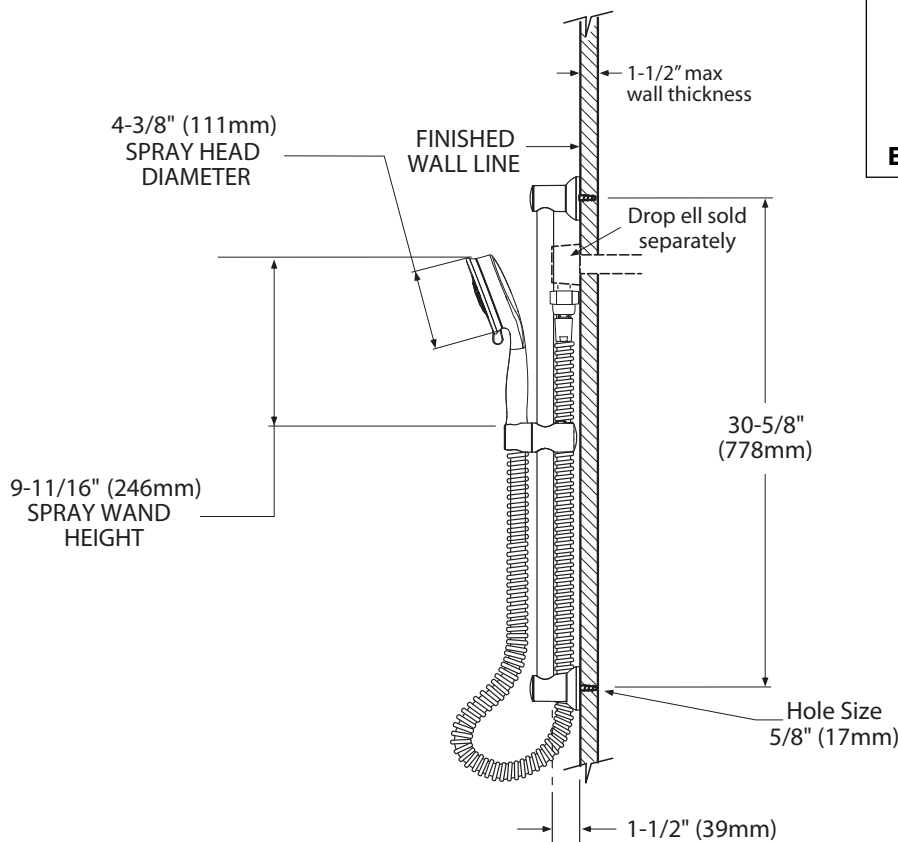
## WARRANTY

- Lifetime limited warranty against material or manufacturing defects



## 4-Function Massaging Handshower w/Slide Bar

Models: 3667EP series



## CRITICAL DIMENSIONS

(DO NOT SCALE)

FOR MORE INFORMATION CALL: 1-800-BUY-MOEN

www.moen.com



Buy it for looks. Buy it for life.®

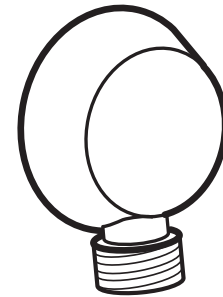
# Specifications

## DESCRIPTION

- Metal construction with various finishes identified by suffix

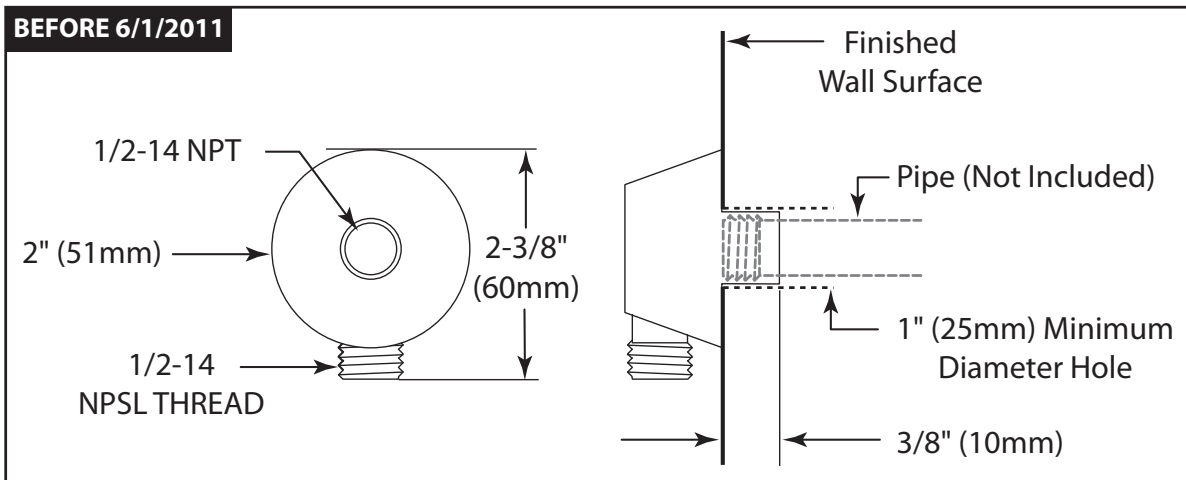
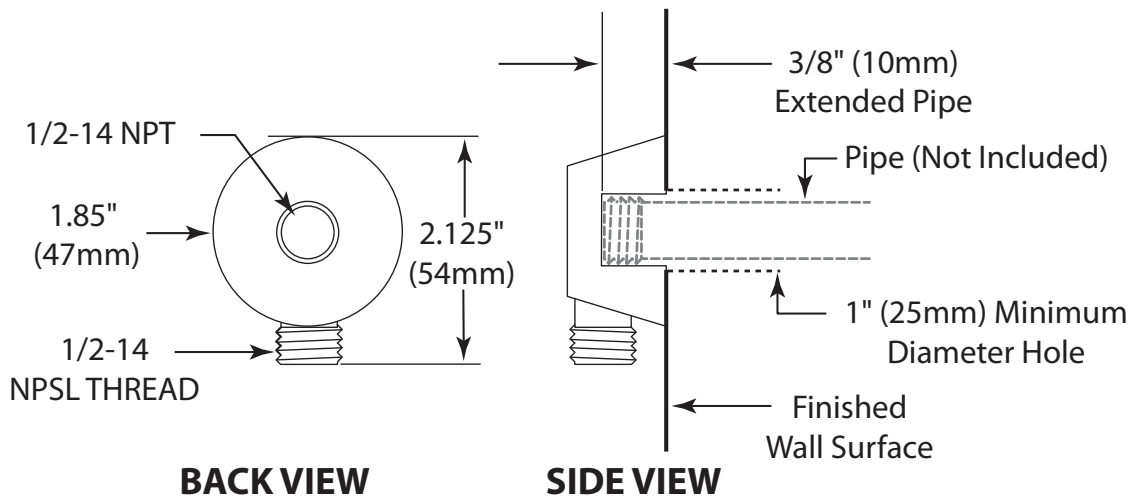
## WARRANTY

- Warranted for one year against material or manufacturing defects



**DROP ELL**

**Models:** A725 series



## CRITICAL DIMENSIONS

(DO NOT SCALE)



Buy it for looks. Buy it for life.®

# Specifications

## FAUCET DESCRIPTION

- Metal construction with various finishes identified by suffix

## OPERATION

- Single spray

## FLOW

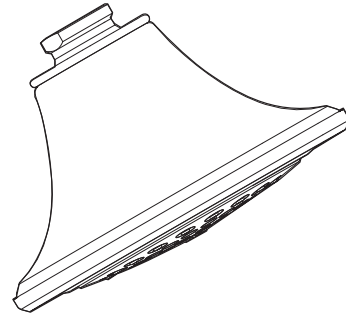
- Showerhead limited to 2.5 gpm (9.5 L/min) MAX at 80 psi
- EP suffix models are limited to 1.75 gpm (6.6 L/min) MAX at 80 psi

## STANDARDS

- Third party certified to meet ASME A112.18.1/ CSA B125.1 and all applicable requirements referenced therein
- EP suffix models are IAPMO Green listed and third party certified to WaterSense®

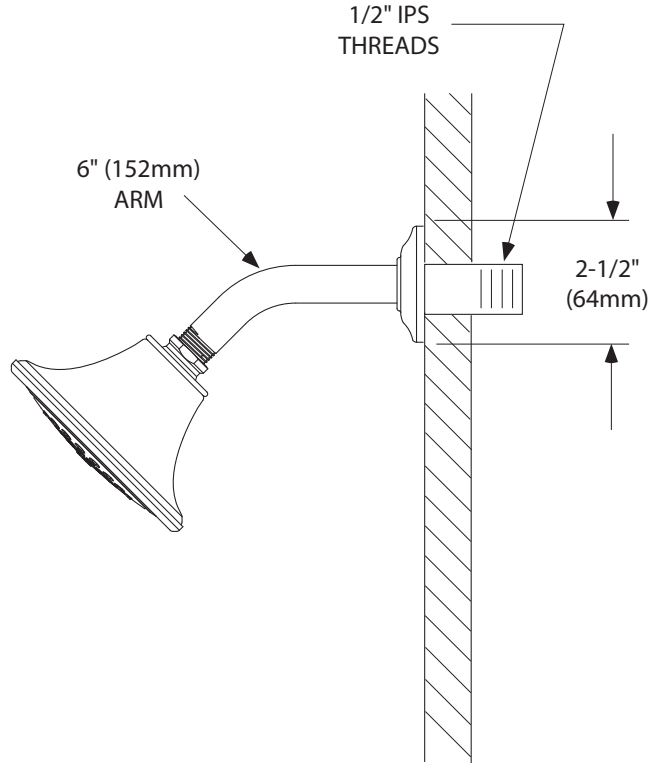
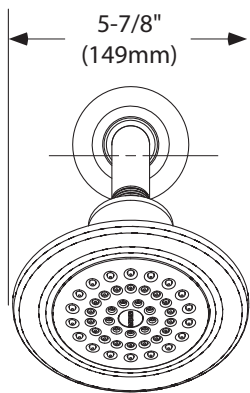
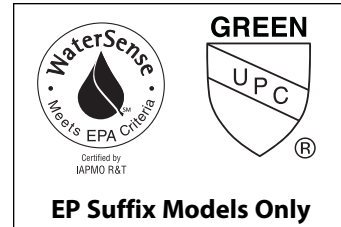
## WARRANTY

- Lifetime limited warranty against leaks, drips and finish defects to the original consumer purchaser
- 5 year warranty if used in commercial installations



**ICON™**  
**Single Function Showerhead**

**Models:** S6312 series



## CRITICAL DIMENSIONS

(DO NOT SCALE)



Buy it for looks. Buy it for life.®

# Specifications


## DESCRIPTION

- Metal construction with various finishes identified by suffix

## OPERATION

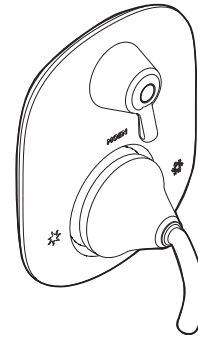
- Pull-on/push-off operation of temperature and volume, rotational control of transfer valve
- Temperature operates through an 180° arc of handle travel (full cold to full hot)
- Adjustable temperature limit stop to control maximum hot water temperature
- 180° rotation of transfer valve handle with stops
- Pressure balancing mechanism maintains selected discharge temperature to  $\pm 3.6^{\circ}\text{F}$  ( $\pm 2^{\circ}\text{C}$ )

## STANDARDS

- Third party certified by CSA to meet CSA B-125.1, ASME A112.18.1
- **ADA**  for lever handles

## WARRANTY

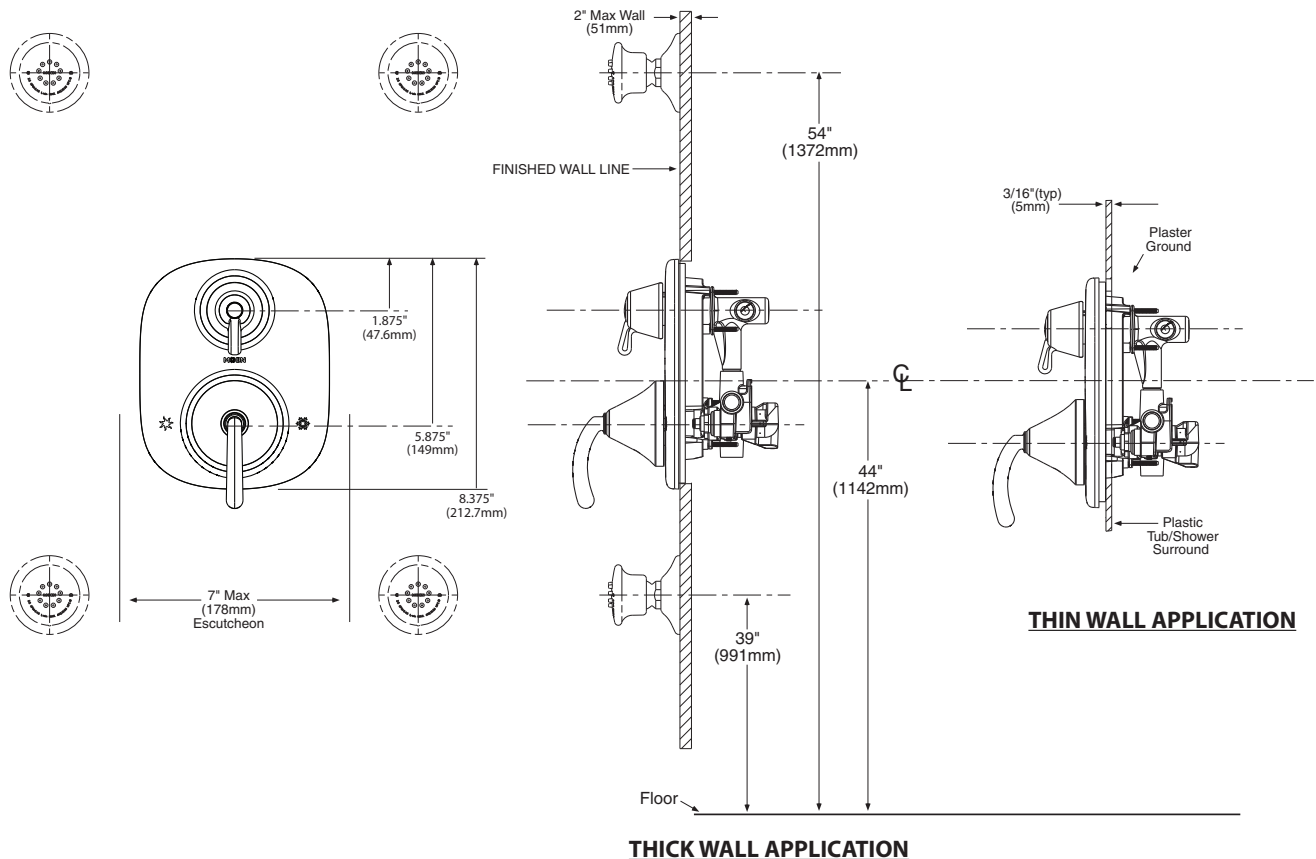
- Lifetime limited warranty against leaks, drips and finish defects to the original consumer purchaser
- 5 year warranty if used in commercial installations



**ICON™ MOENTROL®**  
with Built-In 3 Function Transfer Valve Trim

**Models:** TS4112 series

**Valves:** 3330 series  
3320 series



## CRITICAL DIMENSIONS

(DO NOT SCALE)