



Buy it for looks. Buy it for life.®

Specifications

DESCRIPTION

- Various finishes identified by suffix
- Handheld shower
- 69" double interlock spiral hose (metal)
- Double check valves in handshower
- 30" slide bar with push button height selection

OPERATION

- 4-function: massage, vigorous, full and combination: rotate outer ring to select
- Handshower holder rotates to adjust angle of hand shower

FLOW

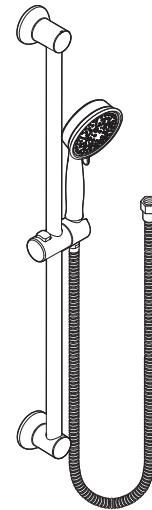
- EP suffix models are limited to 2.0 gpm (7.6 L/min) at 80 psi

STANDARDS

- Designed and manufactured to comply with the applicable requirements of ASME A112.18.1/CSA B-125.1 and ASSE 1014 and all applicable specifications referenced therein
- EP suffix models are third party certified to WaterSense®

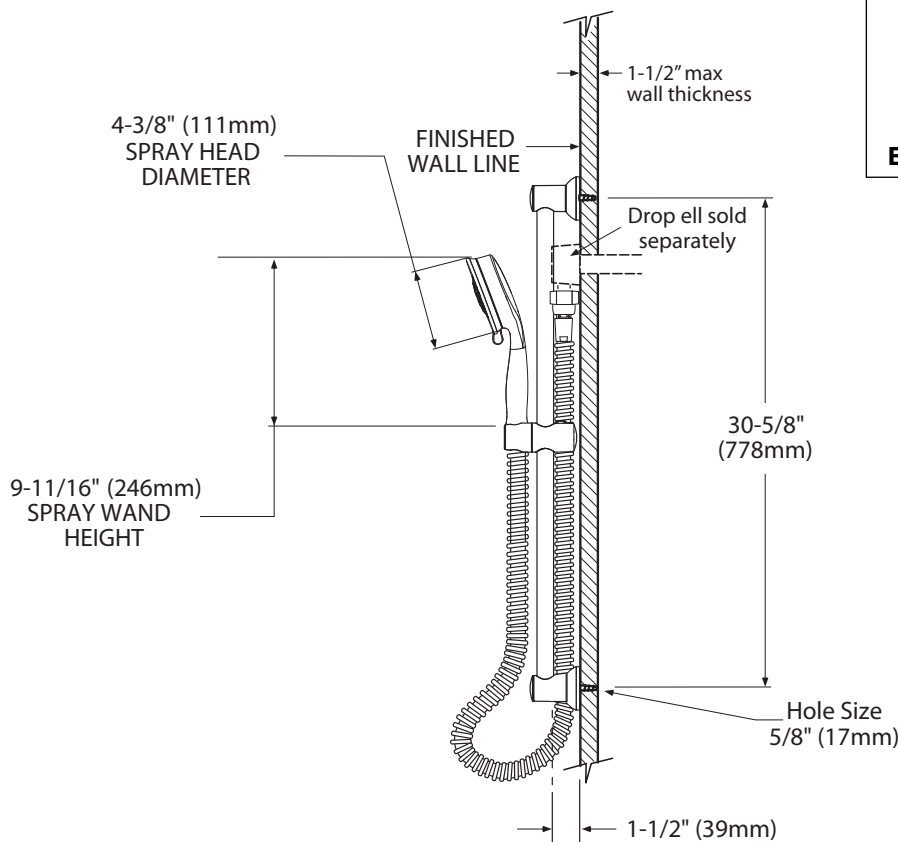
WARRANTY

- Lifetime limited warranty against material or manufacturing defects



4-Function Massaging Handshower w/Slide Bar

Models: 3667EP series



CRITICAL DIMENSIONS

(DO NOT SCALE)

FOR MORE INFORMATION CALL: 1-800-BUY-MOEN

www.moen.com



Buy it for looks. Buy it for life.®

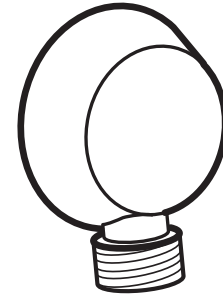
Specifications

DESCRIPTION

- Metal construction with various finishes identified by suffix

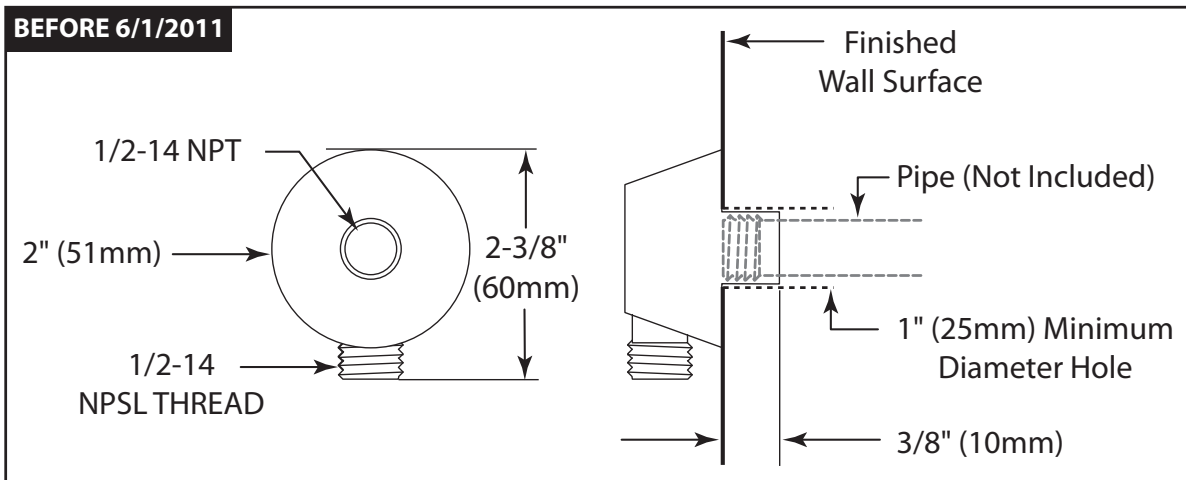
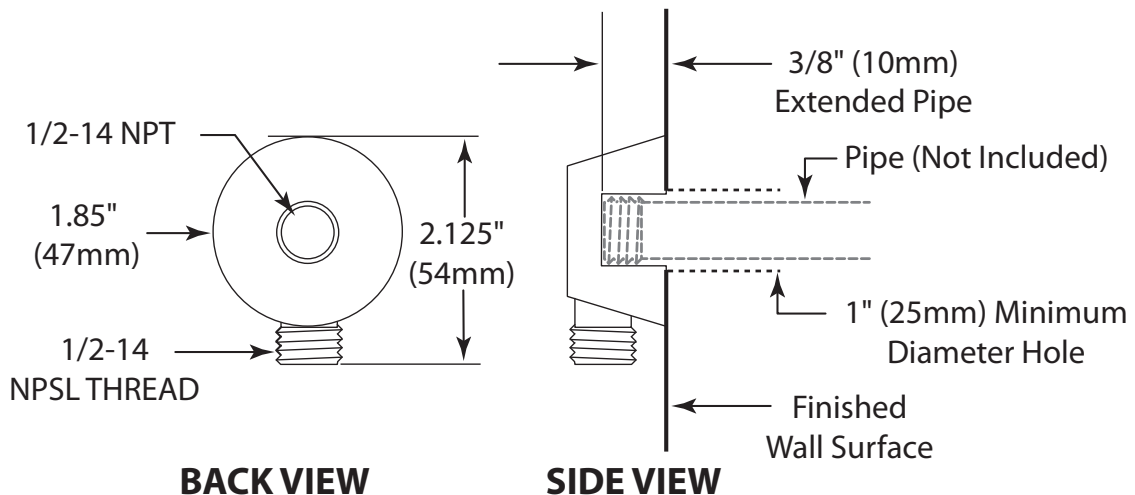
WARRANTY

- Warranted for one year against material or manufacturing defects



DROP ELL

Models: A725 series



CRITICAL DIMENSIONS

(DO NOT SCALE)



Buy it for looks. Buy it for life.®

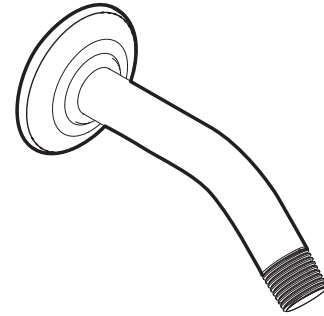
Specifications

DESCRIPTION

- Metal construction with various finishes identified by suffix

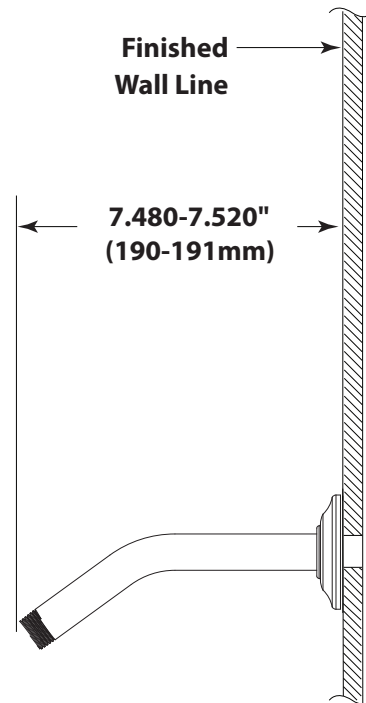
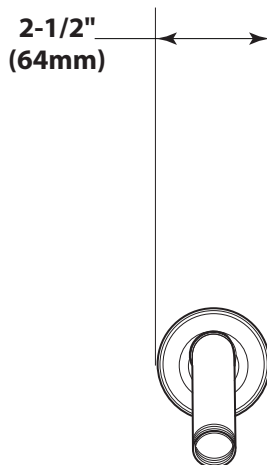
WARRANTY

- Lifetime limited warranty against finish defects to the original consumer purchaser
- 5 year warranty if used in commercial installations



Shower Arm and Flange

Models: S122 series



CRITICAL DIMENSIONS

(DO NOT SCALE)

FOR MORE INFORMATION CALL: 1-800-BUY-MOEN

www.moen.com



Buy it for looks. Buy it for life.®

Specifications

DESCRIPTION

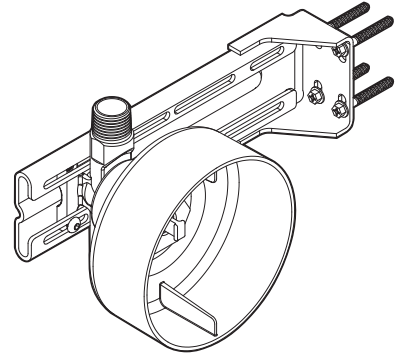
- Metal construction
- 1/2" CC and IPS connections
- Includes mounting bracket and test plug

STANDARDS

- Third party certified to ASME A112.18.1/ CSA B125.1, and all applicable requirements referenced therein

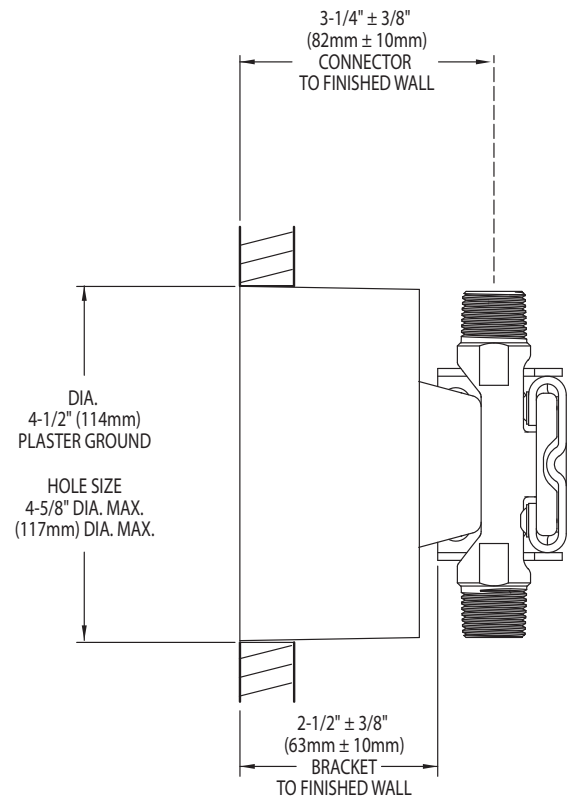
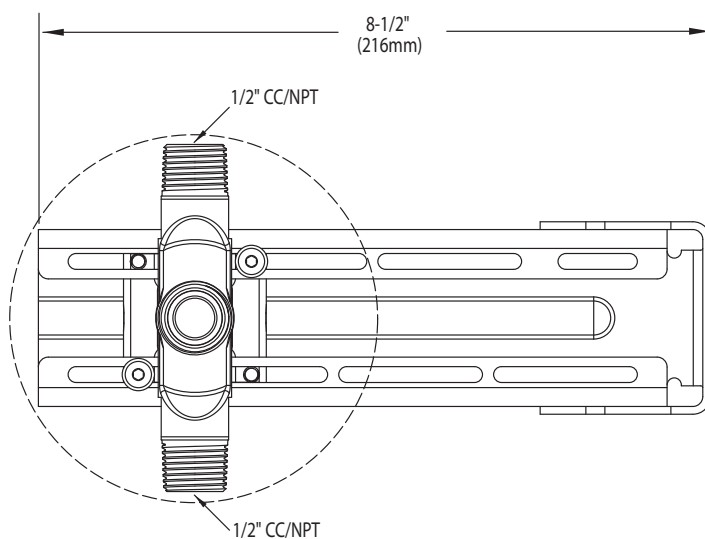
WARRANTY

- Lifetime limited warranty against leaks to the original consumer purchaser
- 5 year warranty if used in commercial installations



Body Spray Rough-In

Model: S1300



CRITICAL DIMENSIONS

(DO NOT SCALE)

FOR MORE INFORMATION CALL: 1-800-BUY-MOEN

www.moen.com



Specifications

Buy it for looks. Buy it for life.®

DESCRIPTION

- Digital thermostatic valve design with 3/4" inlet push fit connections and 1/2" outlet push fit connections

OPERATION

- Temperature range adjustment from 60 degrees F to 120 degrees F (16 degrees C to 49 degrees C). Factory maximum setting is 115 degrees (46 degrees C)
- Must be used with TS3420 or TS295 series
- Valve must be installed in an area that has an access panel
- Electrical power supply requirements 240V/ 50-60Hz or 120V/ 60Hz

FLOW

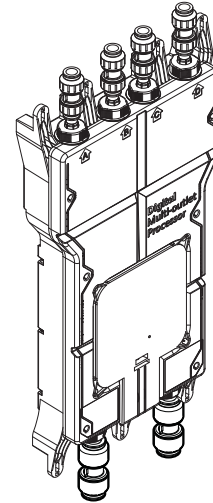
- Designed to deliver 17.5gpm (66 L/min) at 45 psi unrestricted flow. Min flow 2.4 gpm (9.1 L/min)
- Designed to deliver 6.0 gpm (22.7 L/min) at 45 psi (one outlet)

STANDARDS

- Third party certified to meet ASME A112.18.1/CSA B-125.1, CSA B125.3, ASSE 1016, ASSE 1070 and all applicable requirements referenced therein
- Third party certified to meet UL1951
- Third party certified to meet FCC part 15

WARRANTY

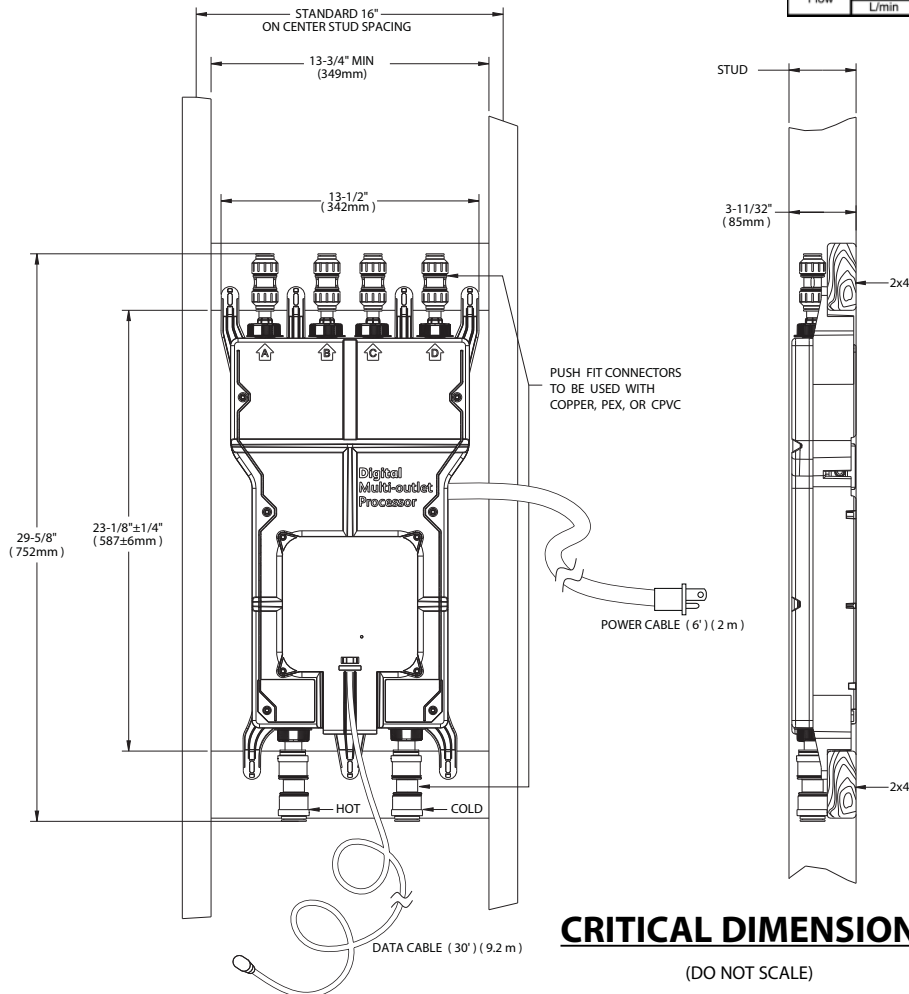
- Lifetime 5 year warranty against leaks, drips and operation defects to the original consumer purchaser
- 1 year warranty if used in commercial installations



ioDIGITAL™ Thermostatic Shower Valve

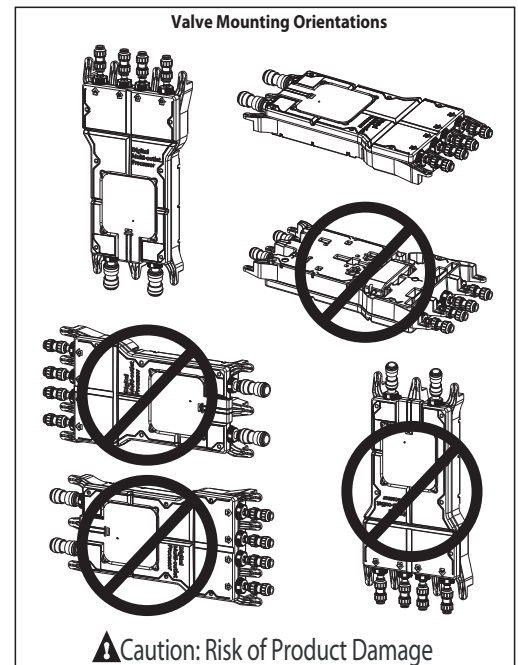
Model: S3384

		Pressure Differential-psi (kPa) (one outlet)							
Pressure	psig	5	10	20	30	45	60	80	100
	kPa	34	69	138	207	310	413	551	689
Flow	gpm	2.53	4.01	4.57	5.68	6.75	7.48	8.2	8.7
	L/min	9.6	15.2	17.3	21.5	25.5	28.3	31.0	32.9



CRITICAL DIMENSIONS

(DO NOT SCALE)





Buy it for looks. Buy it for life.®

Specifications

FAUCET DESCRIPTION

- Metal construction with various finishes identified by suffix
- Immersion™ Rainshower Technology channels water through a spoke design – concentrating and magnifying the natural force of your water to dramatically enhance your shower experience.

OPERATION

- Single function

FLOW

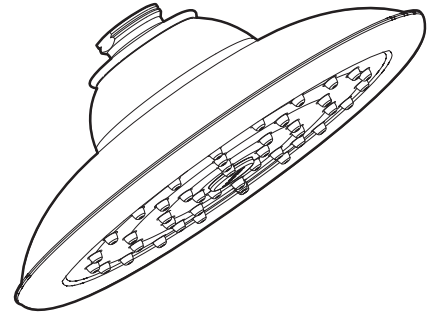
- Showerhead limited to 2.5 gpm (9.5 L/min) at 80 psi
- EP suffix models are limited to 2.0 gpm (7.76 L/min) at 80 psi

STANDARDS

- Third party certified to meet ASME A112.18.1/ CSA B125.1 and all applicable requirements referenced therein
- EP suffix models are IAPMO Green listed and third party certified to WaterSense®

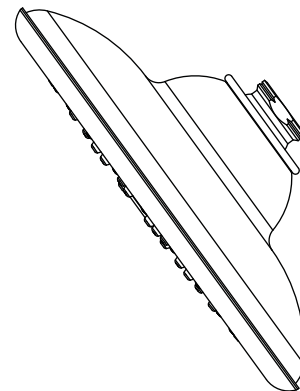
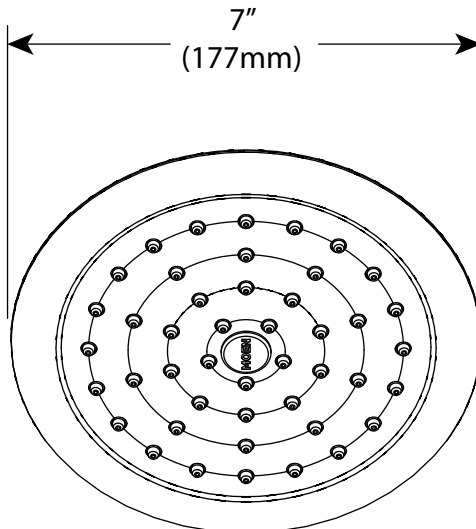
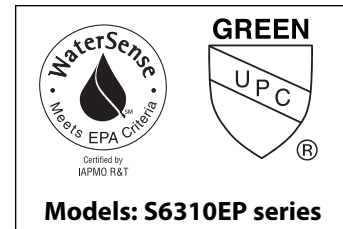
WARRANTY

- Lifetime limited warranty against leaks, drips and finish defects to the original consumer purchaser
- 5 year warranty if used in commercial installations



Single Function Rainfall Showerhead with Immersion™ Rainshower Technology

Models: S6310 series



CRITICAL DIMENSIONS

(DO NOT SCALE)



Buy it for looks. Buy it for life.®

Specifications

DESCRIPTION

- Metal construction with various finishes identified by suffix
- Includes four single-function body sprays
- Includes 7" rainshower showerhead, arm and flange
- Includes four function hand shower with 69" hose assembly, drop ell and slide bar
- Includes digital controller for temperature, flow, & spray outlet on/off control

OPERATION

- Digital Thermostatic control
- Digital control dial controls temperature with LED indicators & numeric readout on LCD screen
- Digital control dial controls the flow rate with LED indicators
- Digital on/off button
- Digital pause button
- Digital spray outlet on/off control with graphics on LCD screen
- 4 digital presents for temperature, flow rate, and spray outlet on/off selections
- Temperature range adjustment from 60 degrees F to 120 degrees F (16 degrees C to 49 degrees C). Factory maximum setting is 115 degrees (46 degrees C)

FLOW

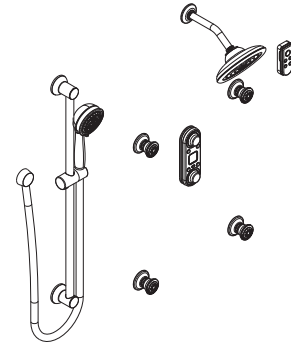
- Showerhead and handshower limited to 2.5 gpm (9.5 L/min)
- Bodysprays limited to 1.75 gpm (6.6 L/min) each

STANDARDS

- Third party certified to meet ASME A112.18.1/CSA B-125.1 and all applicable requirements referenced therein including ASSE 1016
- Digital controller third party certified to meet UL1951
- Digital controller and Remote control third party certified to meet FCC part 15

WARRANTY

- Lifetime limited warranty against finish defects to the original consumer purchaser
- 5 year warranty against leaks, drips and operation defects to the original consumer purchaser
- 5 year warranty against finish defects if used in commercial installations
- 1 year warranty against leaks, drips and operation defects if used in commercial installations



ioDIGITAL™ 3/4" Vertical Spa

Models: TS295 series, TS3420 series

Optional Remote: SA340 series
(Sold separately)

Valve: S3384 (Sold separately)

