

Waterhill™ Technical Specification

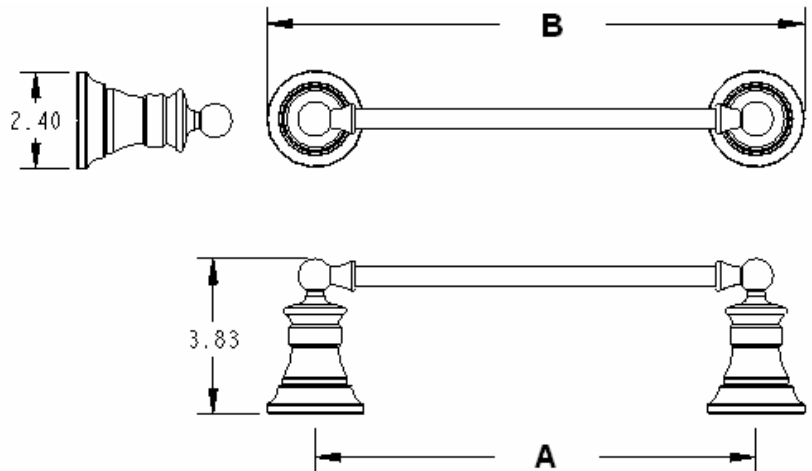
18" & 24" Towel Bar

YB9818 & YB9824

Stock Numbers:

- q **YB9818CH – 18" Towel Bar**
Chrome Finish
- q **YB9824CH – 24" Towel Bar**
Chrome Finish
- q **YB9818BN – 18" Towel Bar**
Brushed Nickel Finish
- q **YB9824BN – 24" Towel Bar**
Brushed Nickel Finish
- q **YB9818WR – 18" Towel Bar**
Wrought Iron Finish
- q **YB9824WR – 24" Towel Bar**
Wrought Iron Finish

Dimensions:



	18"	24"
Dim. A	18.00	20.40
Dim. B	24.00	24.40

Materials:

Towel Bars posts are constructed of zinc. Bar is aluminum.

Installation Instructions:

1. Position the mounting template on the wall in the desired location. Using a level, align the template and tape it to the wall.
2. Remove each mounting post from the body by loosening the setscrew.
3. Place each mounting post on the template with notch facing down.
4. One at a time, place each anchor screw through the mounting post, centered in the hole. Using a Phillips screwdriver, turn the anchor screw while applying pressure. Screw will self drill and tap into drywall.
5. Only insert screw $\frac{1}{2}$ to $\frac{3}{4}$ into wall.
6. After all screws are installed, tear the template away from the wall.
7. Tighten all 4 screws. Do not over tighten.
8. Place skirt over each mounting post. Towel Bars
9. Assemble the Towel bar and posts.
10. While assembled, Position each end post with the setscrew down and place over mounting post. Tighten the setscrew at the bottom of each base.

Cleaning Instructions:

To preserve the fine finish of this product, clean only with a soft damp cloth. Dry well. Do not use commercial or abrasive cleaners.

Stock Number: _____ **Towel Bar**
By Creative Specialties



25300 AL MOEN DRIVE • NORTH OLMSTED, OH 44070
CORPORATE HEADQUARTERS: (800) 321-8809 • FAX: (800) 848-6636
INTERNATIONAL: (440) 962-2000 • FAX: (440) 962-2726
CUSTOMER SERVICE (USA): 800-882-0116 • FAX: (888) 379-2720

©Copyright Creative Specialties International 2004

Literature #BA1187