

Savvy™ Technical Specification

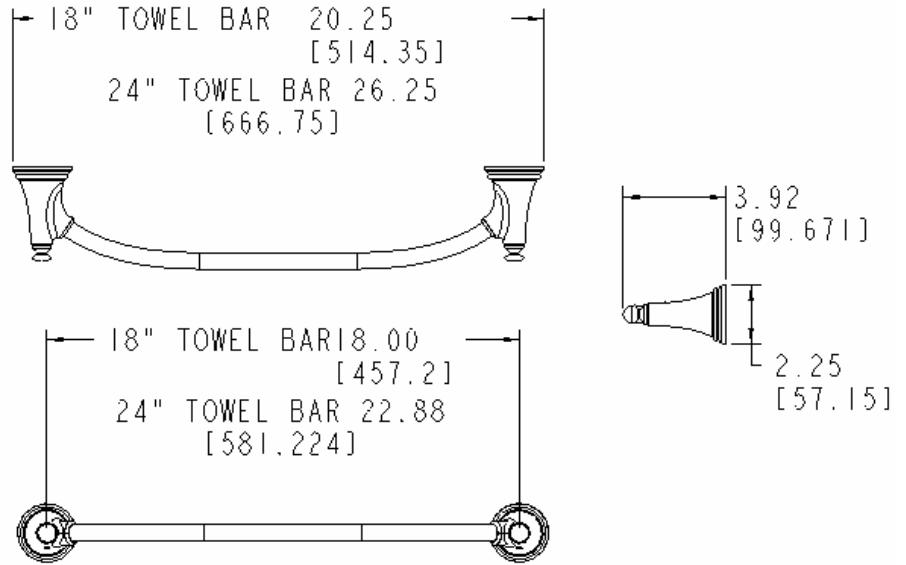
18" & 24" Towel Bars

YB9418 & YB9424

Stock Numbers:

- q **YB9418BB – 18" Towel Bar**
Brushed Bronze Finish
- q **YB9424BB – 24" Towel Bar**
Brushed Bronze Finish
- q **YB9418BN – 18" Towel Bar**
Brushed Nickel Finish
- q **YB9424BN – 24" Towel Bar**
Brushed Nickel Finish
- q **YB9418CH – 18" Towel Bar**
Chrome Finish
- q **YB9424CH – 24" Towel Bar**
Chrome Finish

Dimensions:



Materials:

Towel Bar is constructed of zinc.

Installation Instructions:

1. Position the mounting template on the wall in the desired location. Using a level, align the template and tape it to the wall.
2. Remove each mounting post from the body by loosening the setscrew.
3. Place each mounting post on the template with notch facing down.
4. Drill 1/4" holes at the center of each oval marked location.
5. Remove the template from the wall and insert the wall anchors (provided) into each drilled hole.
6. Place the mounting plate on the wall over the installed wall anchors. Insert screws through the mounting plate into the anchors. Tighten the screws.
7. Assemble the towel bar and posts.
8. While assembled, position each end post with the setscrew down and place over mounting post. Tighten the setscrew at the bottom of each base.

Cleaning Instructions:

To preserve the fine finish of this product, clean only with a soft damp cloth. Dry well. Do not use commercial or abrasive cleaners.

Stock Number: _____ **Towel Bar**
By Creative Specialties



25300 AL MOEN DRIVE • NORTH OLMSTED, OH 44070
CORPORATE HEADQUARTERS: (800) 321-8809 • FAX: (800) 848-6636
INTERNATIONAL: (440) 962-2000 • FAX: (440) 962-2726
CUSTOMER SERVICE (USA): 800-882-0116 • FAX: (888) 379-2720
WWW.SHOWHOUSE.MOEN.COM

©Copyright Creative Specialties International 2006

Literature # BA1378