

# Kingsley Technical Specification

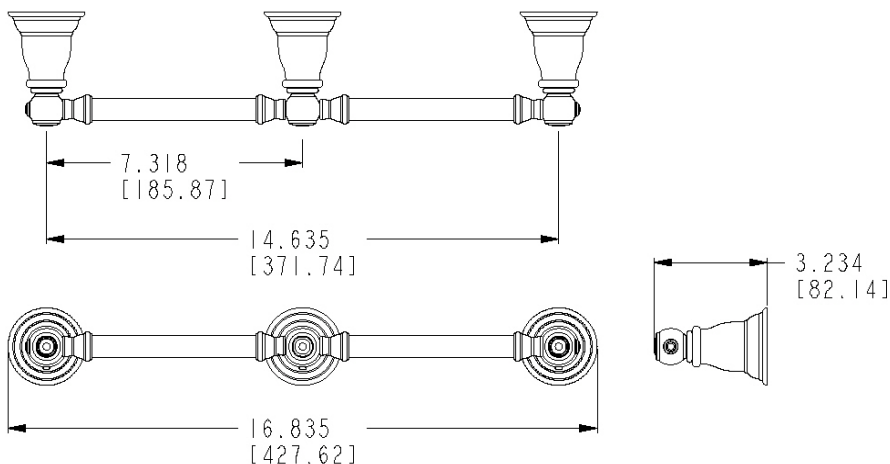
## Three Post Paper Holder

# YB5488

### Stock Numbers:

- q YB5488CH – Three Post Paper Holder  
Chrome Finish

### Dimensions:



### Materials:

Three Post Paper Holder is constructed of zinc.

### Installation Instructions:

1. Remove the mounting post from the body by loosening the set screw.
2. Position the mounting template on the wall in the desired location. Using a level, align the template and tape it to the wall.
3. Place each mounting post on the template.
4. One at a time, place each anchor screw through the mounting plate, centered in the large hole. Using a Phillips screwdriver, turn the anchor screw while applying pressure. Screw will self-drill and tap into drywall.
5. Only insert screw  $\frac{1}{2}$ " to  $\frac{3}{4}$ " into drywall.
6. After all screws are installed, tear the template away from wall.
7. Tighten all 4 screws. Do not over tighten.
8. Place each post over the mounting plate (set screw down).

### Cleaning Instructions:

To preserve the fine finish of this product, clean only with a soft damp cloth. Dry well. Do not use commercial or abrasive cleaners.

**Stock Number:** \_\_\_\_\_ **Three Post Paper Holder**  
**By Creative Specialties**



25300 AL MOEN DRIVE • NORTH OLMS TED, OH 44070  
CORPORATE HEADQUARTERS: (800) 321-8809 • FAX: (800) 848-6636  
INTERNATIONAL: (440) 962-2000 • FAX: (440) 962-2726  
CUSTOMER SERVICE (USA): 800-882-0116 • FAX: (888) 379-2720  
WWW.CSI.MOEN.COM

©Copyright Creative Specialties International 2006

Literature #BA1458