

Moen® Technical Specification

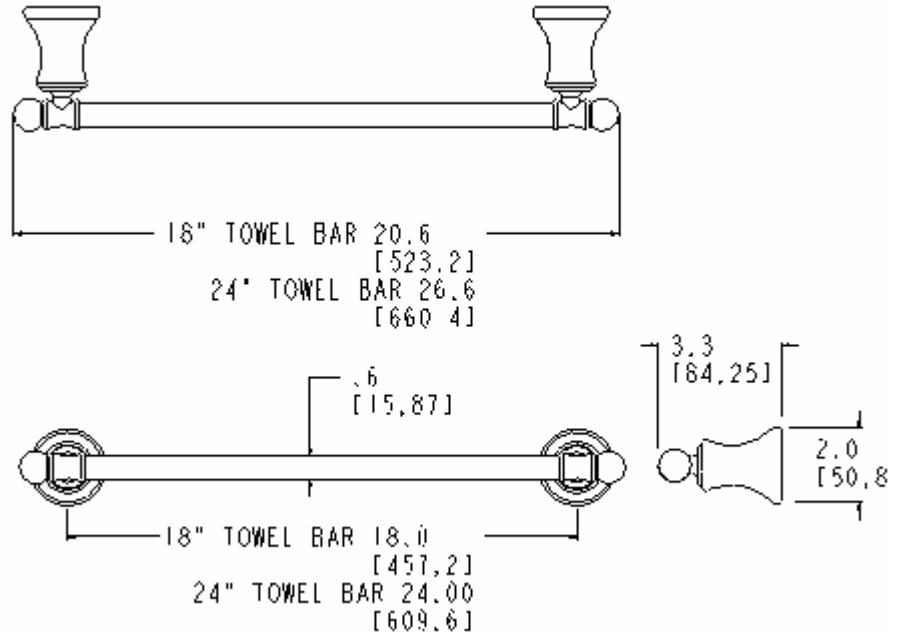
18" & 24" Towel Bar

Y4418 & Y4424

Stock Numbers:

- q **Y4418BN – 18" Towel Bar**
Brushed Nickel Finish
- q **Y4424BN – 24" Towel Bar**
Brushed Nickel Finish
- q **Y4418CH – 18" Towel Bar**
Chrome Finish
- q **Y4424CH – 24" Towel Bar**
Chrome Finish
- q **Y4418ORB – 18" Towel Bar**
Oil Rubbed Bronze Finish
- q **Y4424ORB – 24" Towel Bar**
Oil Rubbed Bronze Finish

Dimensions:



Materials:

Towel bar posts are constructed of zinc. Bar is aluminum.

Installation Instructions:

1. Remove the mounting bracket from the body by loosening the setscrew.
2. Position the mounting template on the wall in the desired location. Using a level, align the template and tape it to the wall.
3. Drill 1/4" holes at the center of each oval marked location.
4. Remove the template from the wall and insert the wall anchors (provided) into each drilled hole.
5. Place the mounting plate on the wall over the installed wall anchors. Insert screws through the mounting plate into the anchors. Tighten the screws.
6. Assemble the towel bar and posts.
7. While assembled, position each end post with the setscrew down and place over mounting posts. Tighten the setscrew

Cleaning Instructions:

To preserve the fine finish of this product, clean only with a soft damp cloth. Dry well. Do not use commercial or abrasive cleaners.

Stock Number: _____ Towel Bar
By Creative Specialties



25300 AL MOEN DRIVE • NORTH OLMDSTED, OH 44070
CORPORATE HEADQUARTERS: (800) 321-8809 • FAX: (800) 848-6636
INTERNATIONAL: (440) 962-2000 • FAX: (440) 962-2726
CUSTOMER SERVICE (USA): 800-882-0116 • FAX: (888) 379-2720

©Copyright Creative Specialties International 2005

Literature #BA1306