

DESCRIPTION

- Metal construction with chrome plated, LifeShine® brushed nickel, and oil rubbed bronze finishes
- 3/4" IPS connection
- Includes 7" rainshower showerhead, arm and flange
- For use with S936 3/4" thermostatic and S956 volume control valves with integral checkstops

OPERATION

- Flow lever operates counterclockwise through a 90 degree arc with off at 6 o'clock and maximum flow at the 3 o'clock position. Shut off in clockwise direction
- Temperature lever operates through a 340 degree arc with maximum cold at full clockwise rotation and maximum hot at full counterclockwise rotation
- Safety stop preset temperature at 105 degrees F (41degrees C)
- Safety stop override allows maximum temperature at 120 degrees F (49 degrees C)
- Factory established temperature range from 70 degrees F (21 degrees C) to 120 degrees F (49 degrees C)

FLOW

- Showerhead is limited to 2.5 gpm (9.5 L/min)

CARTRIDGE

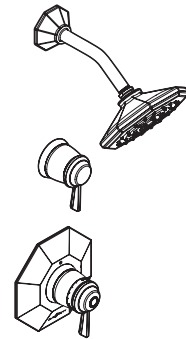
- 130156 thermostatic cartridge design with non metallic/nonferrous materials
- 130157 volume ceramic disc cartridge design

STANDARDS

- Third party certified to meet CSA B-125, ASME A112.18.1M and all applicable requirements referenced therein including ASSE1016

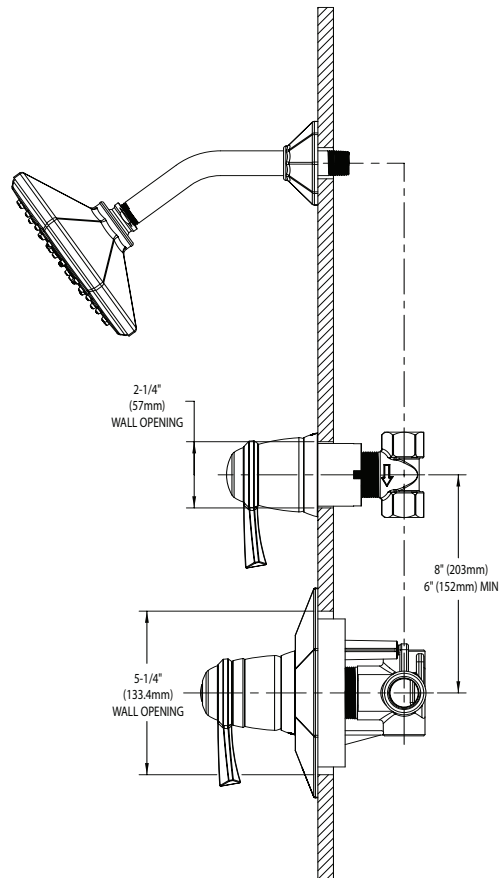
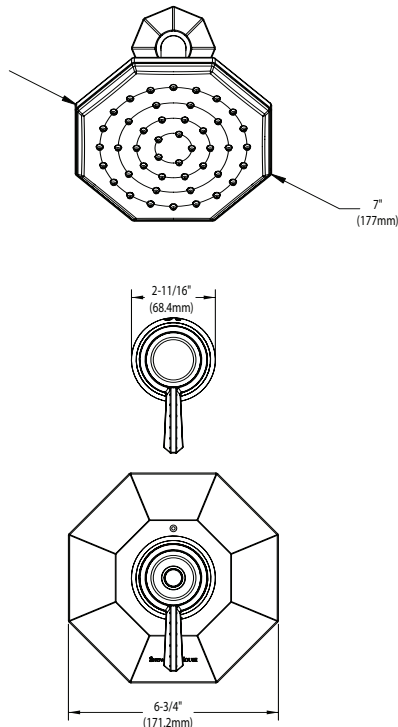
WARRANTY

- Lifetime limited warranty against leaks, drips and finish defects to the original consumer purchaser
- 5 year warranty if used in commercial installation



Felicity™
ExactTemp® 3/4" Thermostatic
Shower Trim

Models: TS3412, TS3412BN, TS3412ORB



CRITICAL DIMENSIONS

(DO NOT SCALE)