

**DESCRIPTION**

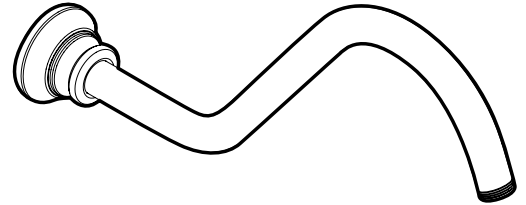
- Metal construction with chrome plated, LifeShine® brushed nickel, LifeShine® polished nickel, wrought iron or oil rubbed bronze finish

**STANDARDS**

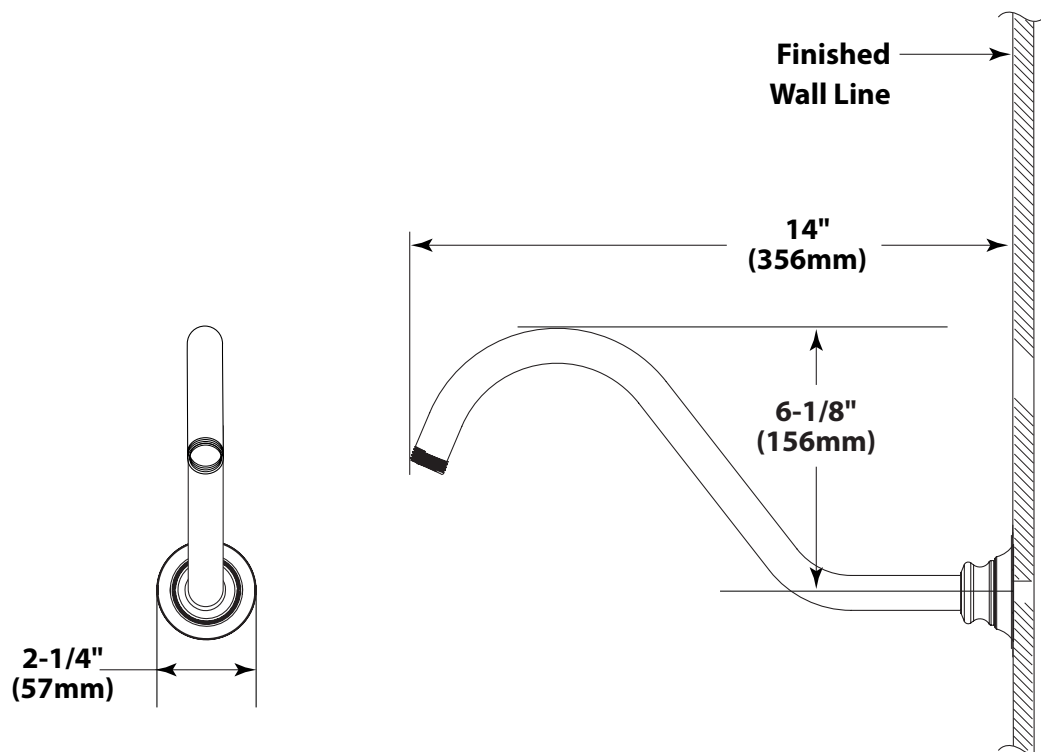
- Third party certified to CSA B125, ASME A112.18.1M, ANSI A117.1, ASSE 1016, and all applicable requirements referenced therein

**WARRANTY**

- Lifetime limited warranty against leaks, drips and finish defects to the original consumer purchaser
- 5 year warranty if used in commercial installations



**Waterhill™  
Shower Arm**  
Models: S113, S113BN, S113ORB,  
S113NL, S113WR



**CRITICAL DIMENSIONS**

(DO NOT SCALE)