

Stockton Technical Specification

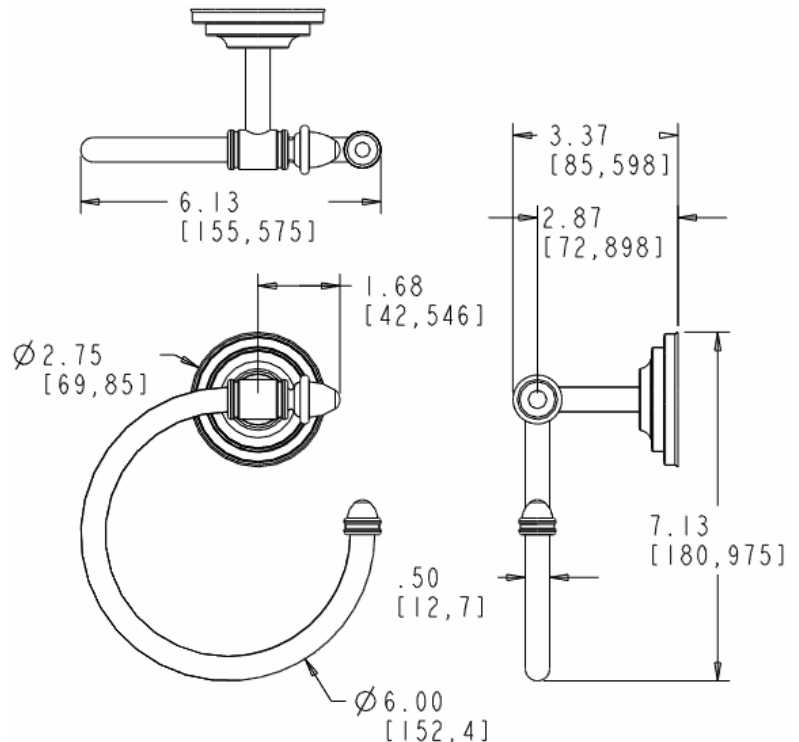
Towel Ring

DN4186

Stock Numbers:

- q **DN4186CH – Towel Ring**
Chrome Finish
- q **DN4186BN – Towel Ring**
Brushed Nickel Finish
- q **DN4186AN – Towel Ring**
Antique Nickel Finish

Dimensions:



Materials:

Towel Ring post and end cap are constructed of zinc. Ring is brass.

Installation Instructions:

1. Position the mounting plate on the wall at desired location. Large slots to be top and bottom. Small holes to be right and left.
2. One at a time, place each anchor screw through the mounting post, centered in the large slot hole. Using a Phillips screwdriver, turn the anchor screw while applying pressure. Screw will self drill and tap into drywall. Do not over tighten.
3. Place assembly over the mounting post, setscrew facing down.
4. Tighten setscrew.

Cleaning Instructions:

To preserve the fine finish of this product, clean only with a soft damp cloth. Dry well. Do not use commercial or abrasive cleaners.

Stock Number: _____ Towel Ring
By CSI Bath Furnishings

