

Sienna™ Technical Specification

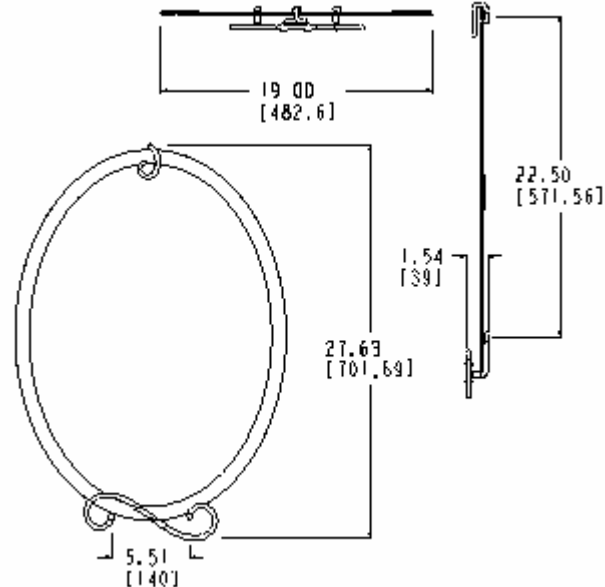
Oval Mirror

DN4992

Stock Numbers:

- q DN4992BK – Oval Mirror
Black Finish

Dimensions:



Materials:

Oval Mirror brackets are constructed of steel and mirror is constructed of 5MM thick glass.

Installation Instructions:

Directions below are for installation into drywall. If installing product into a stud, use the wood screws only.

1. Position the mounting template on the wall in the desired location.
2. Using a level, align the template and tape it to the wall.
3. Drill three 5/16" holes as indicated on template
4. Remove the template from the wall.
5. Fold ends of the plastic toggle together and insert into each hole in the wall.
6. Lightly tap anchors until flush with the wall.
7. One at a time, insert plastic pin into each of the anchors and lightly tap to activate anchor. Remove pin and repeat on all anchors.
8. Mount mirror brackets to wall by inserting screws through the holes in the brackets into the anchors.
9. Place mirror into the bottom bracket and rotate into place behind the top bracket.

Cleaning Instructions:

To preserve the fine finish of this product, clean only with a soft damp cloth. Dry well. Do not use commercial or abrasive cleaners.

Stock Number: _____ Oval Mirror
By Creative Specialties



25300 AL MOEN DRIVE • NORTH OLMS TED, OH 44070
CORPORATE HEADQUARTERS: (800) 321-8809 • FAX: (800) 848-6636
INTERNATIONAL: (440) 962-2000 • FAX: (440) 962-2726
CUSTOMER SERVICE (USA): 800-882-0116 • FAX: (888) 379-2720

©Copyright Creative Specialties International 2006

Literature #BA1352