

# Sienna Technical Specification

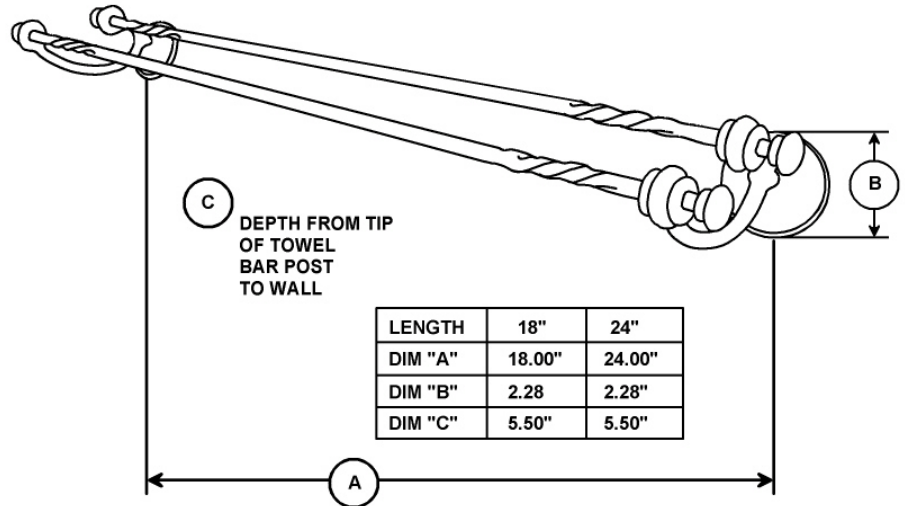
## Double Towel Bar

# DN4922

### Stock Numbers:

- q **DN4922BK – 24” Double Towel Bar**  
Black Finish
- q **DN4922NTL – 24” Double Towel Bar**  
Natural Finish

### Dimensions:



### Materials:

**Double Towel Bar** is constructed of wrought iron. Black finish is powder coated. Natural finish is painted and has an acrylic coating for added protection.

### Installation Instructions:

1. Position the mounting template on the wall in the desired location. Using a level, align the template and tape it to the wall.
2. Remove the mounting bracket from the body by loosening the setscrew.
3. Place each mounting plate on the template with "UP" facing you.
4. One at a time, place each anchor screw through the mounting plate, centered in each large hole. Using a Phillips screwdriver, turn the anchor screw while applying pressure. Screw will self drill and tap into drywall. Do not over tighten.
5. Only insert screw 1/2 to 3/4 of the way into wall.
6. After all screws are installed, tear the template away from the wall
7. Tighten all 4 screws. Do not over tighten.
8. Assemble the towel bar and posts.
9. While assembled, position each end post with the setscrew down and place over both mounting plates. Tighten the setscrew at the bottom of each base.

### Cleaning Instructions:

To preserve the fine finish of this product, clean only with a soft damp cloth. Dry well. Do not use commercial or abrasive cleaners.

**Stock Number:** \_\_\_\_\_ **Towel Bar**  
By CSI Bath Furnishings

