

Sienna Technical Specification

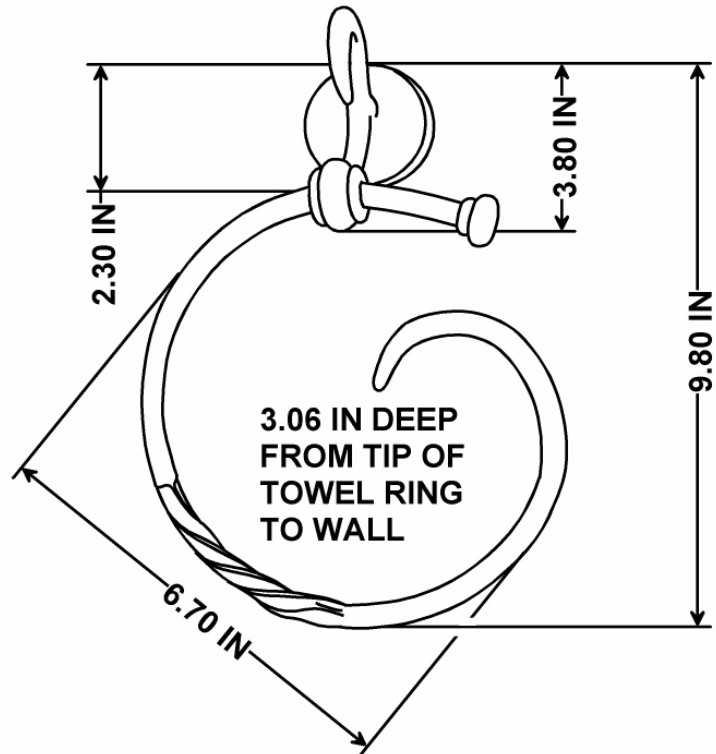
Towel Ring

DN4986

Stock Numbers:

- q **DN4986BK – Towel Ring**
Black Finish
- q **DN4986NTL – Towel Ring**
Natural Finish
- q **DN4986AN – Towel Ring**
Antique Nickel Finish

Dimensions:



Materials:

Towel Ring is constructed of wrought iron. Black finish is powder coated. Natural finish is painted and has an acrylic coating for added protection.

Installation Instructions:

1. Remove the mounting bracket from the body by loosening the setscrew.
2. Position the assembled unit on the wall where desired.
3. Lightly mark the outline of each base.
4. Center a mounting bracket within the base outline with "UP" facing you.
5. One at a time, place each anchor screw through the mounting plate, centered in each large hole. Using a Phillips screwdriver, turn the anchor screw while applying pressure. Screw will self drill and tap into drywall. Do not over tighten.
6. Place the post with the setscrew down, over mounting bracket. Tighten the setscrew at the bottom of the base.

Cleaning Instructions:

To preserve the fine finish of this product, clean only with a soft damp cloth. Dry well. Do not use commercial or abrasive cleaners.

Stock Number: _____ **Towel Ring**
By CSI Bath Furnishings

