

DESCRIPTION

- Metal construction with Chrome plated or Classic Brushed Nickel finish
- Brass or copper waterways
- 1/2" IPS shanks
- Supplied with vandal resistant screws

OPERATION

- Lever style handles with hot and cold color indicators
- Hot side counterclockwise To open (clockwise to close)
- Cold side clockwise to open (counterclockwise to close)

FLOW

- Aerator is limited to 1.5 gpm max (5.7 L/min)

CARTRIDGE

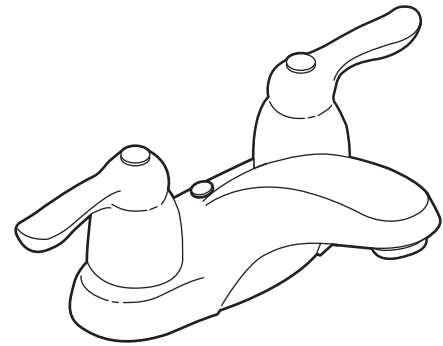
- 1224 cartridge design
- Nonmetallic and stainless steel material

STANDARDS

- Third party certified to meet WaterSense® (only applies to 1.5 gpm) ASME A112.18.1/CSA B-125.1 and all applicable specifications referenced therein
- Certified to NSF 61/9
- Contains no more than 0.25% weighted average lead content
- Complies with California Proposition 65 and with the Federal Safe Drinking Water Act
- **ADA** for lever handle

WARRANTY

- Warranted for 5 years against material or manufacturing defects



Two-Handle Lavatory Faucet

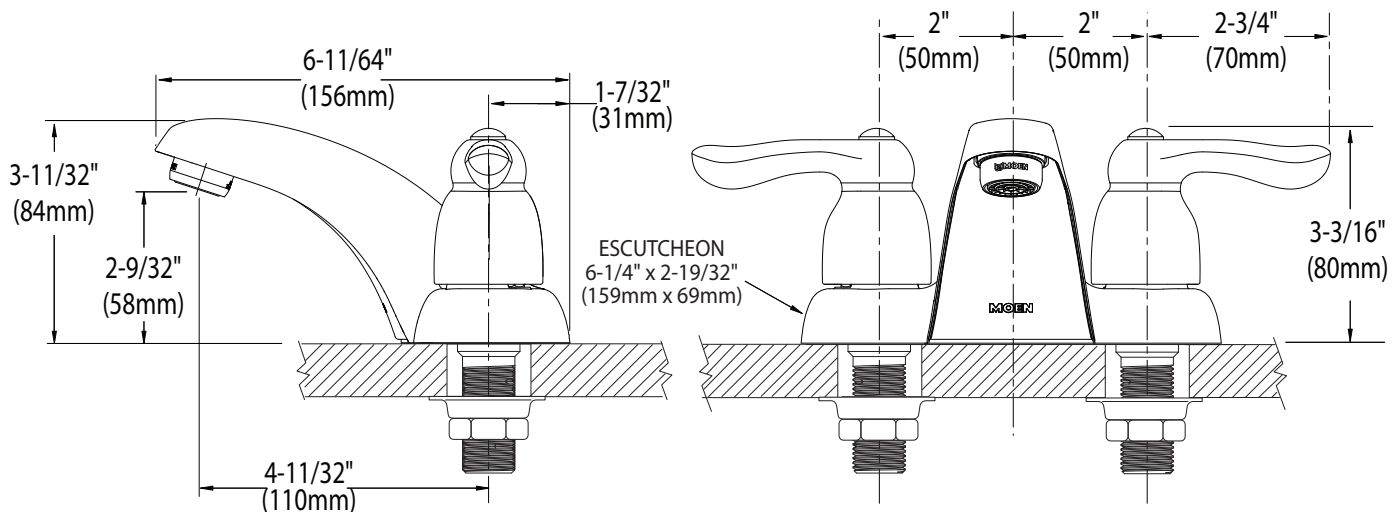
MODEL	FLOW (gpm)	DRAIN	FINISH	WATERSENSE CERTIFIED
8917	1.5	Metal	Chrome	x
8917CBN	1.5	Metal	CBN	x
8915	1.5	Without	Chrome	x
8915CBN	1.5	Without	CBN	x

CBN-Classic Brushed Nickel



See table above

NOTE: Designed to install through 3-1" min. dia. holes 2" on center



CRITICAL DIMENSIONS

(DO NOT SCALE)