

FAUCET DESCRIPTION

- Metal construction with chrome plated, decorative glacier, ivory or LifeShine® stainless finish

OPERATION

- Lever style handle
- Will operate with less than 5 lbs. of force

FLOW

- Flow is limited to 2.2 gpm

CARTRIDGE

- 1224 cartridge design
- Nonmetallic, nonferrous and stainless steel material

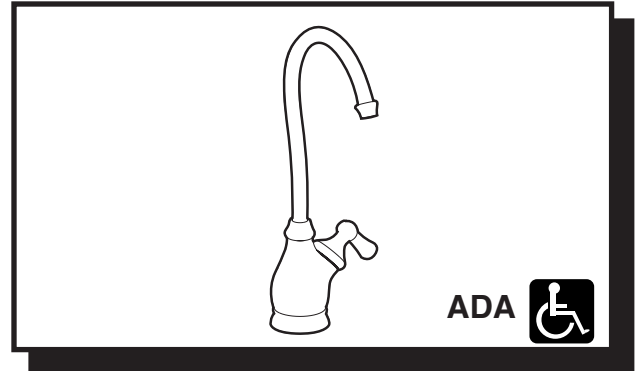
STANDARDS

- Third party certified to CSA B125, ASME A112.18.1, ICC/ANSI A117.1 and all applicable requirement referenced therein
- Certified to ANSI/NSF 61/9
- Complies with California Proposition 65 and with the Safe Drinking Water Act

WARRANTY

Faucet

- Lifetime limited warranty against leaks, drips and finish defects to the original consumer purchaser
- 5 year warranty if used in commercial installations

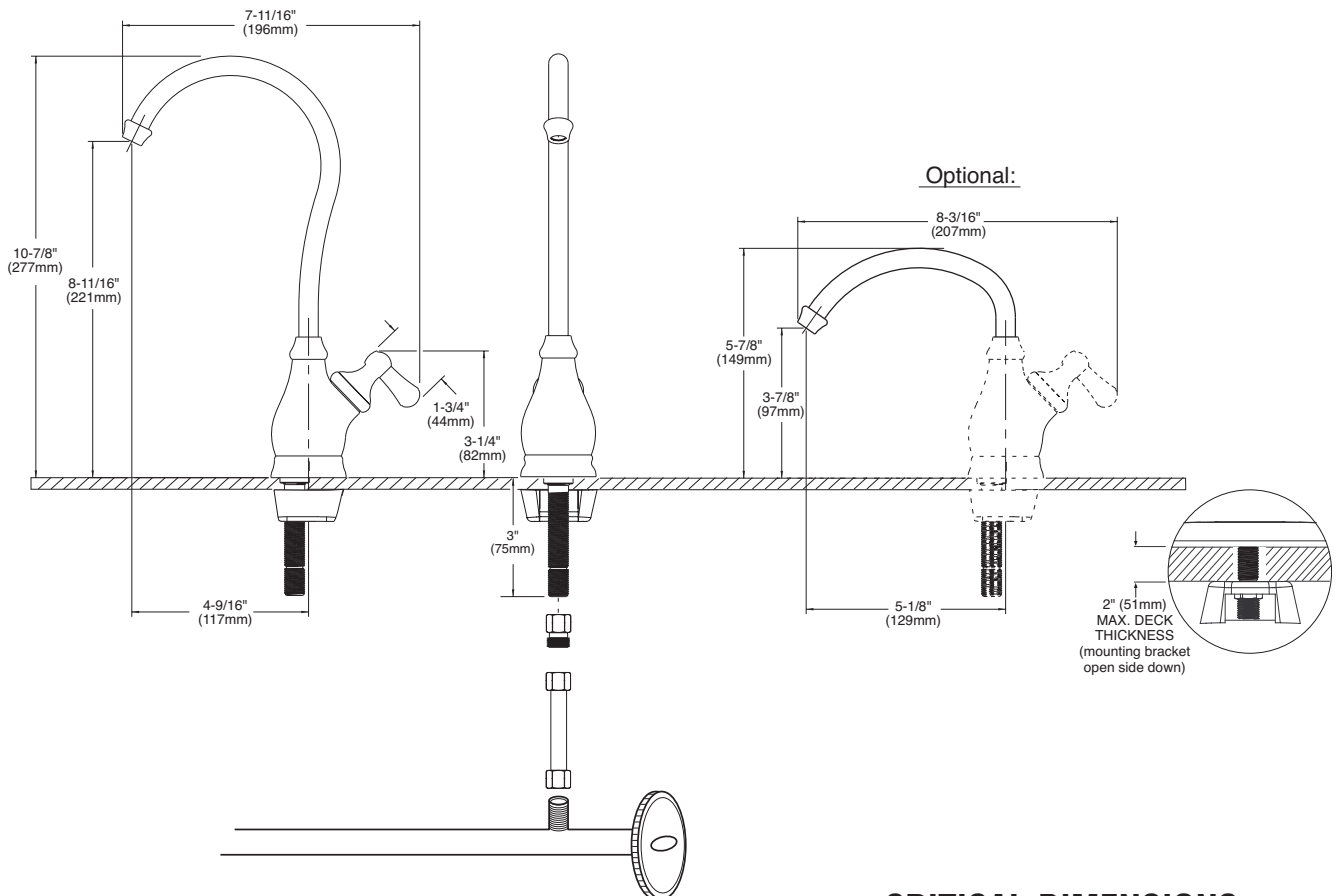


AquaSuite™ Butler Faucet

Models: 85800, 85800W, 85800V, 85800SL

NOTE: See reverse side for illustrated parts

NOTE: DESIGNED TO INSTALL THROUGH A 1" HOLE DIA.



CRITICAL DIMENSIONS

(DO NOT SCALE)