

## DESCRIPTION

- Brass construction with chrome plated finish
- 4" centerset
- 1/2" IPS connections

## OPERATION

- Lever handles with hot and cold color indicators
- Vandal resistant torx head screws


## FLOW

- Aerator is limited to 2.2 GPM max (8.3L /min)

## CARTRIDGE

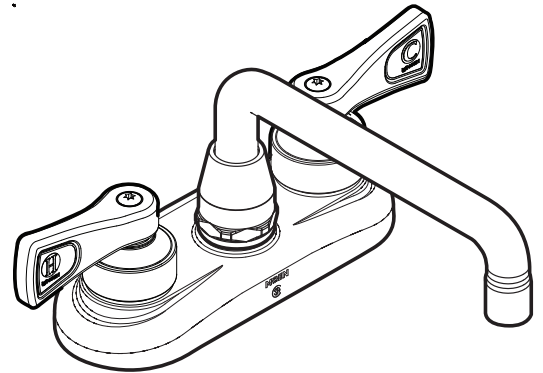
- Brass shell, ceramic disc cartridge
- 1/4 turn operation

## STANDARDS

- Third party certified to ASME A112.18.1/CSA B-125.1 and all applicable specifications referenced therein
- Certified to NSF 61/9
- Contains no more than 0.25% weighted average lead content
- Complies with California Proposition 65 and with the Federal Safe Drinking Water Act
- **ADA**  for lever handles

## WARRANTY

- Warranted for 5 years against material or manufacturing defects

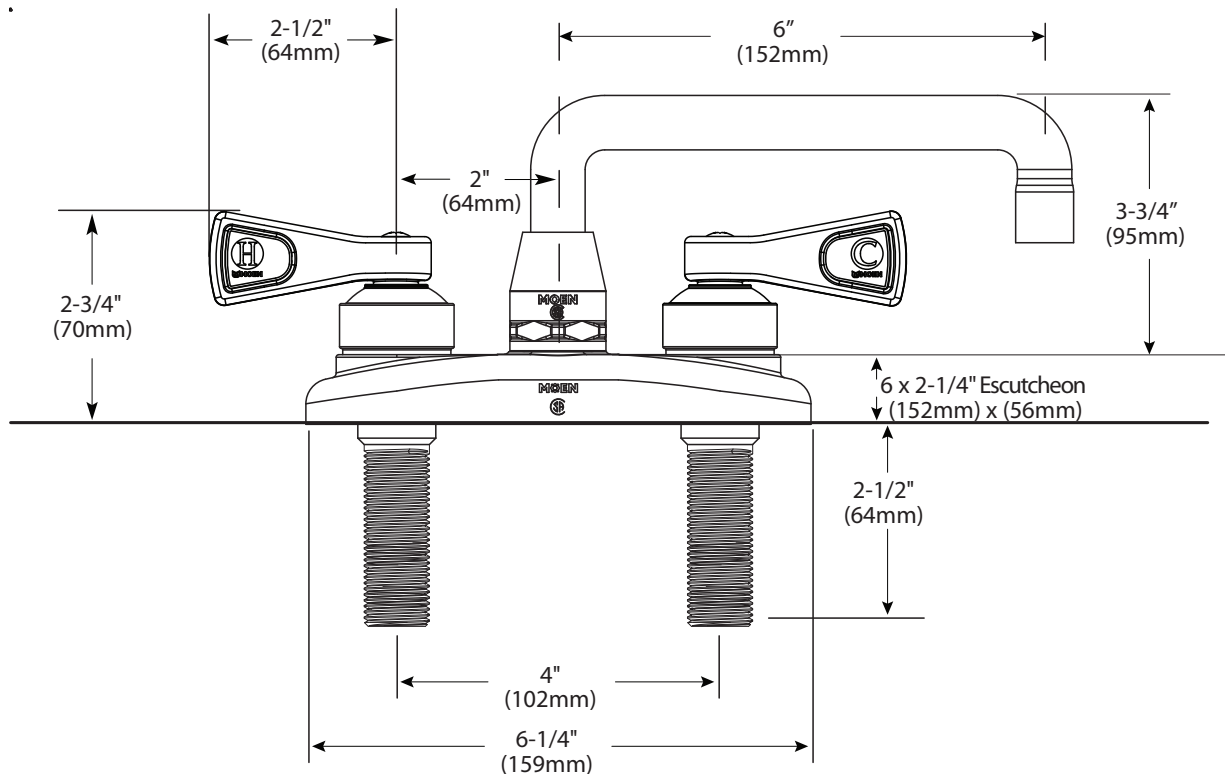


## Two-Handle Bar/Pantry Faucet

Model: 8273



**NOTE:** Designed to be installed through 2 holes - 1" min. dia.



## CRITICAL DIMENSIONS

(DO NOT SCALE)