



Buy it for looks. Buy it for life.®

# Specifications

## FAUCET DESCRIPTION

- Metal construction with various finishes identified by suffix
- High arc spout provides the height and reach to fill or clean large pots
- Single hole mounting
- Flexible supply lines with 3/8" compression fittings
- 360° rotating spout

## OPERATION

- Single handle lever
- Temperature controlled by 100° arc of handle travel

## FLOW

- Spout flow is limited to 1.5 gpm (5.7 L/min) at 60 psi

## CARTRIDGE

- 1255™ Duralast™ cartridge for Single-Handle Faucets

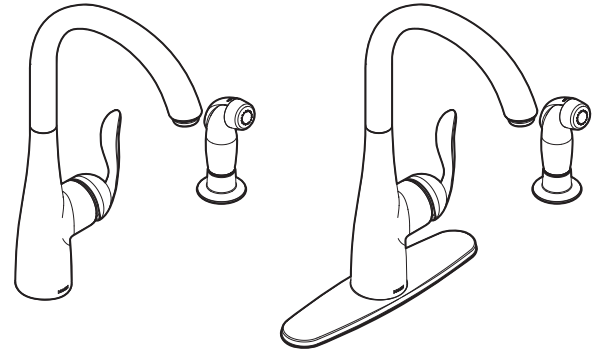
## STANDARDS

- Third party certified to IAPMO Green, ASME A112.18.1/CSA B125.1 and all applicable requirements referenced therein including NSF 61/9
- Meets Calgreen and Georgia SB370 requirements
- Complies with California Proposition 65 and with the Federal Safe Drinking Water Act

- **ADA**  for lever handle

## WARRANTY

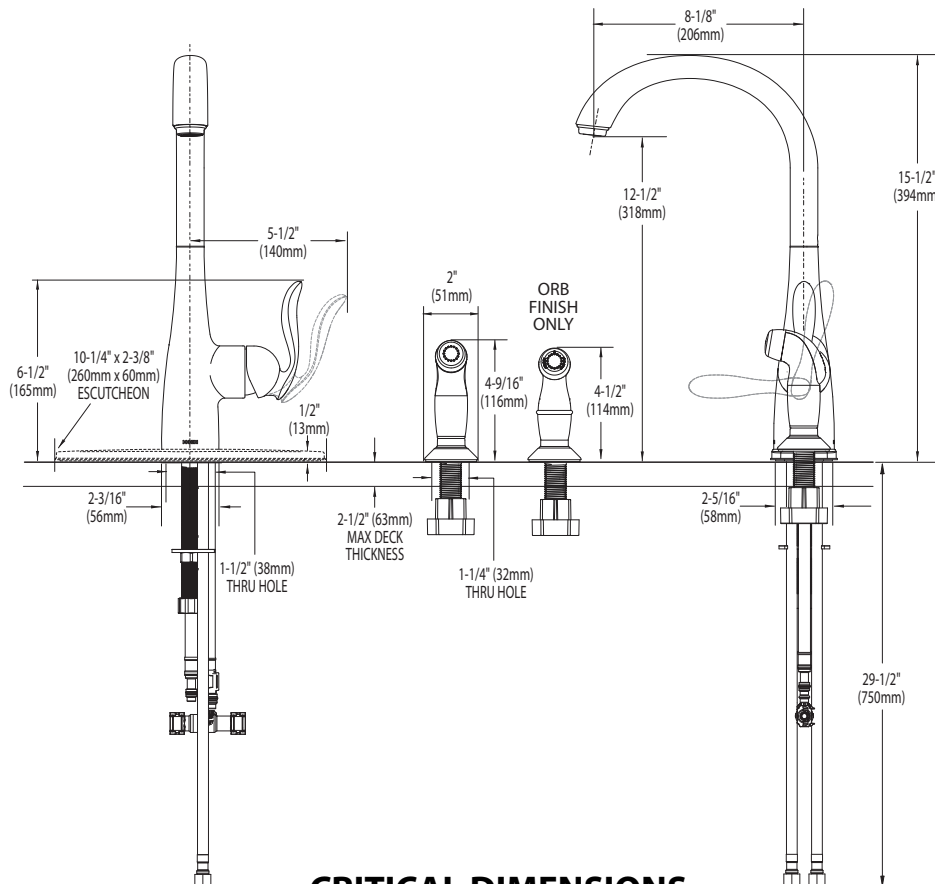
- Lifetime limited warranty against leaks, drips and finish defects to the original consumer purchaser
- 5 year warranty if used in commercial installations



## ARBOR™ Single Handle Single Hole Mount High Arc Kitchen Faucet

Models: 7790 series with spray

**NOTE:** THIS FAUCET IS DESIGNED TO BE INSTALLED THRU 2 HOLES: A 1-1/2" (38MM) MIN. DIA. HOLE FOR VALVE AND A 1-1/4" (32MM) MIN. DIA. HOLE FOR SIDE SPRAY.



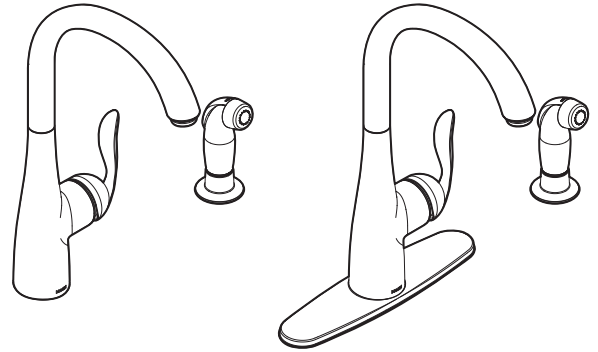
## CRITICAL DIMENSIONS

(DO NOT SCALE)



Buy it for looks. Buy it for life.®

# Specifications



## ARBOR™

### Single Handle Single Hole Mount High Arc Kitchen Faucet

Models: 7790 series with spray

**NOTE:** THIS FAUCET IS DESIGNED TO BE INSTALLED THRU 2 HOLES: A 1-1/2" (38MM) MIN. DIA. HOLE FOR VALVE AND A 1-1/4" (32MM) MIN. DIA. HOLE FOR SIDE SPRAY.

#### FAUCET DESCRIPTION

- Metal construction with various finishes identified by suffix
- High arc spout provides the height and reach to fill or clean large pots
- Single hole mounting
- Flexible supply lines with 3/8" compression fittings
- 360° rotating spout

#### OPERATION

- Single handle lever
- Temperature controlled by 100° arc of handle travel


#### FLOW

- Spout flow is limited to 2.0 gpm (7.6 L/min) at 60 psi

#### CARTRIDGE

- 1255™ Duralast™ cartridge for Single-Handle Faucets

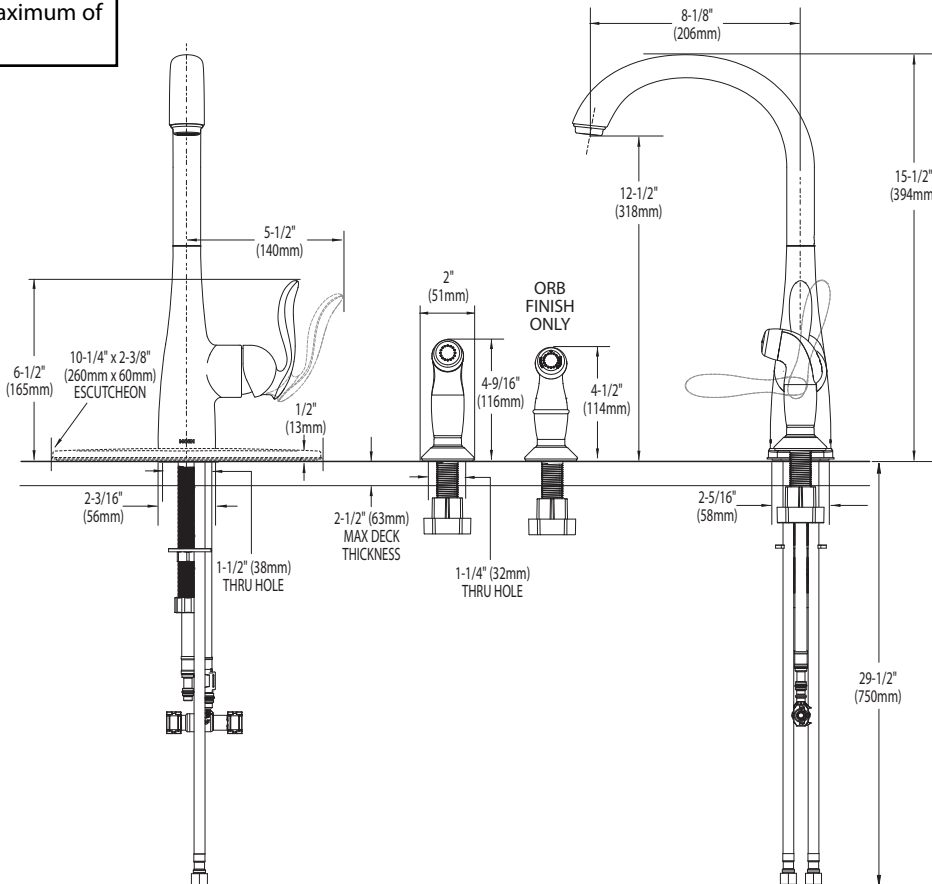
#### STANDARDS

- Third party certified to ASME A112.18.1/CSA B125.1 and all applicable requirements referenced therein including NSF 61/9
- Complies with California Proposition 65 and with the Federal Safe Drinking Water Act
- **ADA**  for lever handle

#### WARRANTY

- Lifetime limited warranty against leaks, drips and finish defects to the original consumer purchaser
- 5 year warranty if used in commercial installations

The use of aerator part 116711 reduces flow to a maximum of 1.5 gpm (5.7L/min.)



### CRITICAL DIMENSIONS

(DO NOT SCALE)